

THIS DRAWING IS UNPUBLISHED.

RELEASED FOR PUBLICATION

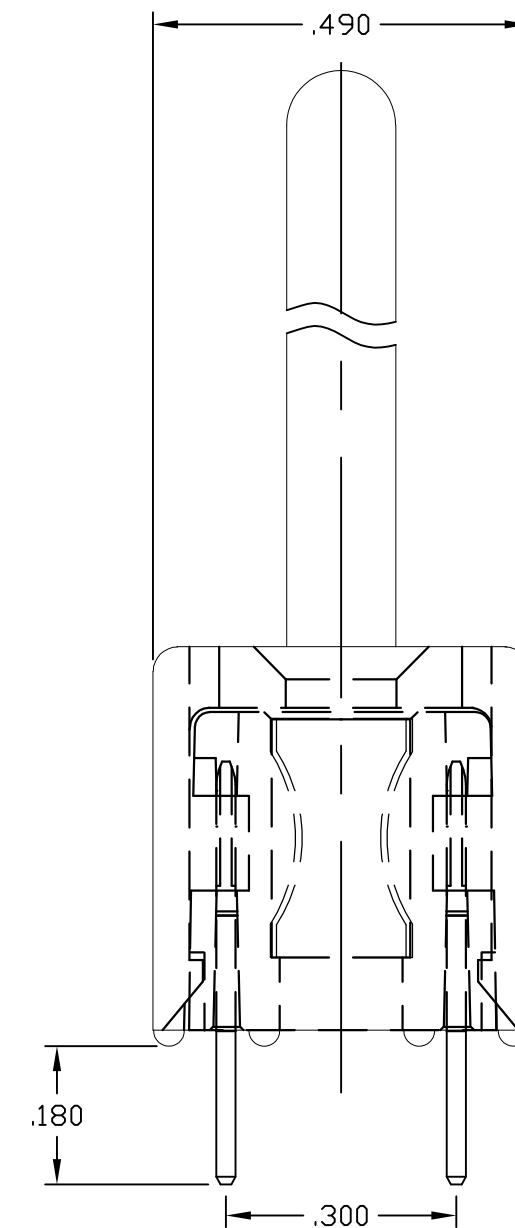
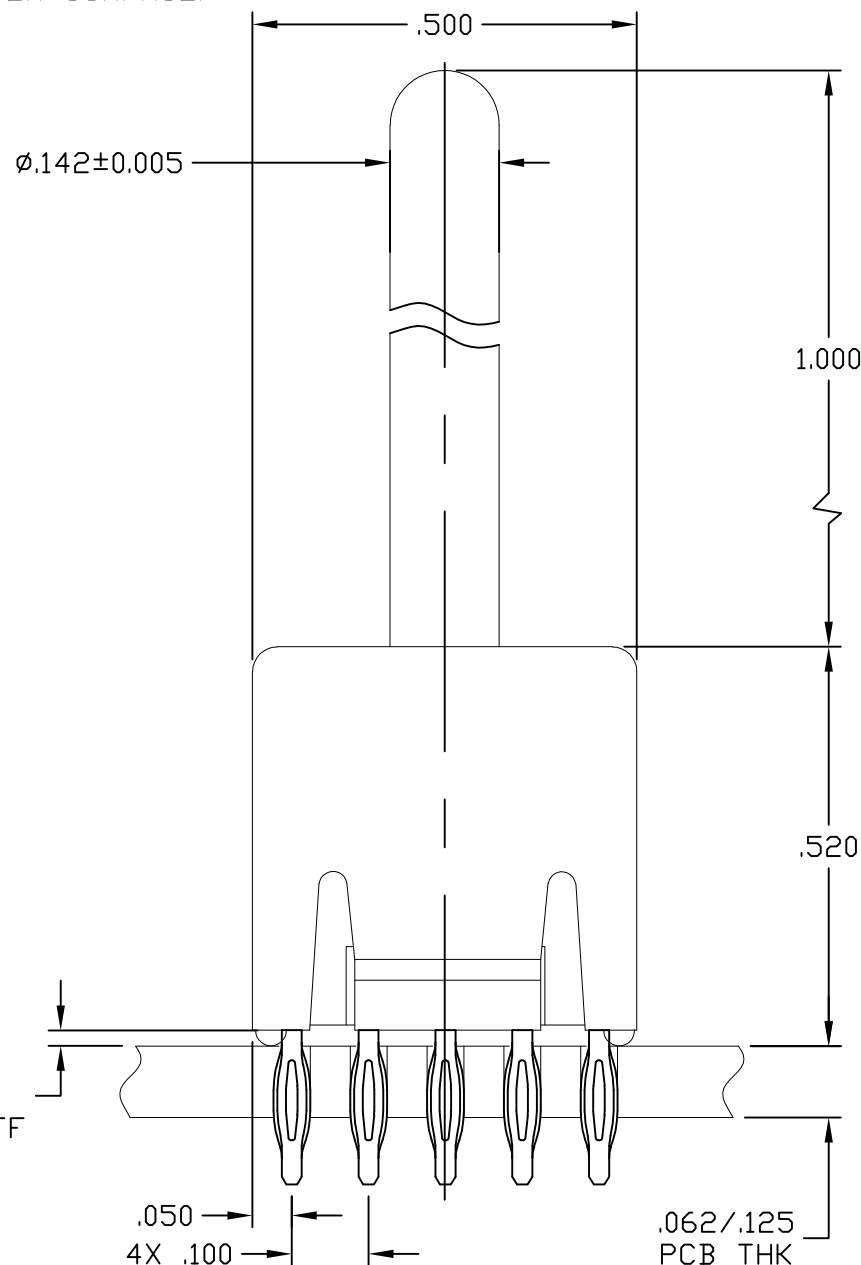
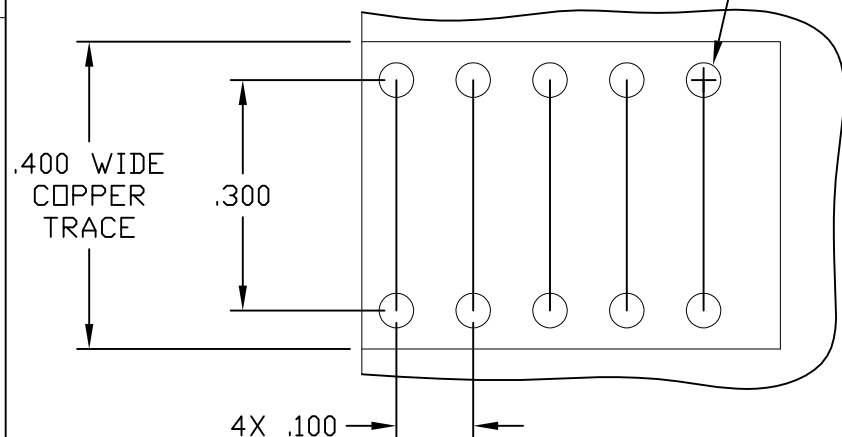
ALL RIGHTS RESERVED.

LOC GP DIST 00

REVISIONS

P	LTR	DESCRIPTION	DATE	DWN	APVD
C		REV PER ECO-11-007678	11JUL2011	RG	DO

RECOMMENDED PRINTED CIRCUIT HOLE  
 COMPLIANT PRESS FIT  
 DRILLED HOLE:  $\phi 0.0453 \pm 0.0005$   
 COPPER PLATE: .0010 - .0020 (PER SURFACE)  
 TIN PLATE: .00002 MINIMUM (PER SURFACE)  
 10X



5. FOR APPLICATIONS UTILIZING AN IMMERSION SILVER PLATED PCB. CONSULT TYCO ENGINEERING.

4. FINISHES:

CROWN: GOLD PLATED, .000030 MIN THICK  
 OVER NICKEL PLATED, .000040 MIN THICK.

INSERT: SILVER PLATED, .000200 MIN THICK,  
 OVER NICKEL PLATED, .000040 MIN THICK.

COMPLIANT TAIL: SILVER PLATED, .000200 MIN THICK,  
 OVER NICKEL PLATED, .000040 MIN THICK.

CONTACT: SILVER PLATED, .000200 MIN THICK,  
 OVER NICKEL PLATED, .000040 MIN THICK.

3. MATERIALS:

HOUSING: THERMOPLASTIC, GLASS REINFORCED, COLOR-BLACK  
 UL94V-0 FLAMMABILITY RATED

CROWN: COPPER ALLOY

INSERT: ZINC ALLOY, CASTING

CONTACT: BRASS ALLOY

COMPLIANT TAIL: PHOSPHOR BRONZE ALLOY

2. ITEMS PROVIDED TO THIS SPECIFICATION SHALL BE IDENTIFIED ON THE CONTAINER WITH THE FOLLOWING INFORMATION: PART NUMBER & DATE CODE OF MANUFACTURE.

1. PART NUMBER CHANGES AND OR DESIGN CHANGES AFFECTING ITEM INTERCHANGEABILITY REQUIRE PRIOR TE APPROVAL AND AUTHORIZATION BY REVISION TO THIS DRAWING.

6643451-1  
 PART NUMBER

THIS DRAWING IS A CONTROLLED DOCUMENT.		DWN 12JAN2011 HA/GRZYBOWSKI	TE Connectivity													
DIMENSIONS: INCHES		CHK - ORRIS														
TOLERANCES UNLESS OTHERWISE SPECIFIED:		APVD 12JAN2011 FLICKINGER/ORRIS	NAME ICCON, PIN, SIZE NO.8, PERPENDICULAR COMPLIANT TAIL, 10 PIN FOOT PRINT NON LOCKING STYLE, 1.00 PIN EXT													
<table border="1"> <tr><td>0 PLC</td><td>± -</td></tr> <tr><td>1 PLC</td><td>± -</td></tr> <tr><td>2 PLC</td><td>± .02</td></tr> <tr><td>3 PLC</td><td>± .010</td></tr> <tr><td>4 PLC</td><td>± -</td></tr> <tr><td>ANGLES</td><td>± .5</td></tr> </table>		0 PLC	± -	1 PLC	± -	2 PLC	± .02	3 PLC	± .010	4 PLC	± -	ANGLES	± .5	PRODUCT SPEC -	SIZE CAGE CODE DRAWING NO RESTRICTED TO	
0 PLC	± -															
1 PLC	± -															
2 PLC	± .02															
3 PLC	± .010															
4 PLC	± -															
ANGLES	± .5															
MATERIAL -		APPLICATION SPEC -	A3 00779 C-6643451													
FINISH -		WEIGHT -	CUSTOMER DRAWING SCALE 4:1 SHEET 1 OF 1 REV C													

# Mouser Electronics

Authorized Distributor

Click to View Pricing, Inventory, Delivery & Lifecycle Information:

[TE Connectivity:](#)

[6643451-1](#)