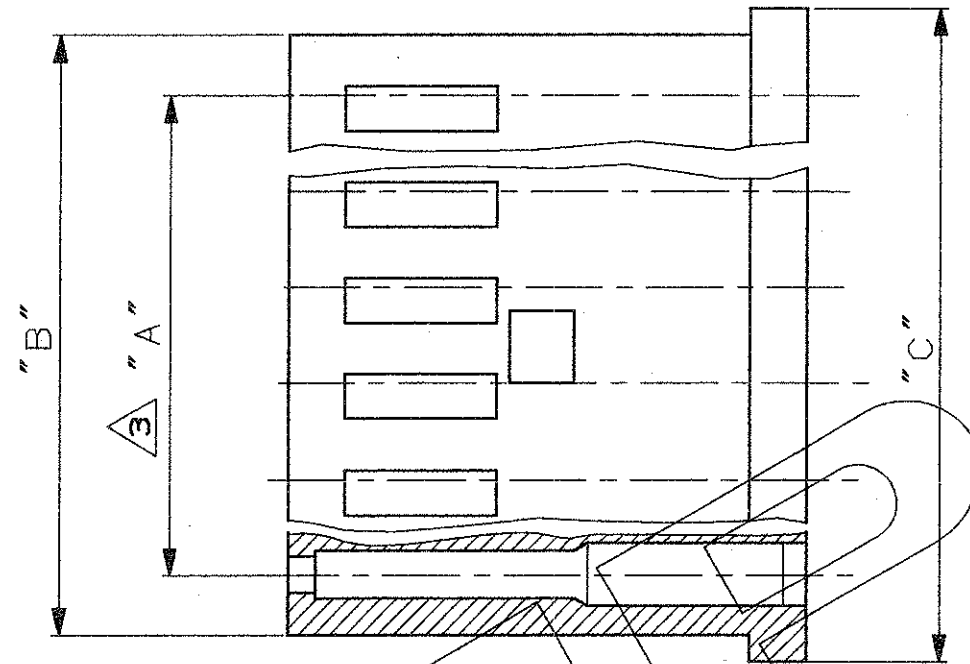
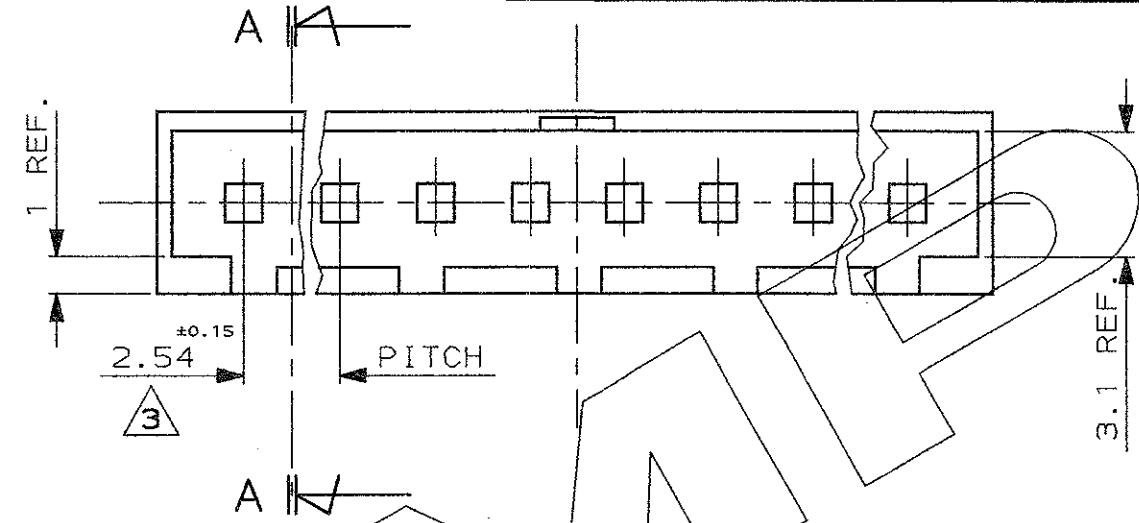
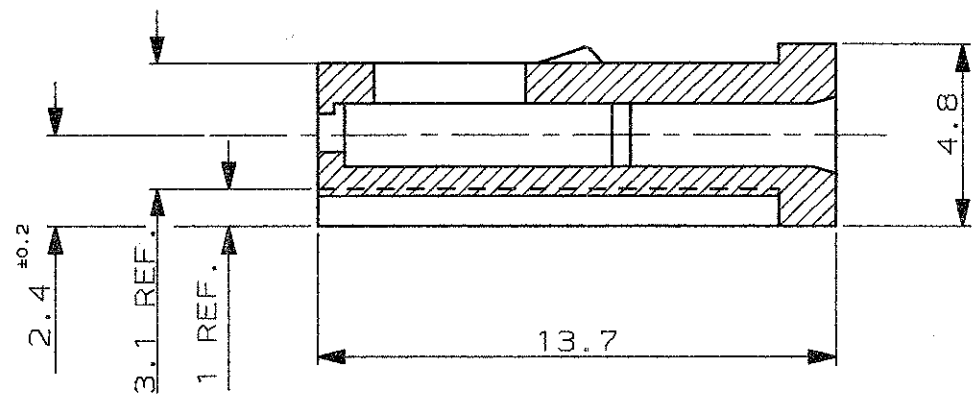


SEZ. A-A  
(SECT. A-A)

SCALA NON IMPEGNATIVA  
(DO NOT SCALE)  
DIMENSIONI IN mm  
(DIMENSIONS IN)

METRIC

PROIEZIONE EUROPEA  
(EUROPEAN PROJECTION)



N° POS.	PART NUMBER	DIM. "A"	DIM. "B"	DIM. "C"	MATERIAL (SEE NOTE)
4	1-280359-0	7.62	10.6	12.2	2
2	1-280358-0	2.54	5.6	7.1	
22	280364-0	53.34	56.4	57.9	1
15	280363-0	35.56	38.6	40.1	
12	280514-0	27.94	31	32.5	
10	280362-0	22.86	25.9	27.4	
9	280512-0	20.32	23.3	24.9	
8	280361-0	17.78	20.8	22.3	
6	280360-0	12.70	15.7	17.3	
4	280359-0	7.62	10.6	12.2	
2	280358-0	2.54	5.6	7.1	

- 1 NORYL, UL94 V1, COLORE NERO / NORYL, UL94 V1, BLACK COLOUR
- 2 NORYL SE-1 COLORE ROSSO / NORYL SE-1 RED COLOUR
- 3 TOLLERANZA NON CUMULATIVA / NON CUMULATIVE TOLERANCE
- 4 PERMITTED FLASH 0.01 INCH MAX

CUSTOMER DRAWING  
FOR REFERENCE ONLY

DISEGNO PER CLIENTE  
SOLO PER RIFERIMENTO

THIS DRAWING IS UNPUBLISHED | RELEASE FOR PUBLICATION

TOLLERANZE, SE NON  
DIVERSAMENTE SPECIFICATO  
(TOLERANCES, UNLESS  
OTHERWISE SPECIFIED)

DIAM. ISOLANTE  
(INS. DIA. RANGE)

RANGO FILO  
(WIRE RANGE)

SCALA  
(SCALE)

± 0.3

ANGOLI  
(ANGLES) ± 2°

**STE** TE Connectivity

DIS. 11 APRIL '95  
(DR.) C. PIA

DESCRIZIONE  
(DESCRIPTION) AMPMODU II REC. HSG  
SINGLE ROW, CRIMP ON-SNAP IN

CONT. 11 APRIL '95  
(CHK) R. CANTORE

LOC. SIZE NUMERO  
(DWS NO)

REV. FOGLIO  
(SHEET)

Y3	ADDED NOTE 4 AND OBSOLESCE OF PIN 1-280358-0 & 1-280359-0	SP	08NOV 2012
REV. (REV. DATE)	REVISIONI (REVISION RECORD)	DIS. (DR)	DATA (DATE)

I A3 C - 280358 Y3 1 DI (COP) 1

DISTRIBUZIONE (PRINT DIST.)

# Mouser Electronics

Authorized Distributor

Click to View Pricing, Inventory, Delivery & Lifecycle Information:

[TE Connectivity:](#)

[280512](#)