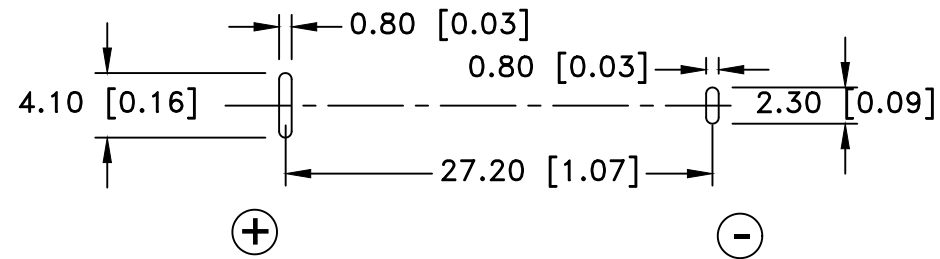
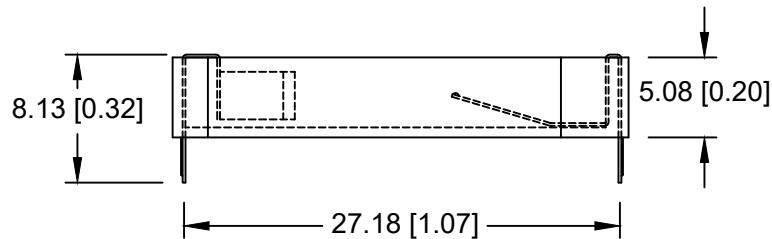
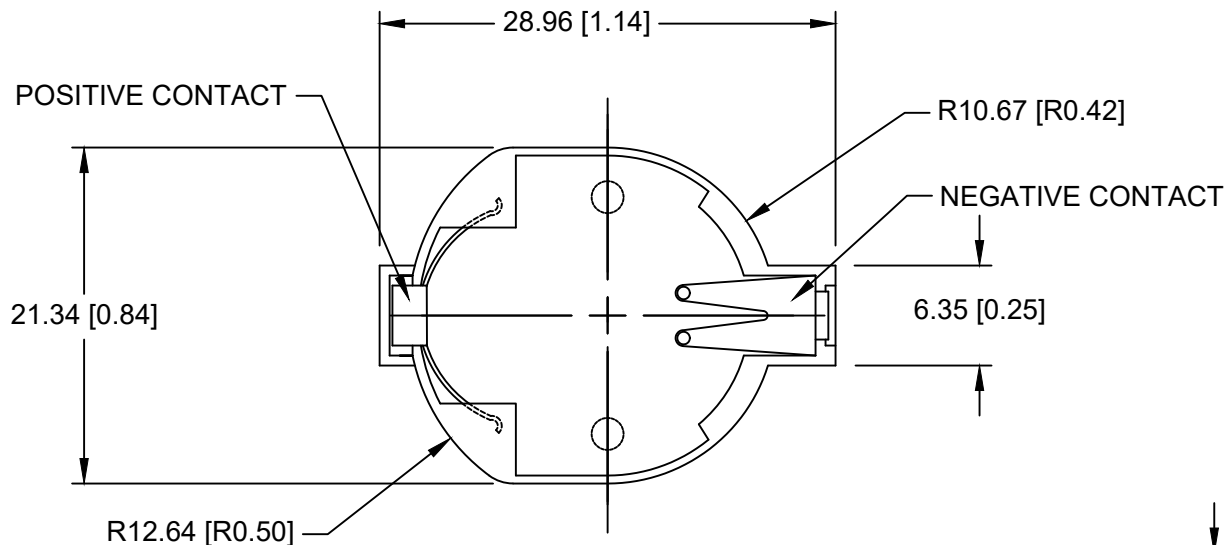


Date	SYM	REVISION RECORD	AUTH	DR.	CK.
03/26/19	E	UPDATED TO "ROHS COMPLIANT"	T.B.	B.S.	




PCB LAYOUT

SPECIFICATIONS:

- * Holder material- PBT, 30% glass reinforced, Black, UL94V-0
Temperature range: -40°C to +180°C, UL File no. E53829
- * Contacts : Stainless Steel 301, spring temper, Nickel Plated,
- * Vibration test: 10-50-10 hz swept in 60 seconds
x,y,z direction: 1 hour each direction
- * Result: no dislodgement of the cell or damage
no discontinuity over 10 micro-seconds
- * Shock test: half sine wave acceleration 150g.
6 micro-seconds 3 shock pulses each direction per axis,
total of 18 pulses
- * Result: no evidence of physical damage
- * Drop Test: Mounted on board and dropped 5 times from 1m high to
concrete floor
- * Result: No dislodgement of the cell, No damage to the holders

* ROHS COMPLIANT

Tolerance (Except as noted)	 Memory Protection Devices, Inc 200 Broad Hollow Road, Farmingdale, New York 11735		
decimal ±.5 (.020)	Scale	Drawn By B.S.	
		Approved By T.B.	
Fractional ± .8 (.030)	Title CR2032 BATTERY HOLDER, THRU HOLE		
Angular ± 3°	Date 03/26/19	Drawing Number BC2032-E2	