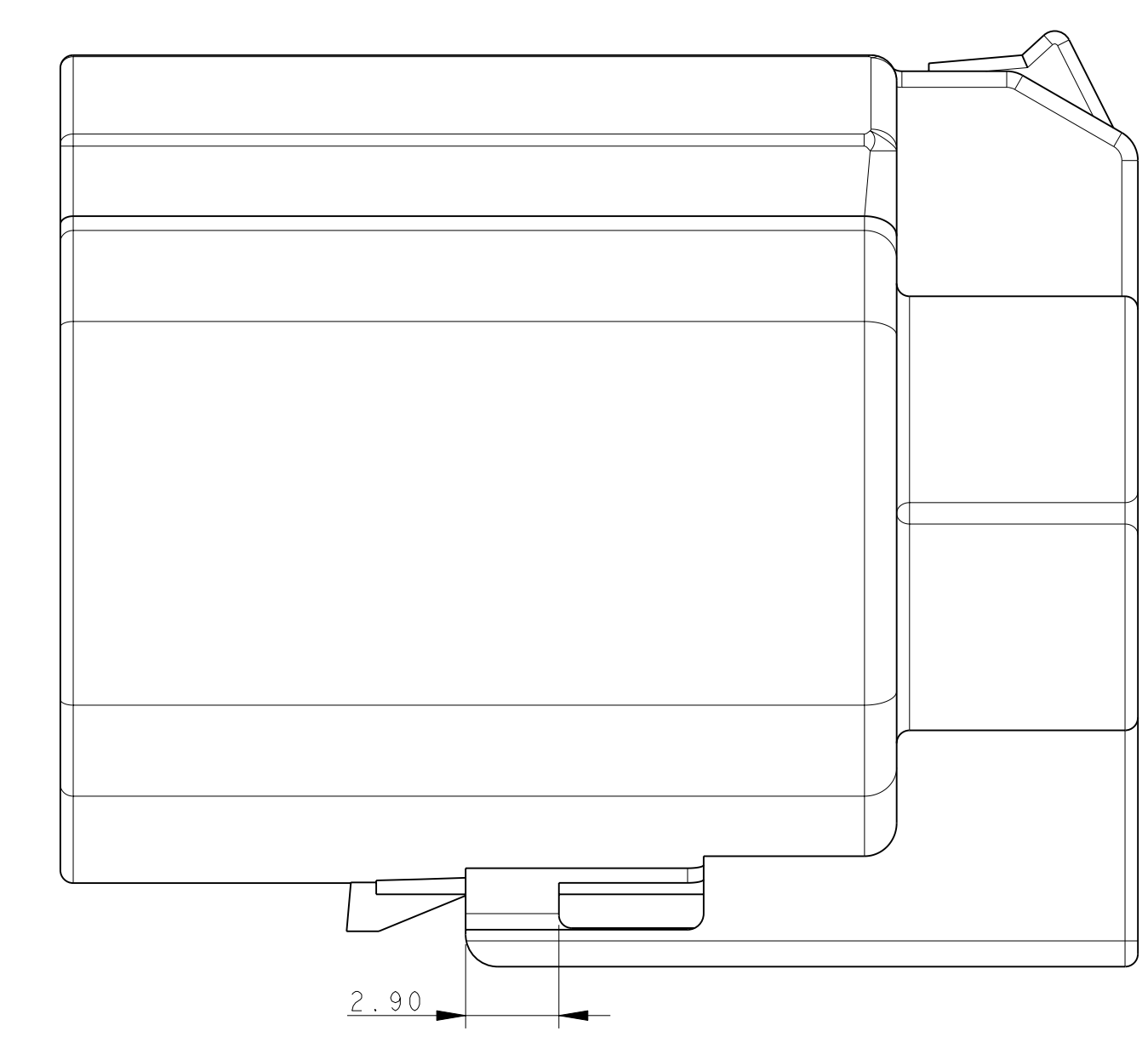
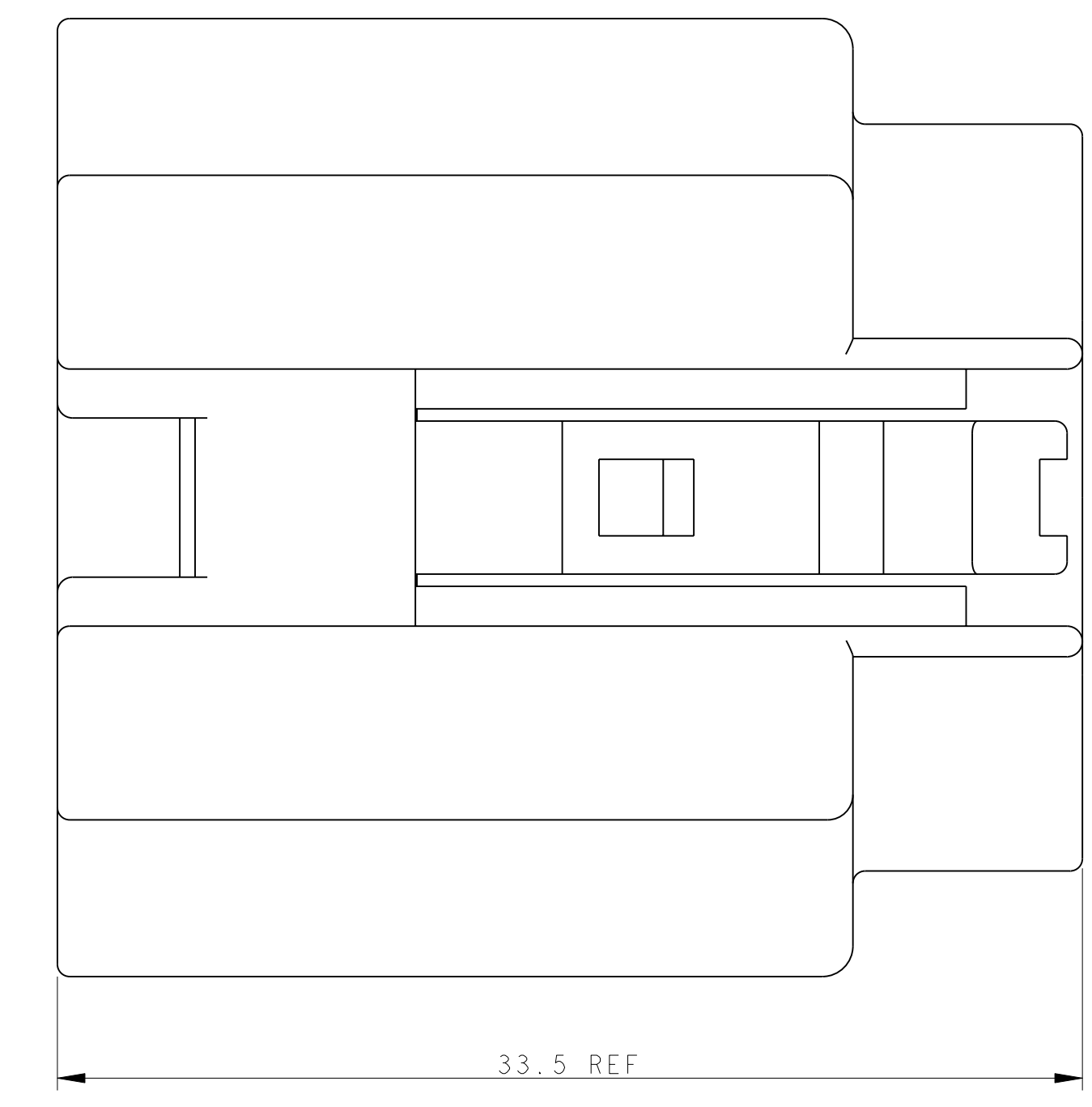
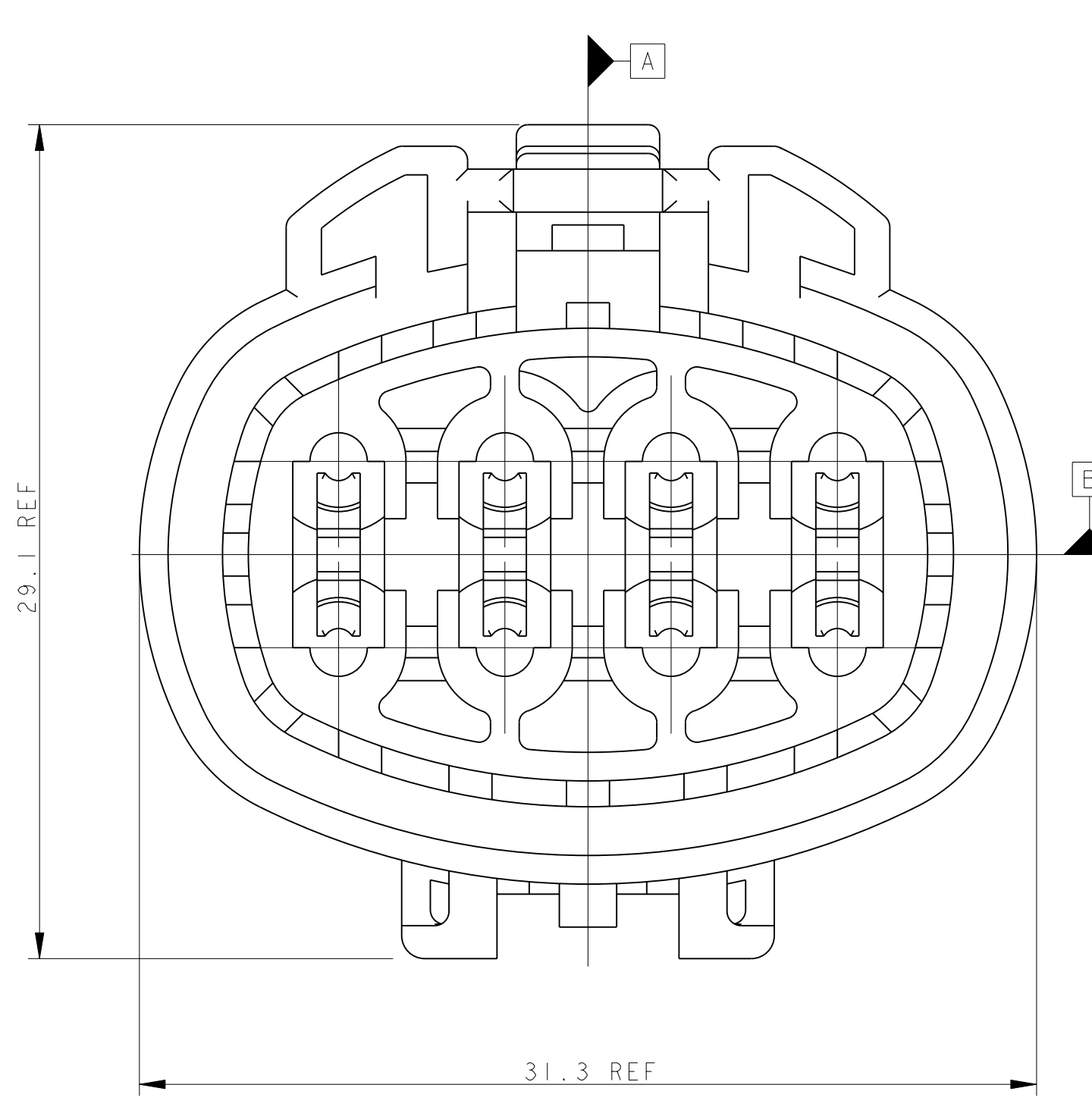


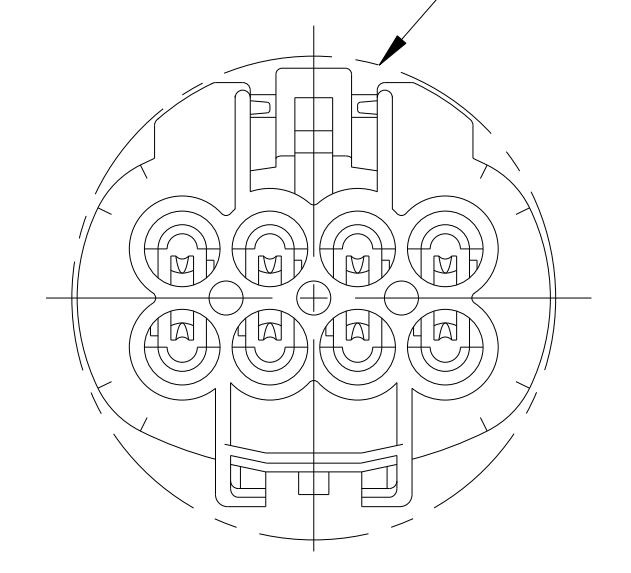
REV	DATE	DESCRIPTION	BY	APPD
A	13SEP2001	EG00-2686-01	SS	JE
A1	17FEB2004	EG00-0377-04	SS	VS
A2	21FEB2004	REDRAWN REVISED FOR ECR-04-003008	M. P.	M. R.
A3	16MAY2004	REDRAWN FOR ECR-08-011466	D. S.	R. M.
A4	15FEB2012	ECR-12-002131	M. P.	M. G.

1 HOUSING WITH RETAINER

WATERPROOF /
NOT WATERPROOF



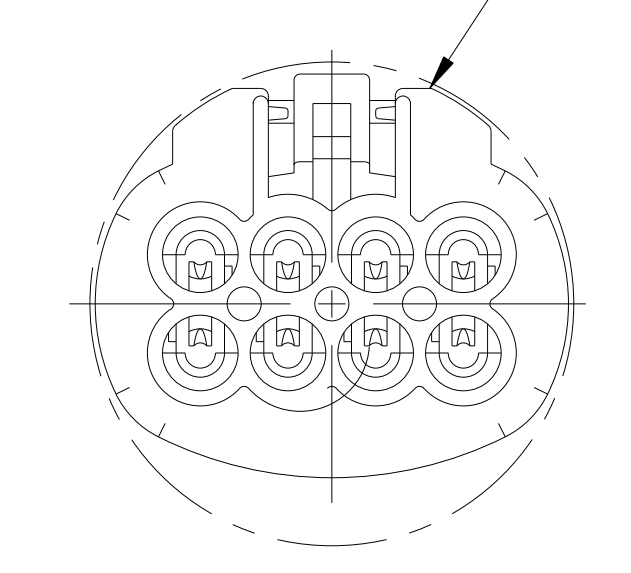
Ø 32.00 MINIMUM CLEARANCE HOLE (REF)



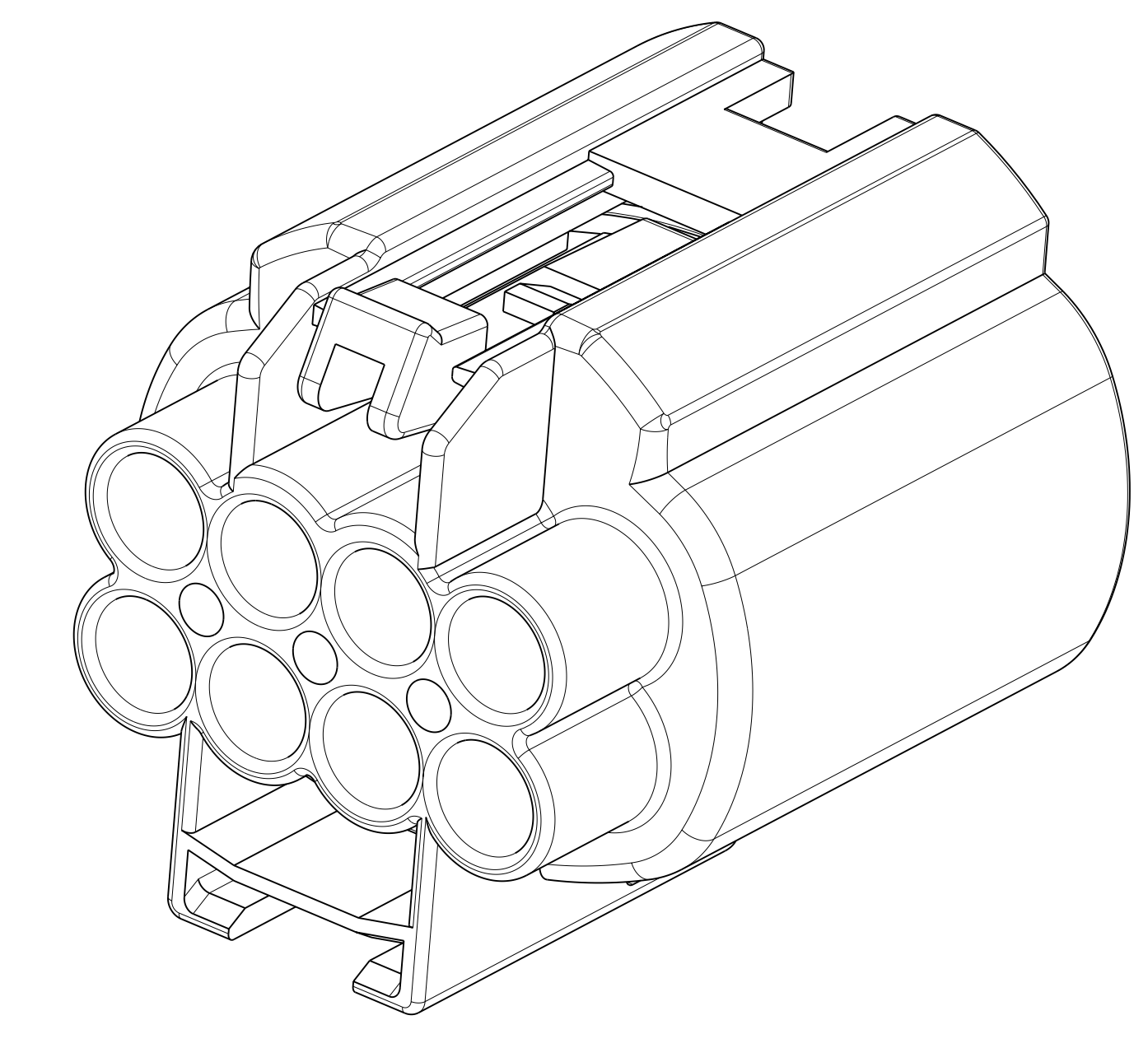
HOUSING MALE WITH RETAINER

FULL SIZE VIEWS
SCALE 2.000

Ø 32.00 MINIMUM CLEARANCE HOLE (REF)



HOUSING MALE WITHOUT RETAINER



TE CONNECTIVITY PART No.	DESCRIPTION	ITEM
	HOUSING WITH RETAINER (BLACK)	1
	HOUSING WITHOUT RETAINER (BLACK)	1
	HOUSING WITH RETAINER (NATURAL)	1
	HOUSING WITHOUT RETAINER (NATURAL)	1
	HOUSING WITH RETAINER (RED)	1
	HOUSING WITHOUT RETAINER (RED)	1
	SPACER (RED)	2
	SPACER (LIGHT BLUE)	2
	SEAL (REDDISH BROWN)	3

PART AS SUPPLIED				COMPONENTS			COLOURS			MATERIALS		
TE CONNECTIVITY PART No.	DESCRIPTION	WATERPROOF	WEIGHT	1 HOUSING	2 SPACER	3 SEAL	1 HOUSING	2 SPACER	3 SEAL	1 HOUSING	2 SPACER	3 SEAL
4-1437710-5	8 WAY MALE CONNECTOR	YES	13.4 gr.	1	1	1	BLACK	LIGHT BLUE	REDDISH BROWN	PBTP 33% GF	PBTP 33% GF	SILICONE ELASTOMER
4-1437710-6	8 WAY MALE CONNECTOR WITH RETAINER		14.2 gr.	1	1	1						
4-1437710-7	8 WAY MALE CONNECTOR	NO	13.0 gr.	1	1	1	BLACK	RED		PBTP 33% GF	PBTP 33% GF	SILICONE ELASTOMER
4-1437710-8	8 WAY MALE CONNECTOR WITH RETAINER		13.8 gr.	1	1	1						

SUITABLE FOR		
TERMINAL FEMALE	WIRE SEAL	BLIND PLUG
0-1437709-9 (0.22-0.35mm ²) GOLD PLATED 1-1437709-0 (0.50-1.00mm ²) GOLD PLATED 1-1437709-7 (1.50mm ²) GOLD PLATED 1-1437709-4 (0.22-0.35mm ²) TIN PLATED 1-1437709-5 (0.50-1.00mm ²) TIN PLATED 1-1437709-6 (1.50mm ²) TIN PLATED	1-1437713-1 (0.22-0.35) BLACK 1-1437713-2 (0.50-1.00) RED 1-1437713-3 (1.50) BLUE	1-1437713-4

MATING PARTS	
TE CONNECTIVITY PART No.	DESCRIPTION
2-1437712-2	8 WAY FEMALE CONNECTOR WATERPROOF
2-1437712-3	8 WAY FEMALE CONNECTOR NON WATERPROOF

PART AS SUPPLIED				COMPONENTS			COLOURS			MATERIALS		
TE CONNECTIVITY PART No.	DESCRIPTION	WATERPROOF	WEIGHT	1 HOUSING	2 SPACER	3 SEAL	1 HOUSING	2 SPACER	3 SEAL	1 HOUSING	2 SPACER	3 SEAL
4-1437710-9	8 WAY MALE CONNECTOR	YES	13.4 gr.	1	1	1	NATURAL	LIGHT BLUE	REDDISH BROWN	PBTP 33% GF	PBTP 33% GF	SILICONE ELASTOMER
5-1437710-0	8 WAY MALE CONNECTOR WITH RETAINER		14.2 gr.	1	1	1						
5-1437710-1	8 WAY MALE CONNECTOR	NO	13.0 gr.	1	1	1	NATURAL	RED		PBTP 33% GF	PBTP 33% GF	SILICONE ELASTOMER
5-1437710-2	8 WAY MALE CONNECTOR WITH RETAINER		13.8 gr.	1	1	1						

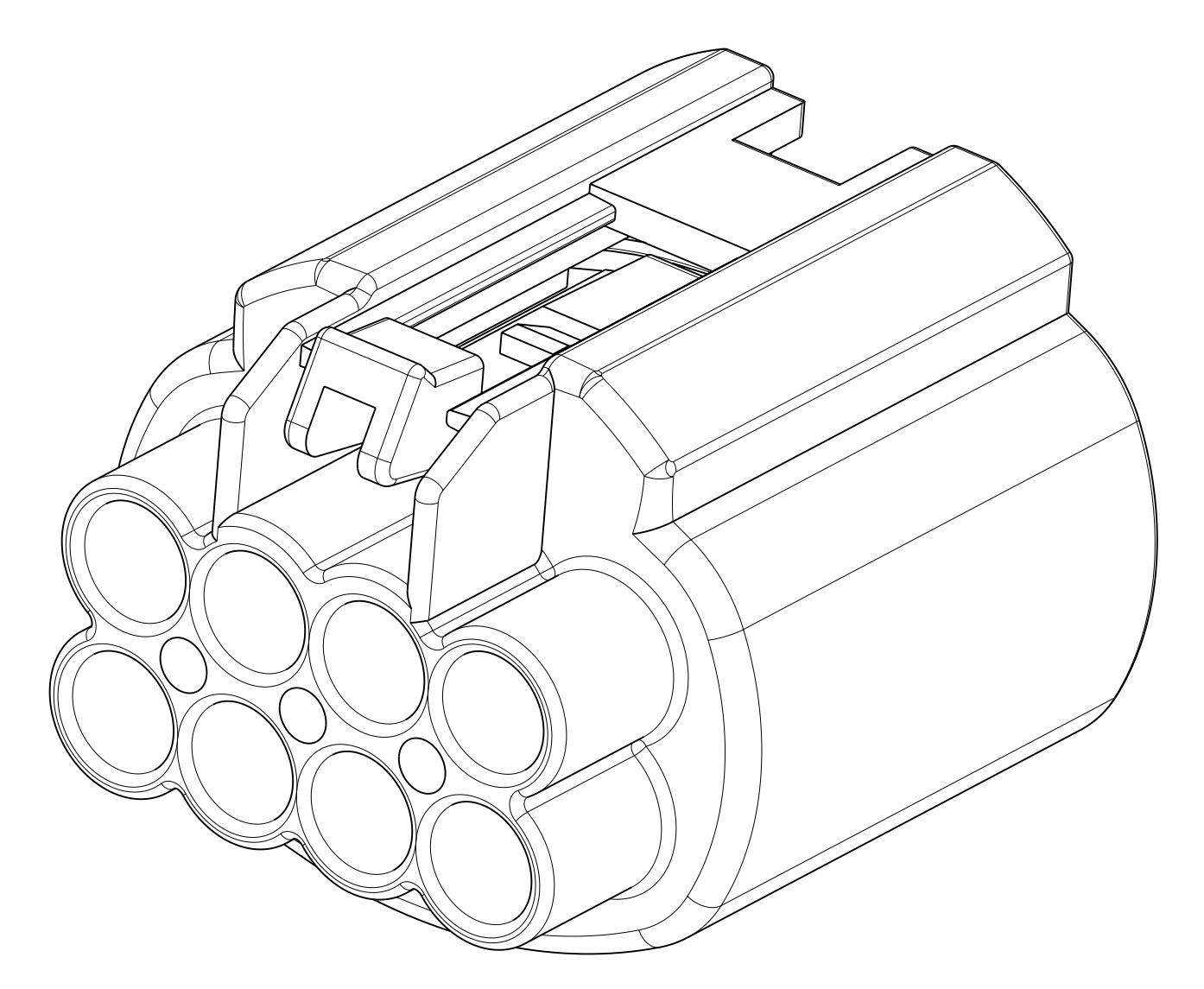
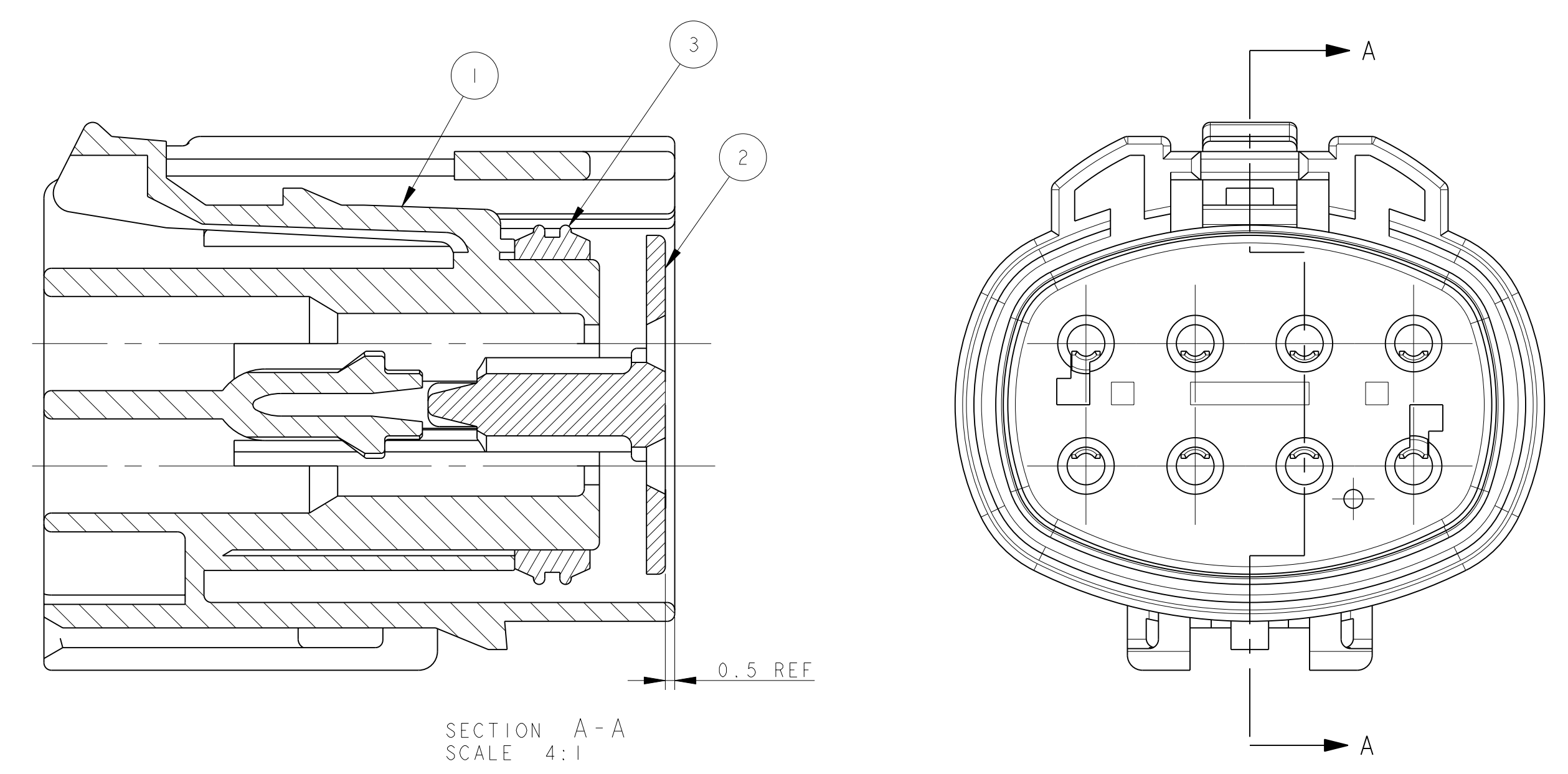
SUITABLE FOR		
TERMINAL FEMALE	WIRE SEAL	BLIND PLUG
0-1437709-9 (0.22-0.35mm ²) GOLD PLATED 1-1437709-0 (0.50-1.00mm ²) GOLD PLATED 1-1437709-7 (1.50mm ²) GOLD PLATED 1-1437709-4 (0.22-0.35mm ²) TIN PLATED 1-1437709-5 (0.50-1.00mm ²) TIN PLATED 1-1437709-6 (1.50mm ²) TIN PLATED	1-1437713-1 (0.22-0.35) BLACK 1-1437713-2 (0.50-1.00) RED 1-1437713-3 (1.50) BLUE	1-1437713-4

MATING PARTS	
TE CONNECTIVITY PART No.	DESCRIPTION
2-1437712-3	8 WAY FEMALE CONNECTOR WATERPROOF
2-1437712-2	8 WAY FEMALE CONNECTOR NON WATERPROOF

PART AS SUPPLIED				COMPONENTS			COLOURS			MATERIALS		
TE CONNECTIVITY PART No.	DESCRIPTION	WATERPROOF	WEIGHT	1 HOUSING	2 SPACER	3 SEAL	1 HOUSING	2 SPACER	3 SEAL	1 HOUSING	2 SPACER	3 SEAL
-	8 WAY MALE CONNECTOR	YES	-	1	1	1	RED	LIGHT BLUE	REDDISH BROWN	PBTP 33% GF	PBTP 33% GF	SILICONE ELASTOMER
4-1437709-5	8 WAY MALE CONNECTOR WITH RETAINER		14.2 gr.	1	1	1						
-	8 WAY MALE CONNECTOR	NO	-	1	1	1	RED			PBTP 33% GF	PBTP 33% GF	SILICONE ELASTOMER
-	8 WAY MALE CONNECTOR WITH RETAINER		-	1	1	1						

SUITABLE FOR		
TERMINAL FEMALE	WIRE SEAL	BLIND PLUG
0-1437709-9 (0.22-0.35mm ²) GOLD PLATED 1-1437709-0 (0.50-1.00mm ²) GOLD PLATED 1-1437709-7 (1.50mm ²) GOLD PLATED 1-1437709-4 (0.22-0.35mm ²) TIN PLATED 1-1437709-5 (0.50-1.00mm ²) TIN PLATED 1-1437709-6 (1.50mm ²) TIN PLATED	1-1437713-1 (0.22-0.35) BLACK 1-1437713-2 (0.50-1.00) RED 1-1437713-3 (1.50) BLUE	1-1437713-4

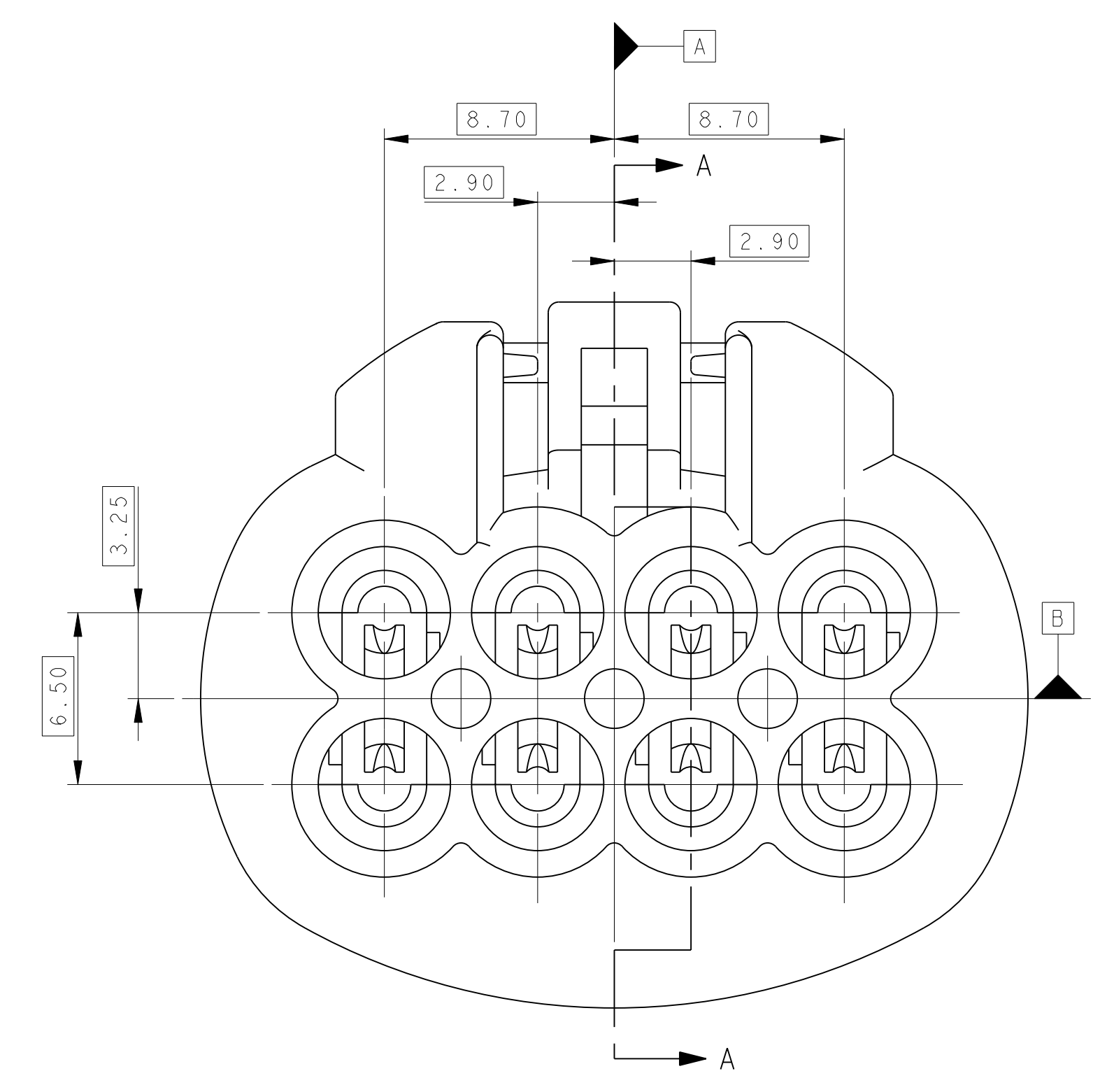
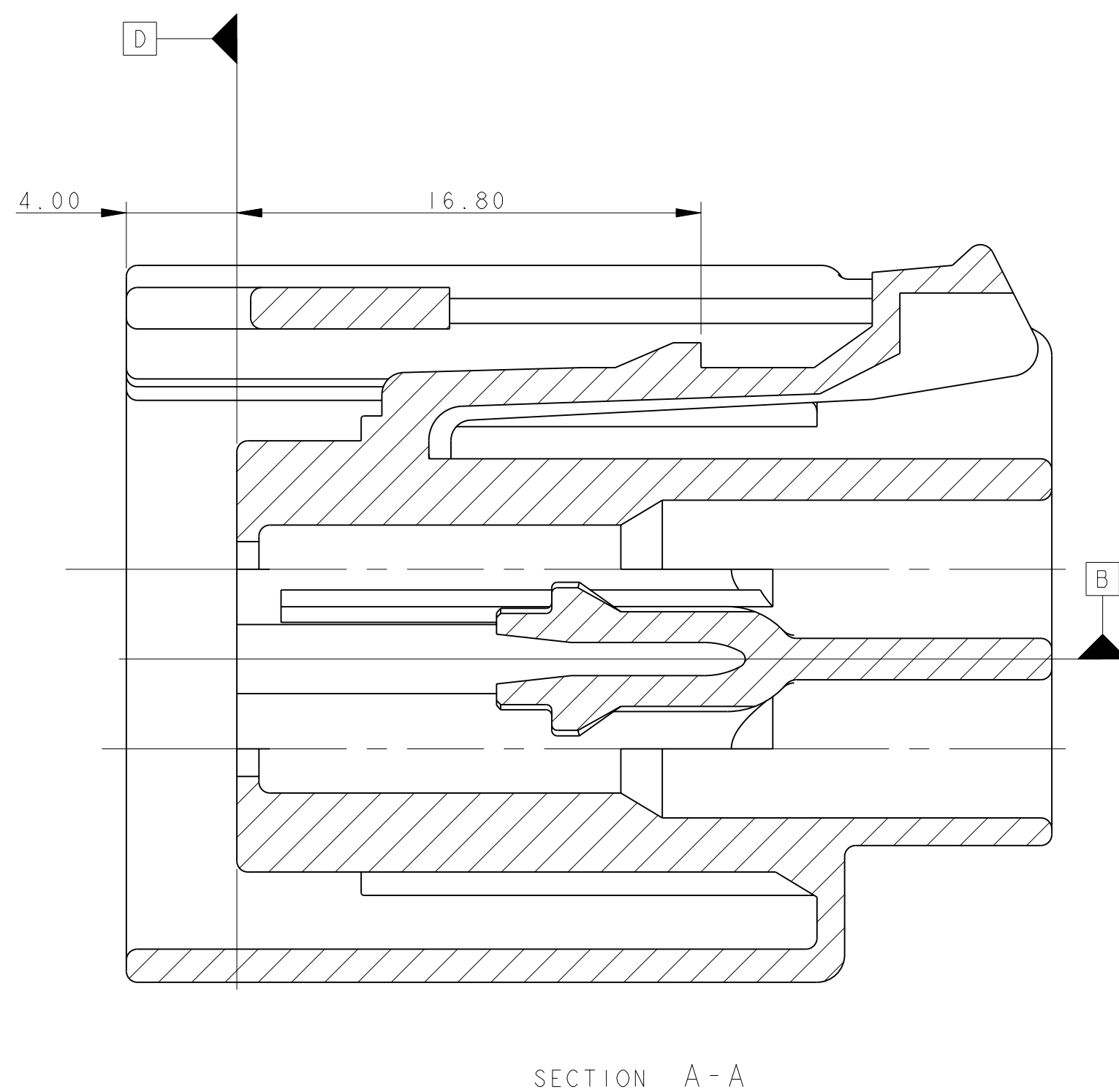
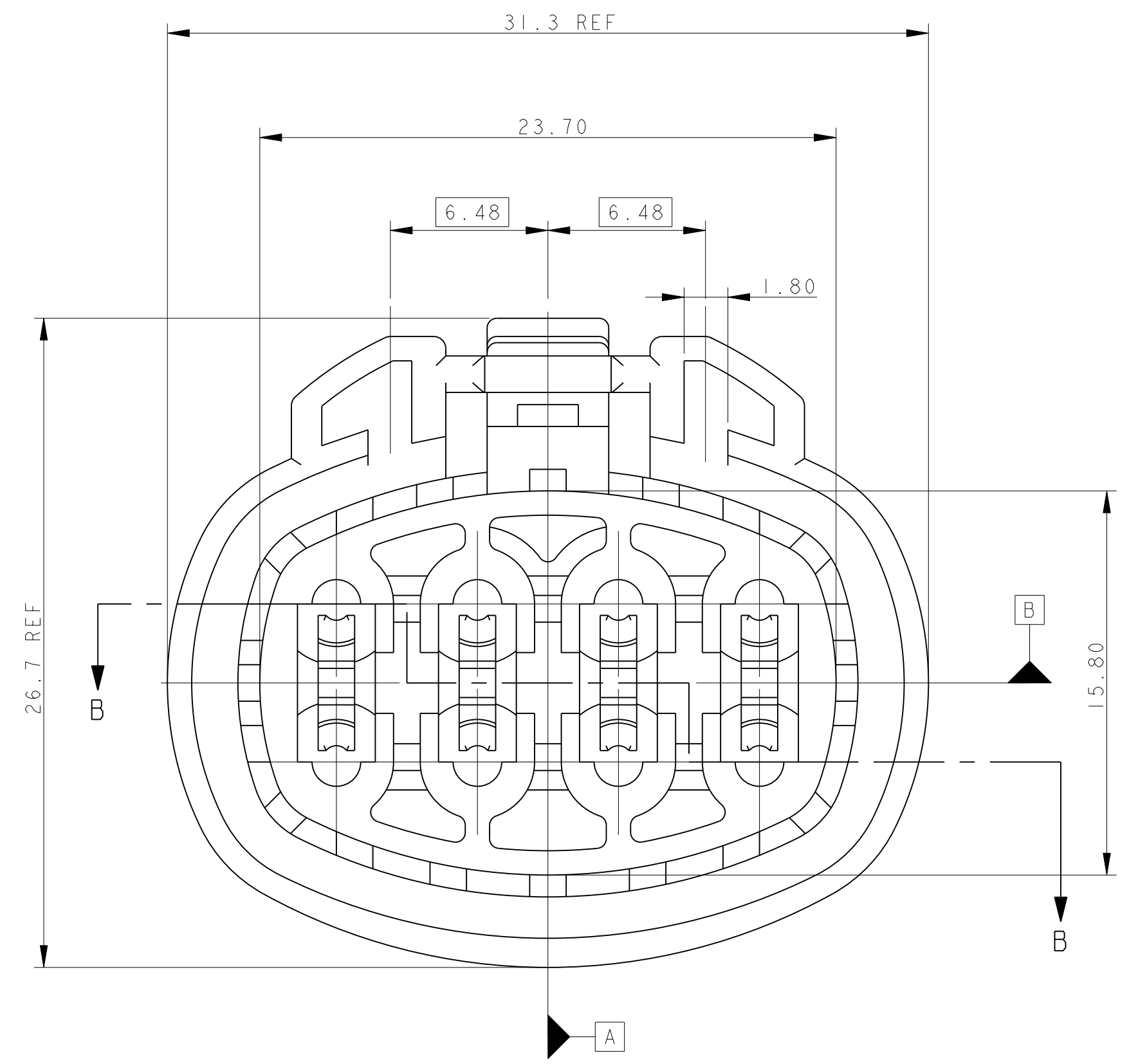
MATING PARTS	
TE CONNECTIVITY PART No.	DESCRIPTION
1-1437712-3	8 WAY FEMALE CONNECTOR NON WATERPROOF



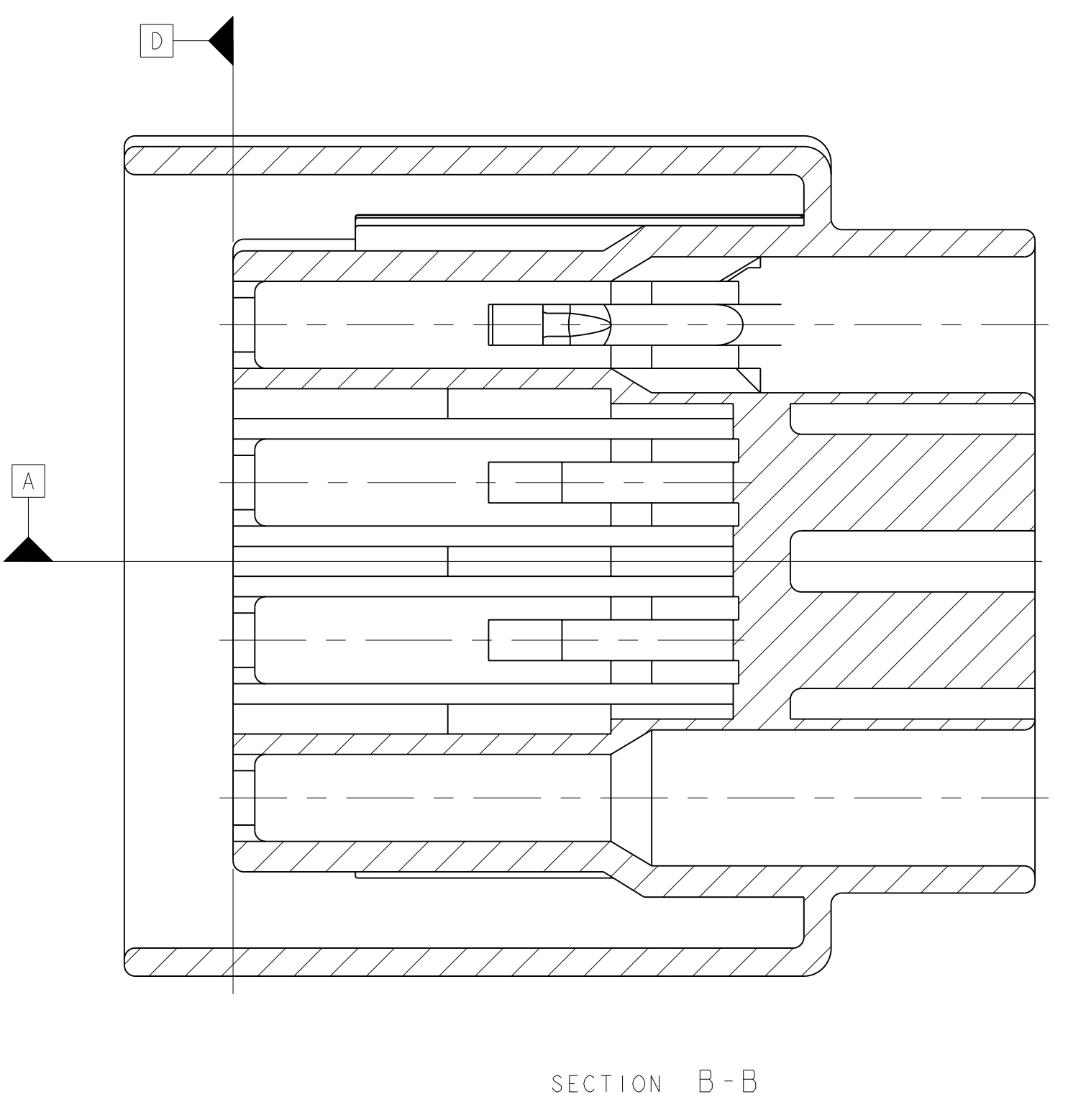
NOTES UNLESS OTHERWISE SPECIFIED:
 1) SEE CHART FOR MATING PART NUMBERS.
 2) THE CONNECTOR WITH AND WITHOUT RETAINER MOUNTING FEATURE IS DESIGNED TO PASS THROUGH A Ø 32.00mm MIN. HOLE

THIS DRAWING IS A CONTROLLED DOCUMENT.		REV. M. PALMI 21FEB2006	TE Connectivity 1.6mm SYSTEM 8 WAYS CONNECTOR MALE
DIMENSIONS: DIMENSIONS IN MILLIMETERS UNLESS OTHERWISE SPECIFIED.		REV. R. MARTIN 21FEB2006	
0 P L C	0 P L C	0 P L C	108-20269
1 P L C	1 P L C	1 P L C	411-20111
2 P L C	2 P L C	2 P L C	00779
3 P L C	3 P L C	3 P L C	1418077
4 P L C	4 P L C	4 P L C	00779
5 P L C	5 P L C	5 P L C	1418077
6 P L C	6 P L C	6 P L C	00779
7 P L C	7 P L C	7 P L C	1418077
8 P L C	8 P L C	8 P L C	00779
9 P L C	9 P L C	9 P L C	1418077
10 P L C	10 P L C	10 P L C	00779
11 P L C	11 P L C	11 P L C	1418077
12 P L C	12 P L C	12 P L C	00779
13 P L C	13 P L C	13 P L C	1418077
14 P L C	14 P L C	14 P L C	00779
15 P L C	15 P L C	15 P L C	1418077
16 P L C	16 P L C	16 P L C	00779
17 P L C	17 P L C	17 P L C	1418077
18 P L C	18 P L C	18 P L C	00779
19 P L C	19 P L C	19 P L C	1418077
20 P L C	20 P L C	20 P L C	00779

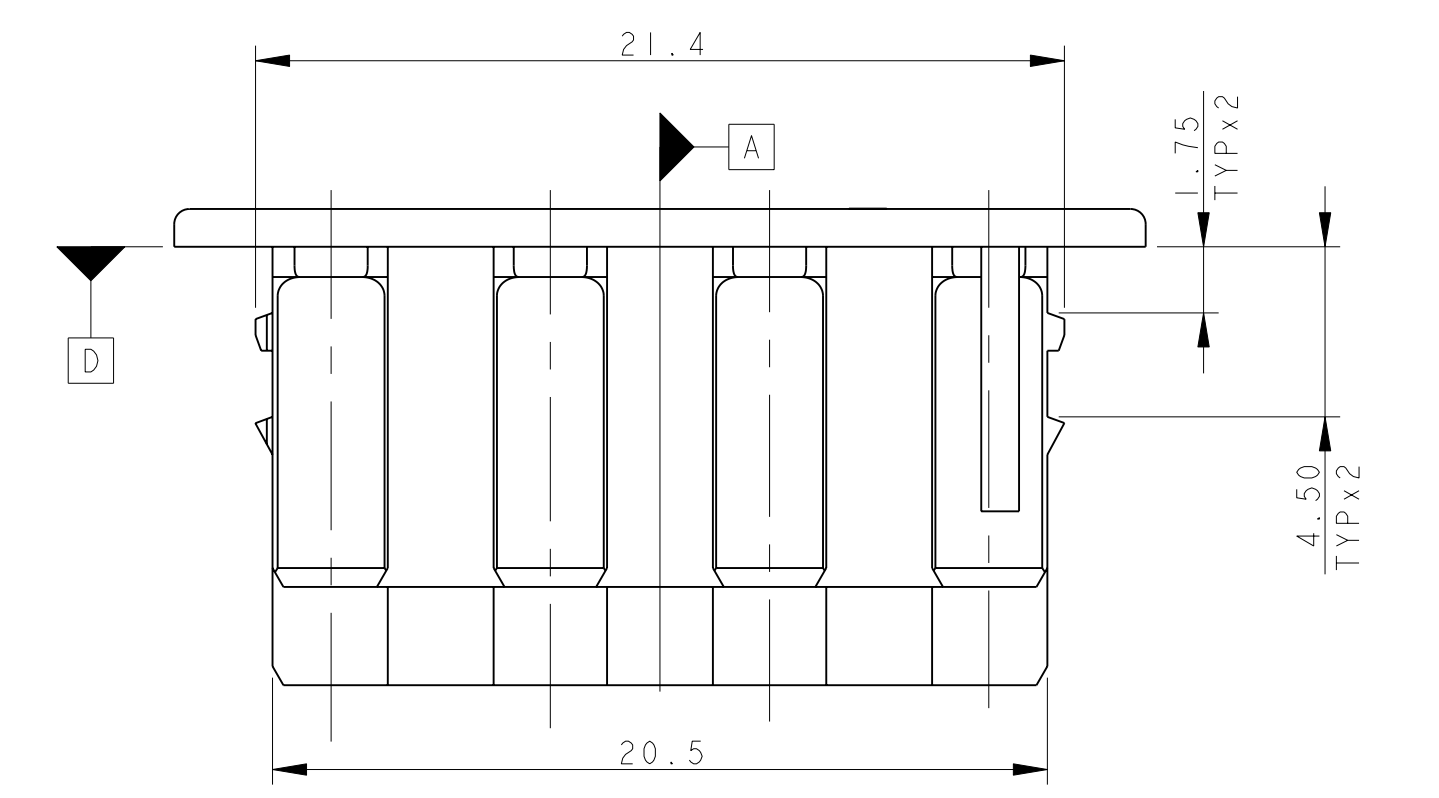
LOC	DIST	REV	DESCRIPTION	DATE	BY	APPV
1	-	1	SEE SHEET 1	-	-	-



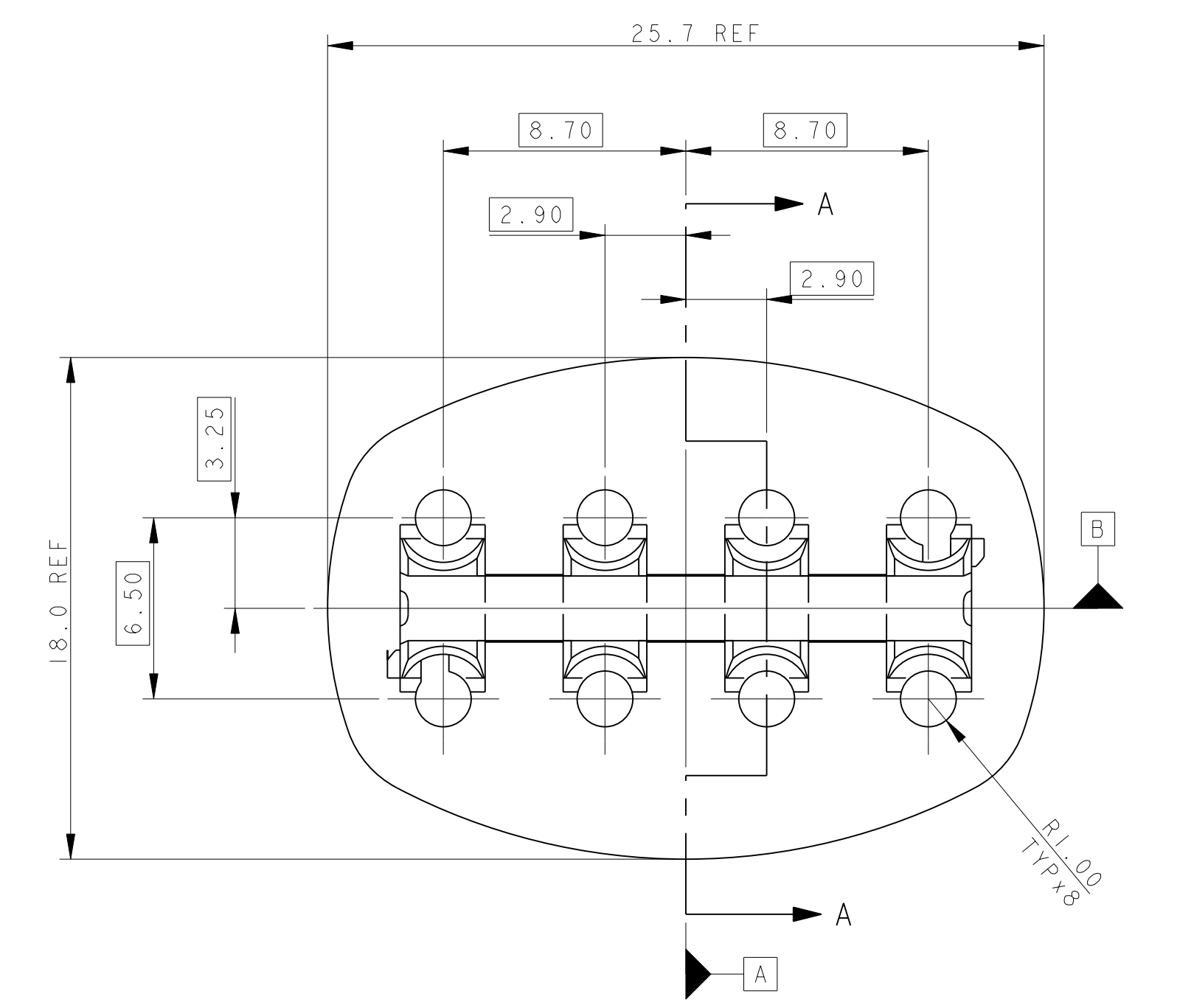
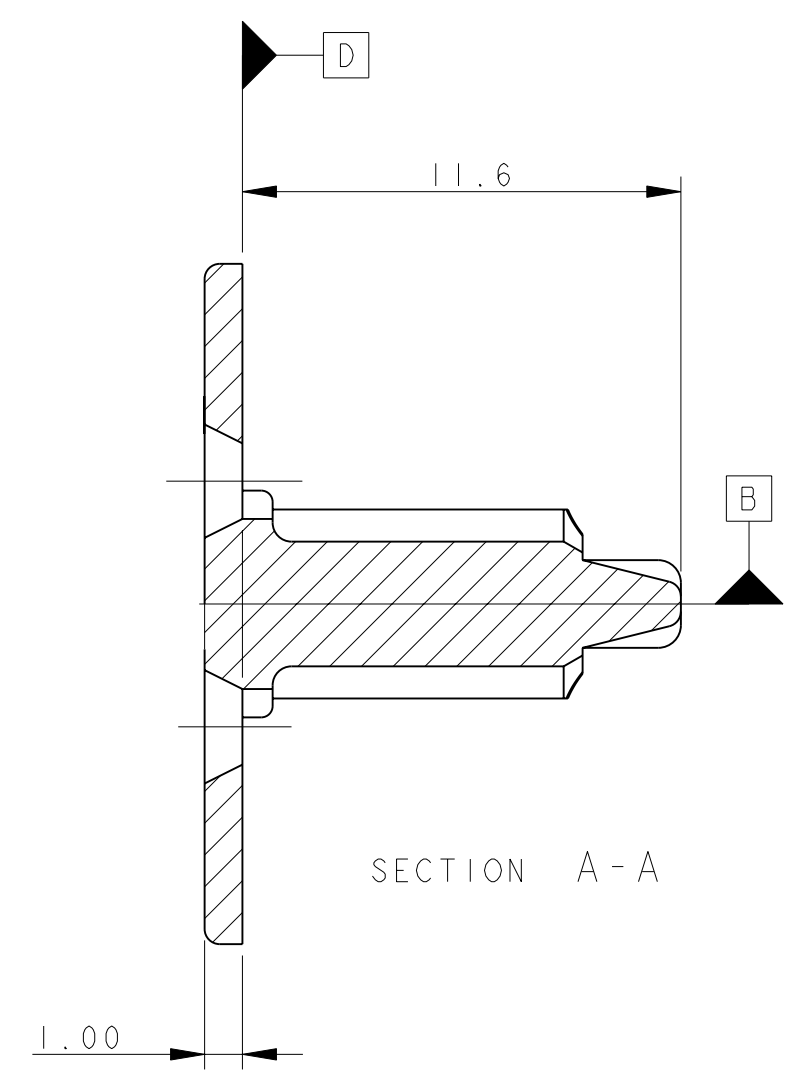
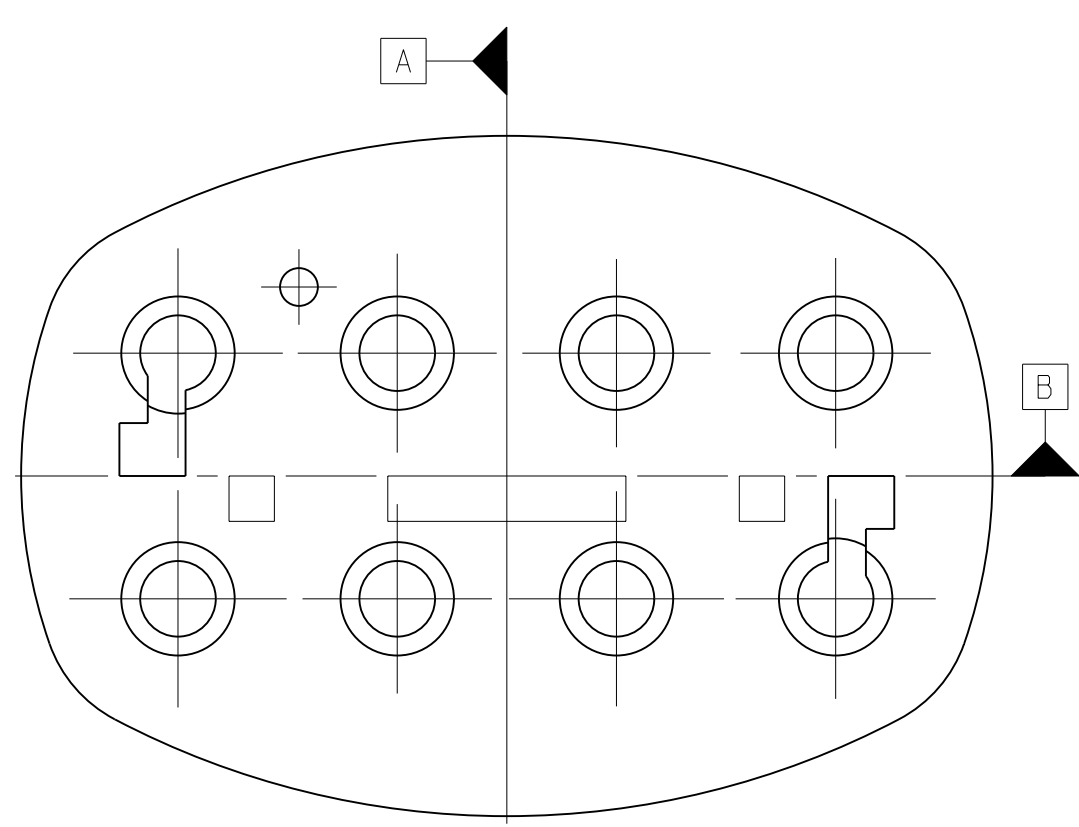
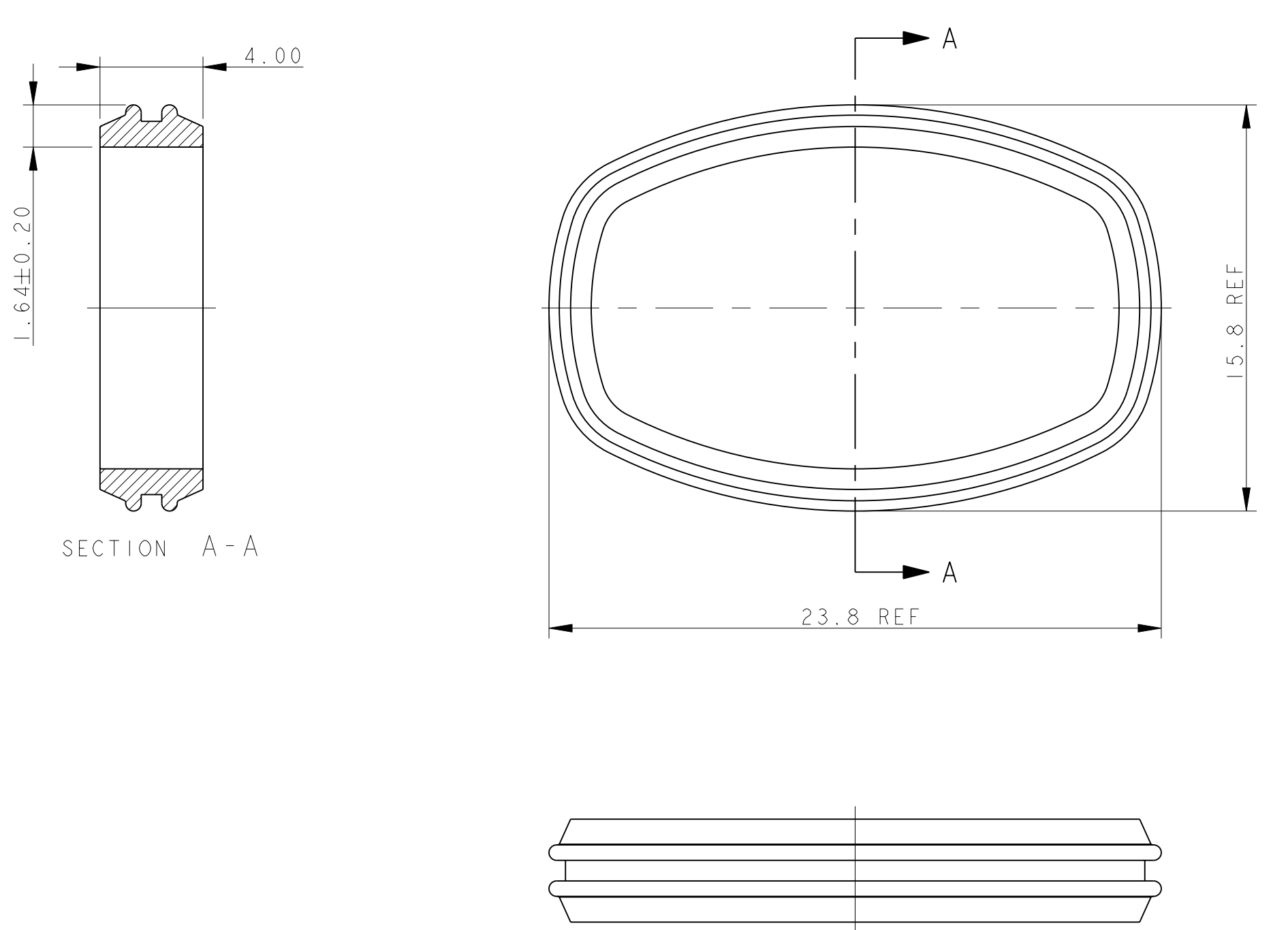
1 HOUSING WITHOUT RETAINER
 WATERPROOF / NOT WATERPROOF



2 SPACER
 WATERPROOF (LIGHT BLUE)
 NOT WATERPROOF (RED)



3 SEAL
 WATERPROOF



THIS DRAWING IS A CONTROLLED DOCUMENT.		DRW: W. PALM, 21FEB2006	TE Connectivity
DIMENSIONS: UNLESS OTHERWISE SPECIFIED:		CHK: S. MARTIN, 21FEB2006	
Ø	Ø	APP: A. GENTIL, 21FEB2006	NAME: 1.6mm SYSTEM
Ø	Ø	PRODUCT SPEC: 108-20269	8 WAYS CONNECTOR
Ø	Ø	APPLICATION SPEC: 411-20111	MALE
MATERIAL: SEE TABLE	FINISH: -	WEIGHT: SEE TABLE	SIZE: CASE CODE (DRAWING NO): A000779
		CUSTOMER DRAWING	SCALE: 5:1 SHEET: 2 OF 3 REV: A4

LOC	DIST	REV	DATE	BY	APPV
1	-	1			

8 WAYS MALE, BLACK (WATERPROOF VERSION WITH RETAINER)	
ASSEMBLY	
T&B UNIVERSAL PART No.	106073
TE CONNECTIVITY PART No.	△1-1437710-9
T&B FORD PART No.	MPIMA-10R8XX
FORD PART No.	89FG-14A464-BHC
TE CONNECTIVITY PART No.	4-1437710-6

△ OBSOLETE, SUPERSEDED BY 4-1437710-6

8 WAYS MALE, BLACK (WATERPROOF VERSION WITHOUT RETAINER)	
ASSEMBLY	
T&B UNIVERSAL PART No.	106071
TE CONNECTIVITY PART No.	△1-1437710-8
T&B FORD PART No.	MPIMA-1008XX
FORD PART No.	89FG-14A464-AHB
TE CONNECTIVITY PART No.	4-1437710-5

△ OBSOLETE, SUPERSEDED BY 4-1437710-5

8 WAYS MALE, BLACK (NON-WATERPROOF VERSION WITH RETAINER)	
ASSEMBLY	
T&B UNIVERSAL PART No.	106074
TE CONNECTIVITY PART No.	△2-1437710-1
T&B FORD PART No.	MPIMA-1AR8XX
FORD PART No.	89FG-14489-BHC
TE CONNECTIVITY PART No.	4-1437710-8

△ OBSOLETE, SUPERSEDED BY 4-1437710-8

8 WAYS MALE, BLACK (NON-WATERPROOF VERSION WITHOUT RETAINER)	
ASSEMBLY	
T&B UNIVERSAL PART No.	106072
TE CONNECTIVITY PART No.	-
T&B FORD PART No.	MPIMA-1A08XX
FORD PART No.	89FG-14489-AHB
TE CONNECTIVITY PART No.	4-1437710-7

8 WAYS MALE, NATURAL (WATERPROOF VERSION WITH RETAINER)	
ASSEMBLY	
T&B UNIVERSAL PART No.	106073-W
TE CONNECTIVITY PART No.	-
T&B FORD PART No.	MPIMA-20R8XX
FORD PART No.	92GG-14A464-BHB
TE CONNECTIVITY PART No.	5-1437710-0

8 WAYS MALE, NATURAL (WATERPROOF VERSION WITHOUT RETAINER)	
ASSEMBLY	
T&B UNIVERSAL PART No.	106071-W
TE CONNECTIVITY PART No.	-
T&B FORD PART No.	MPIMA-2008XX
FORD PART No.	92GG-14A464-AHA
TE CONNECTIVITY PART No.	4-1437710-9

8 WAYS MALE, NATURAL (NON-WATERPROOF VERSION WITH RETAINER)	
ASSEMBLY	
T&B UNIVERSAL PART No.	106074-W
TE CONNECTIVITY PART No.	-
T&B FORD PART No.	MPIMA-2AR8XX
FORD PART No.	92GG-14489-BHC
TE CONNECTIVITY PART No.	5-1437710-2

8 WAYS MALE, NATURAL (NON-WATERPROOF VERSION WITHOUT RETAINER)	
ASSEMBLY	
T&B UNIVERSAL PART No.	106072-W
TE CONNECTIVITY PART No.	-
T&B FORD PART No.	MPIMA-2A08XX
FORD PART No.	92GG-14489-AHB
TE CONNECTIVITY PART No.	5-1437710-1


8 WAYS MALE, RED (WATERPROOF VERSION WITH RETAINER)	
ASSEMBLY	
T&B UNIVERSAL PART No.	106073-R
TE CONNECTIVITY PART No.	△2-1437710-0
T&B FORD PART No.	MPIMA-R0R8XX
FORD PART No.	92GG-14A464-BHB
TE CONNECTIVITY PART No.	4-1437709-5

△ OBSOLETE, SUPERSEDED BY 4-1437709-5

8 WAYS MALE, RED (WATERPROOF VERSION WITHOUT RETAINER)	
ASSEMBLY	
T&B UNIVERSAL PART No.	106071-R
TE CONNECTIVITY PART No.	-
T&B FORD PART No.	MPIMA-R008XX
FORD PART No.	92GG-14A464-AHA
TE CONNECTIVITY PART No.	-

8 WAYS MALE, RED (NON-WATERPROOF VERSION WITH RETAINER)	
ASSEMBLY	
T&B UNIVERSAL PART No.	106074-R
TE CONNECTIVITY PART No.	-
T&B FORD PART No.	MPIMA-RAR8XX
FORD PART No.	92GG-14489-BHC
TE CONNECTIVITY PART No.	-

8 WAYS MALE, RED (NON-WATERPROOF VERSION WITHOUT RETAINER)	
ASSEMBLY	
T&B UNIVERSAL PART No.	106072-R
TE CONNECTIVITY PART No.	-
T&B FORD PART No.	MPIMA-RA08XX
FORD PART No.	92GG-14489-AHB
TE CONNECTIVITY PART No.	-

THIS DRAWING IS A CONTROLLED DOCUMENT.		DWG: W. PALM 21FEB2006 CDR: R. MARTIN 21FEB2006 APPR: S. GENTILE 21FEB2006	 TE Connectivity
DIMENSIONS: 0 DIM: 0 1 2 3 4 5 6 7 8 9 10 11 12 13 14 15 16 17 18 19 20 21 22 23 24 25 26 27 28 29 30 31 32 33 34 35 36 37 38 39 40 41 42 43 44 45 46 47 48 49 50 51 52 53 54 55 56 57 58 59 60 61 62 63 64 65 66 67 68 69 70 71 72 73 74 75 76 77 78 79 80 81 82 83 84 85 86 87 88 89 90 91 92 93 94 95 96 97 98 99 100	NAME: 1.6mm SYSTEM 8 WAYS CONNECTOR MALE PRODUCT SPEC: 108-20269 APPLICATION SPEC: 411-20111 SIZE: CASE CODE (DRAWING NO): 00779 DRAWING NO: 1418077 RESTRICTED TO: - SCALE: 5:1 SHEET: 3 OF 3 REV: A4		

Mouser Electronics

Authorized Distributor

Click to View Pricing, Inventory, Delivery & Lifecycle Information:

[TE Connectivity:](#)

[4-1437710-9](#)