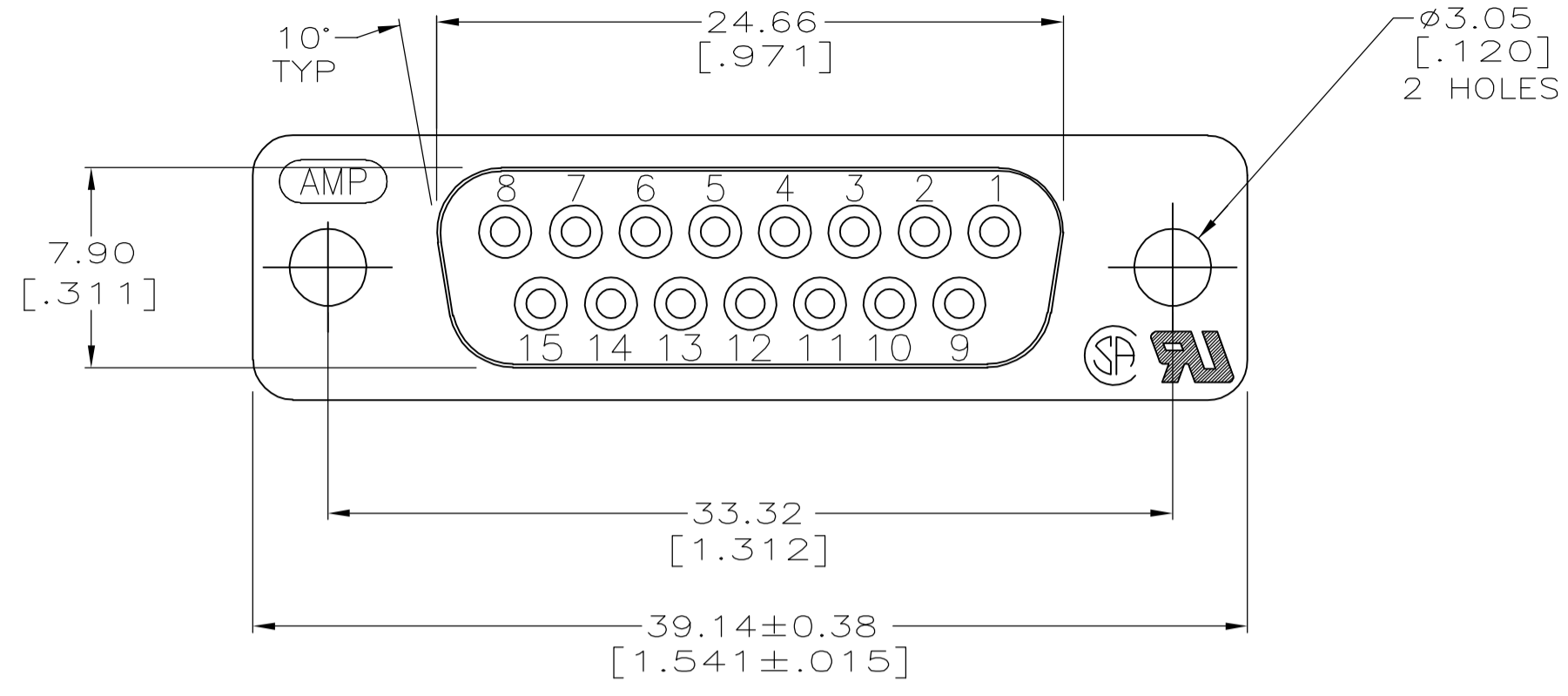
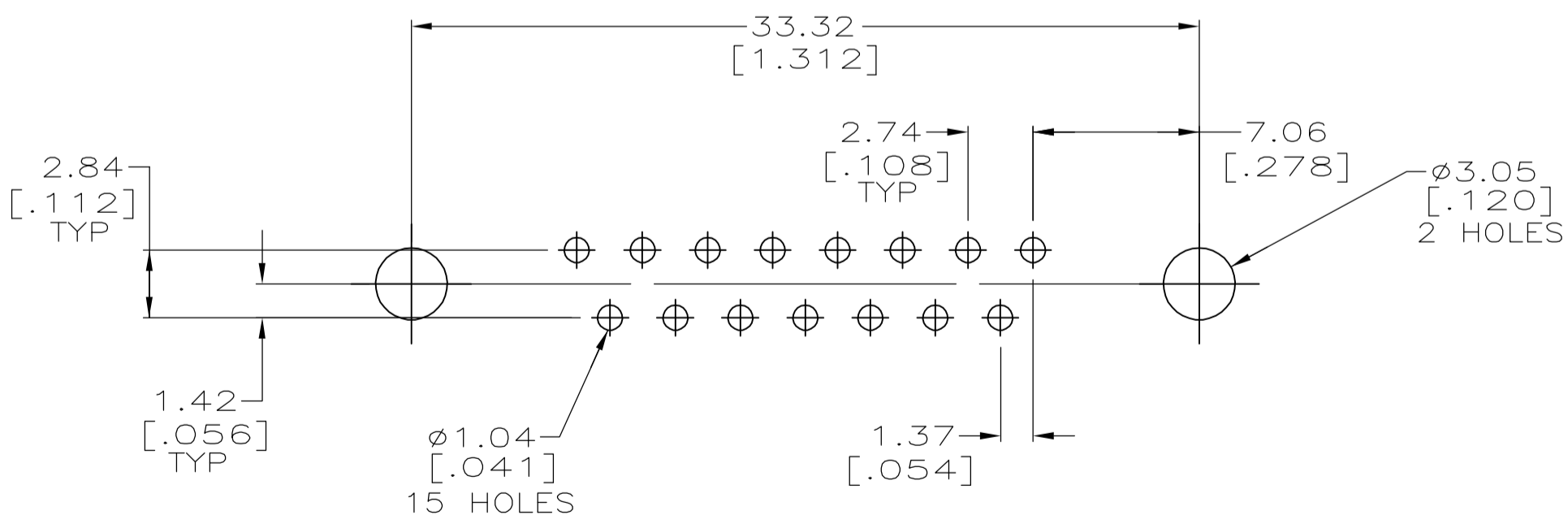
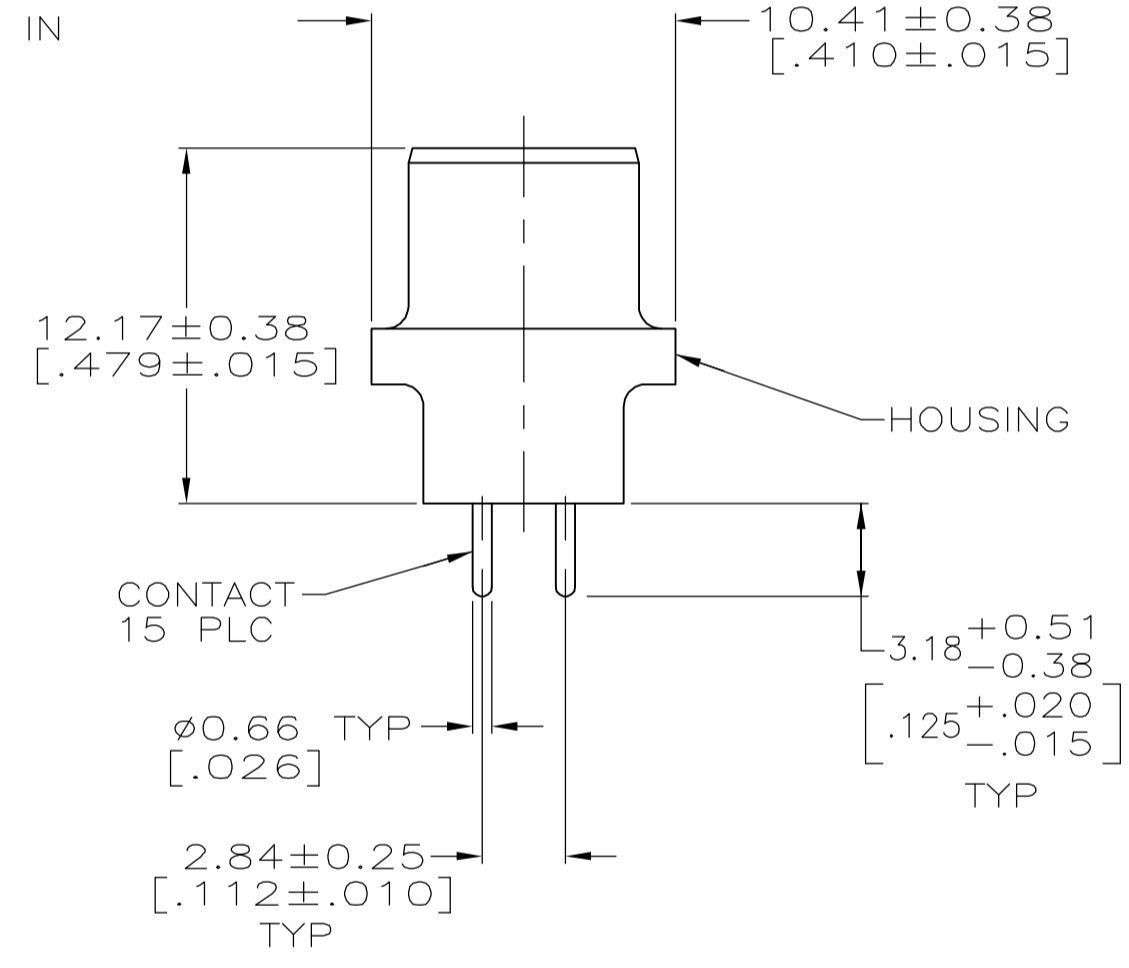
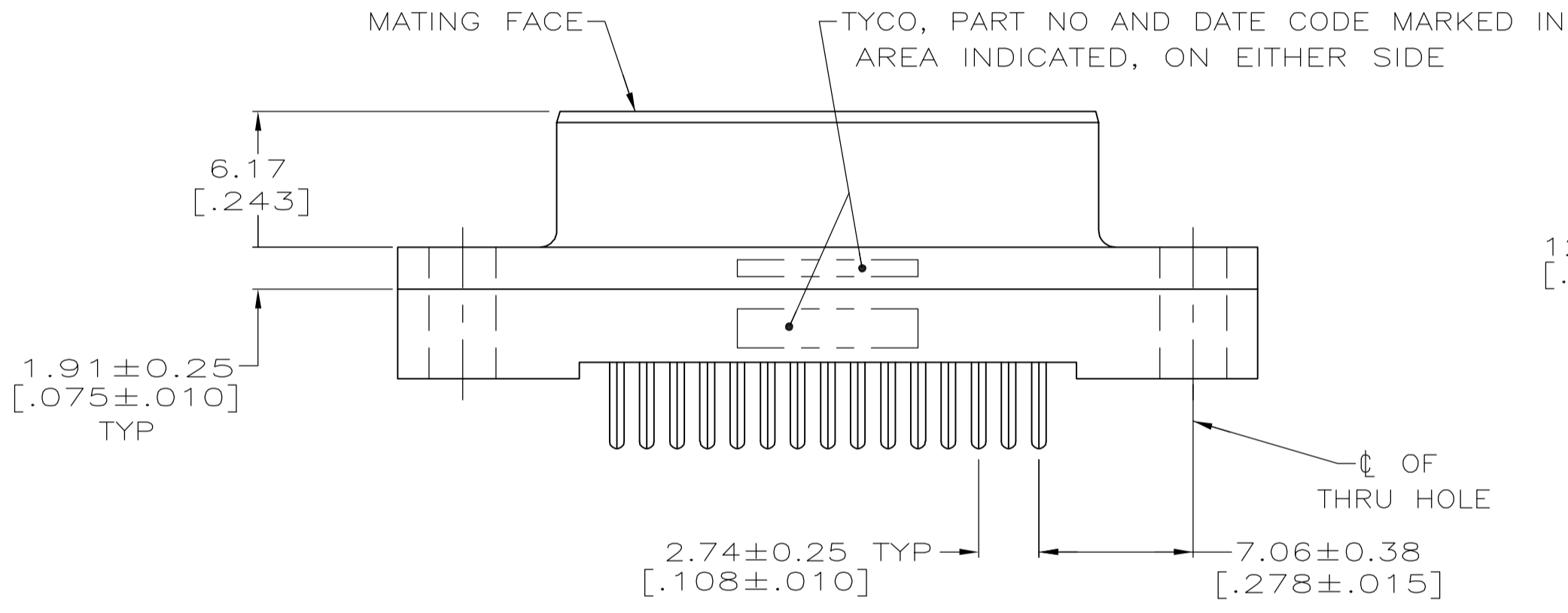


THIS DRAWING IS UNPUBLISHED. RELEASED FOR PUBLICATION
 © COPYRIGHT BY TYCO ELECTRONICS CORPORATION. ALL RIGHTS RESERVED.

| LOC | | DIST | | REVISIONS | | | |
|-----|-----|------------------------------|---------|-----------|------|--|--|
| P | LTR | DESCRIPTION | DATE | DWN | APVD | | |
| GP | 00 | | | | | | |
| | 0 | RELEASED PER EC 0513-0087-05 | 08SEP05 | GP | JG | | |



- 1 HOUSING: BLACK POLYESTER, UL 94V-0 RATED. CONTACTS: PHOSPHOR BRONZE.
- 2 GOLD FLASH FOR A LENGTH OF 2.54 [.100] MIN FROM MATING END, 2.54 µm [.000100] MIN TIN FOR A LENGTH OF 3.18 [.125] FROM OPPOSITE END, ALL OVER 1.27 µm [.000050] MIN NICKEL.
- 3 0.76 µm [.000030] MIN GOLD FOR A LENGTH OF 2.54 [.100] MIN FROM MATING END, 2.54 µm [.000100] MIN TIN FOR A LENGTH OF 3.18 [.125] FROM OPPOSITE END, ALL OVER 1.27 µm [.000050] MIN NICKEL.



RECOMMENDED PC BOARD MOUNTING DIMENSIONS

COPYRIGHT 2005 TYCO ELECTRONICS CORP ALL RIGHTS RESERVED

| | |
|----------------|-----------|
| 3 | 5207827-4 |
| 2 | 5207827-3 |
| CONTACT FINISH | PART NO |

| | | | | |
|--|-------------|-------------------------|--|-----------------|
| THIS DRAWING IS A CONTROLLED DOCUMENT. | | DWN G.PETERS 08SEP05 | tyco Tyco Electronics Corporation | |
| DIMENSIONS: INCHES | | CHK S.BOLASH 08SEP05 | Harrisburg, PA 17105-3608 | |
| TOLERANCES UNLESS OTHERWISE SPECIFIED: | | APVD M.WALMSLEY 08SEP05 | NAME | |
| 0 PLC ± - | 1 PLC ± - | PRODUCT SPEC | RECEPTACLE ASSEMBLY, SIZE 2, | |
| 2 PLC ± 0.13 [.005] | 3 PLC ± - | APPLICATION SPEC | 15 POSN, VERTICAL, | |
| 4 PLC ± - | ANGLES ± 2° | WEIGHT - | SIZE A2 | CAGE CODE 00779 |
| MATERIAL | FINISH | CONTACTS: SEE TABLE | DRAWING NO | RESTRICTED TO |
| 1 | | | C=5207827 | |
| CUSTOMER DRAWING | | | SCALE 4:1 | SHEET 1 of 1 |
| | | | REV 0 | |

Mouser Electronics

Authorized Distributor

Click to View Pricing, Inventory, Delivery & Lifecycle Information:

[TE Connectivity:](#)

[5207827-4](#)