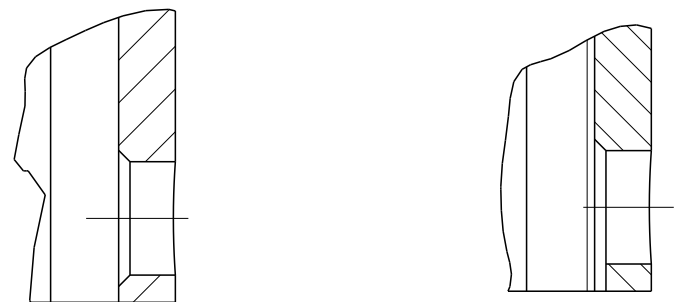


THIS DRAWING IS UNPUBLISHED. / RELEASED FOR PUBLICATION
 DIFFUSION RESTREINTE / LIBRE A LA DIFFUSION
 © COPYRIGHT - 2013 / ALL RIGHTS RESERVED. / TOUS DROITS RESERVES

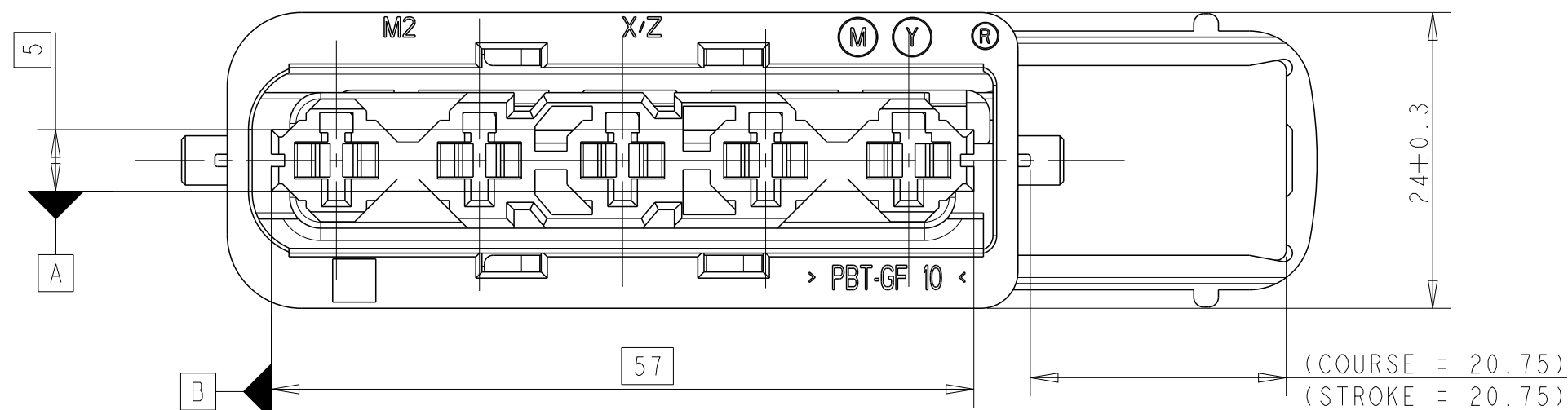
LOC F
 DIST 00

REVISIONS					
P	LTR	DESCRIPTION MODIFICATIONS	DATE	DWN DESS.	APVD APP.
A		SEE EC NUMBER ER00-9019-02	14JUN2002	PF s	JD r
B		ADD INC JET (DAY/YEAR) MARKING	29SEP2006	PF s	JD r
C		UPDATE 3D VIEW OF COMPONENT "B"	10AUG2011	PF s	JD r
D		ADDED POSSIBLE FORMS IN SLIDER	08NOV2017	ASB	SA

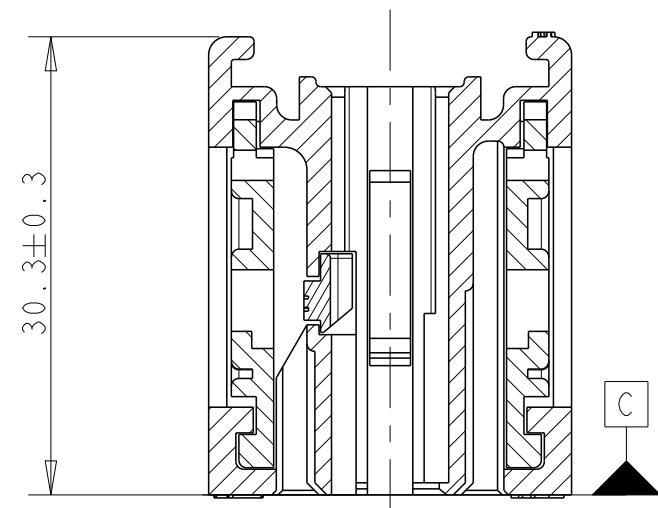
FORMES POSSIBLES DANS ETRIER
 POSSIBLE FORMS IN SLIDER



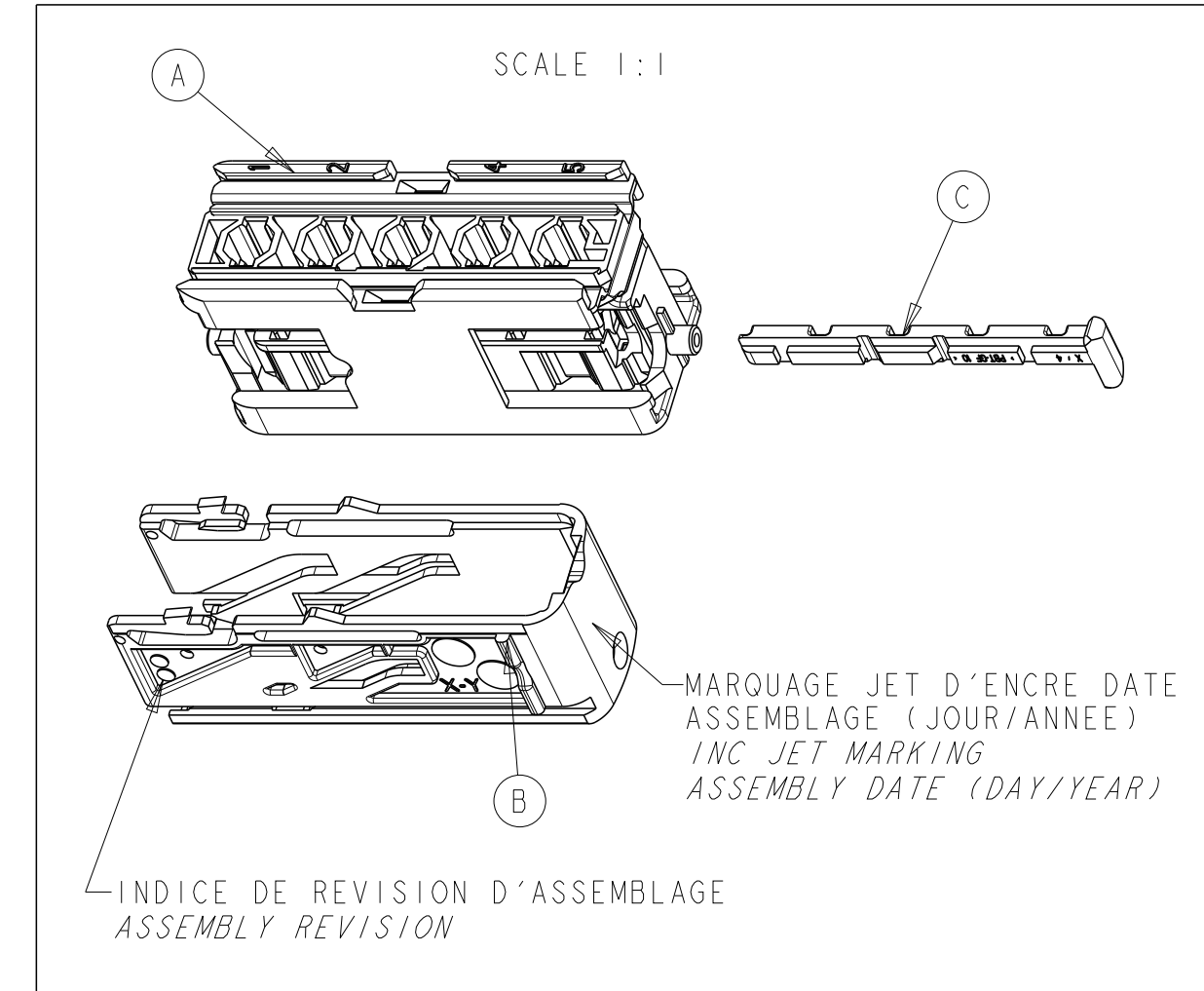
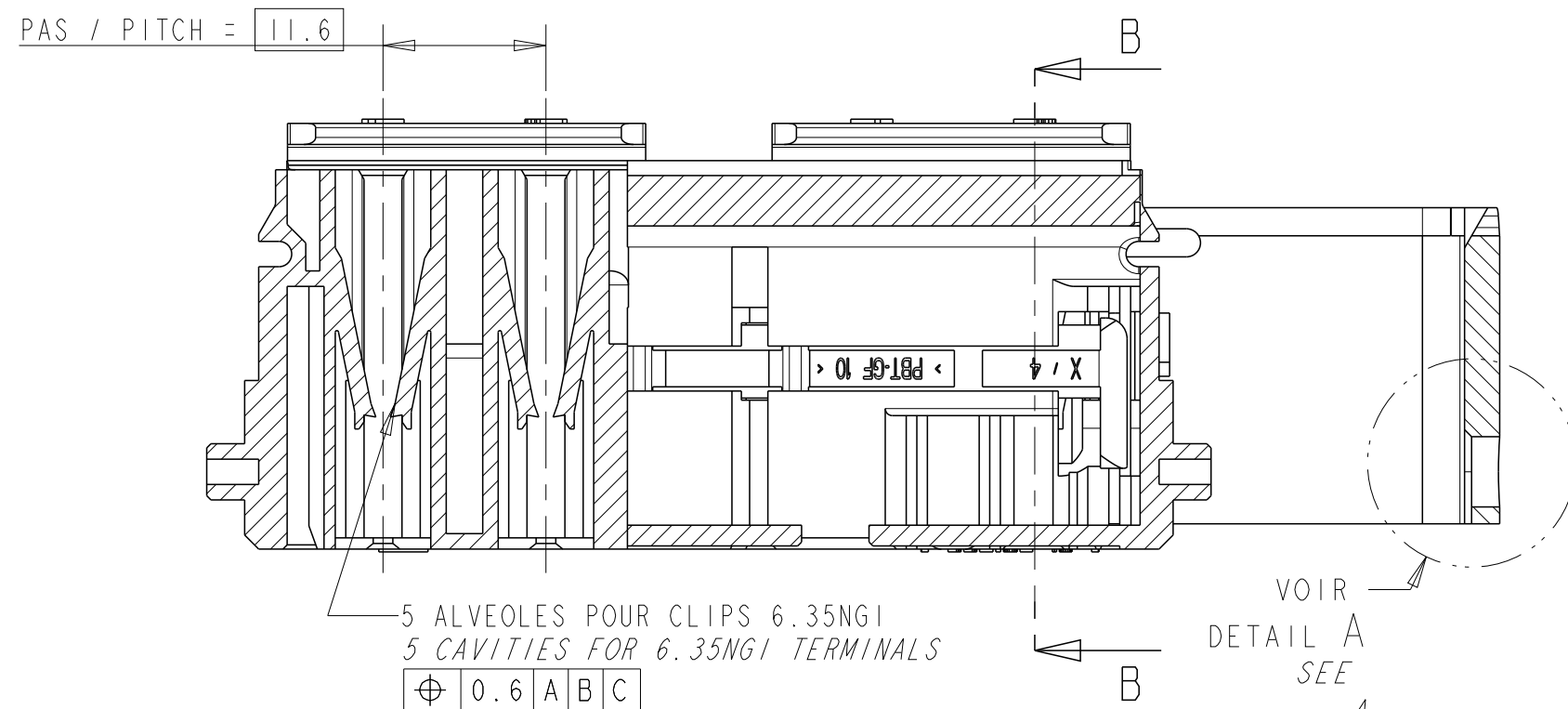
DETAIL A
 SCALE 3:1



SECTION B-B

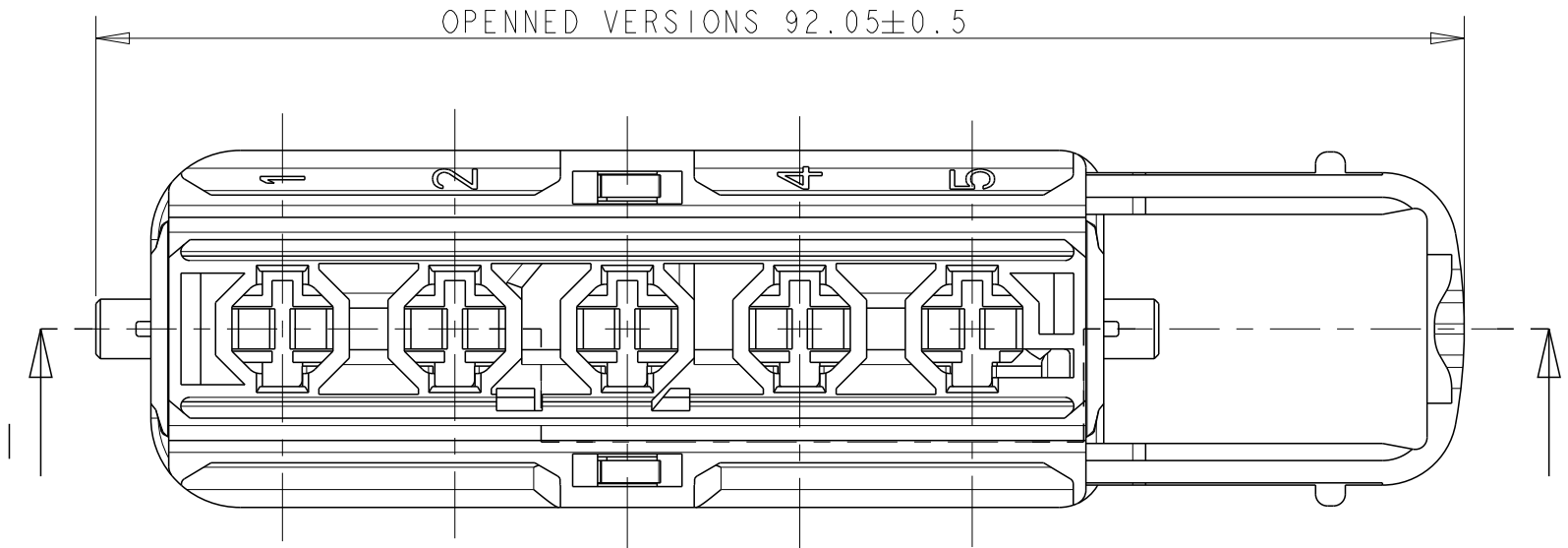
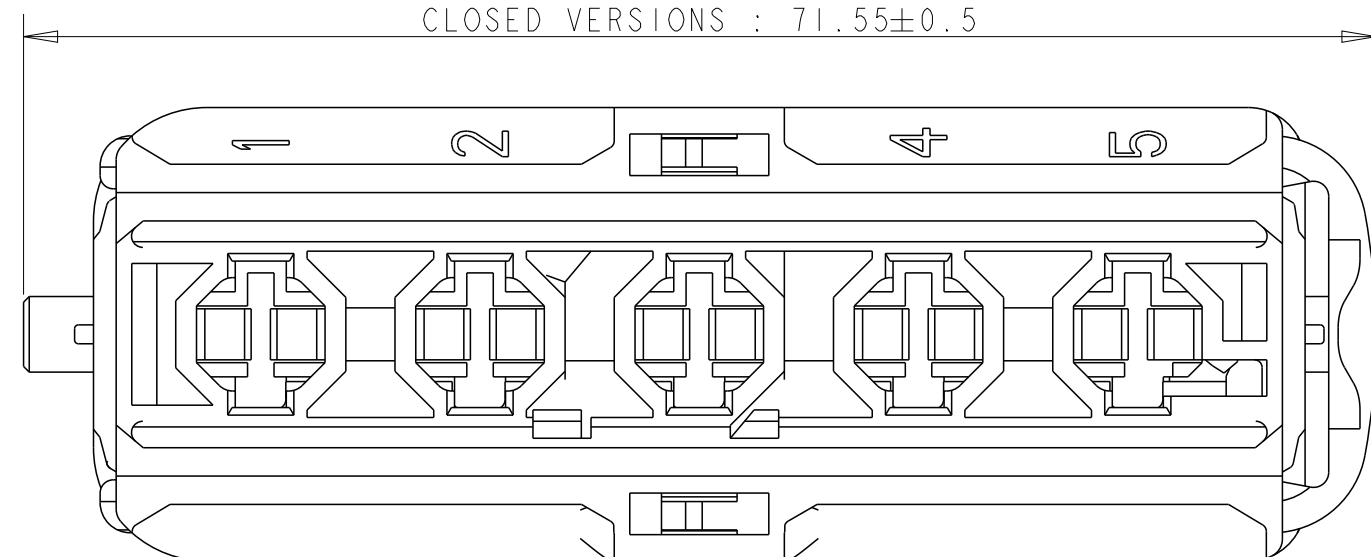


SECTION 1-1



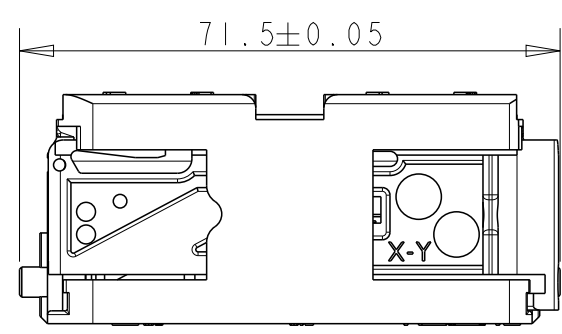
CLOSED VERSIONS : 71.55±0.5

OPENPED VERSIONS 92.05±0.5



NOTA / NOTE :
 - CONDITIONNEMENT, VOIR 107-15595
 - PACKAGING, SEE 107-15595

DIMENSIONS CONNECTEUR FERME
 CLOSED CONNECTOR DIMENSIONS



SCALE 1:1

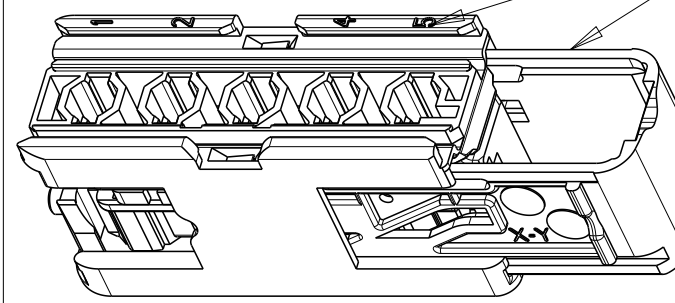
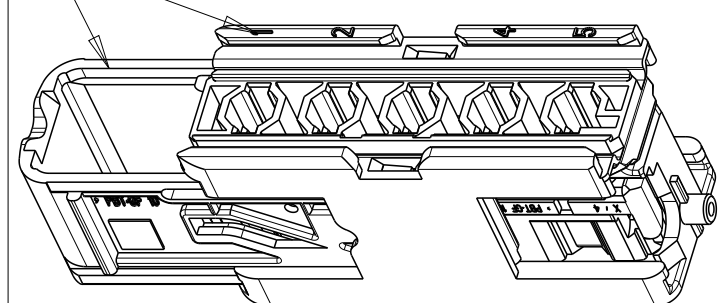
REFERENCES / PART NUMBER

1544551-2

1544551-1

ETRIER OUVERT DU COTE REPERE 1
 SLIDER OPENPED IN CAVITY NUMBER 1 SIDE

ETRIER OUVERT DU COTE REPERE 5
 SLIDER OPENPED IN CAVITY NUMBER 5 SIDE



THIS DRAWING IS A CONTROLLED DOCUMENT. / CE PLAN EST UN DOCUMENT CONTROLE PAR TYCO ELECTRONICS. IL EST SUSCEPTIBLE D'ETRE REVISE. CONTACTER LE SERVICE TECHNIQUE DE TYCO ELECTRONICS POUR OBTENIR LA DERNIERE REVISION.

DIMENSIONS: mm

TOLERANCES UNLESS OTHERWISE SPECIFIED: TOLERANCES NON SPECIFIEES (SUIV NR DE DECIMALES)

±0.2

ANGLES: ±2°

FINISH/FINITION

MATERIAL/MATIERE: SEE TABLE

REPERE / REPERE	DESIGNATION / DESCRIPTION	MATIERE / MATERIAL	COULEUR / COLOUR	Qty. / Qty.
C	VERROU SECONDAIRE / SECONDARY LOCKING	PBT GF10	JAUNE / YELLOW	1
B	ETRIER / SLIDER	PBT GF10	GRIS / GREY	1
A	PORTE CLIPS / TERMINAL RECEPTACLE HOUSING	PBT GF10	NOIR / BLACK	1

DWN / DESSINE: P. FLORES 14JUN02	NAME / TITRE: CONNECTEUR 5V CLIPS 6.35NGI	TE Connectivity
CHK / VERIFIE: C. GINET 14JUN02	APVD / APPROUVE: J. DAHER 14JUN02	
PRODUCT SPEC: 108-15368	APPLICATION SPEC: 411-15658	CAGE CODE: A200779 DRAWING NO: C-1544551 WEIGHT: 0.027 kg CUSTOMER DRAWING / PLAN CLIENT
UNIQUEMENT / POUR REFERENCE SCALE / ECHELLE: 2:1		SHEET / FEUILLE: 1 OF / DE: 1 REV: D

Mouser Electronics

Authorized Distributor

Click to View Pricing, Inventory, Delivery & Lifecycle Information:

[TE Connectivity:](#)

[1544551-1](#)