

## SUMMARY

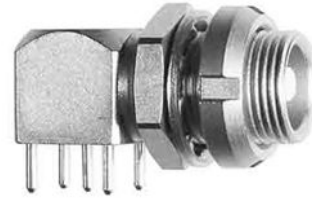


Image is for illustrative purpose only

### # Wires

Low	0
High	0
Coax	1
Triax	0
Quad	0
Fiber	0
Fluidic	0

### Download

[Request a quote](#)

[Catalog](#)

Series	00
Termination type	Female print PCB
IP rating	50
Cable Ø	0.00 - 0.00 mm
Status	active
Alternative part	
Matching parts	<a href="#">FVS.00.250.NTA</a>

## TECHNICAL DETAILS

### Mechanics

Shell Style/Model	EPS*: Elbow receptacle with two nuts, for printed circuit
Keying	Circular, female
Housing Material	Brass (nickel plated) shell, collet nut, latch sleeve and mid pieces
Variant	
Weight	5.45 g

### Performance

Configuration	00.250 : 1 Coax (50 Ohm)
Insulator	T: PTFE
Rated Current	4 Amps

### Specifications

Contact Type:	Coaxial 50 Ohm (Printed Circuit Board)
Contact Dia.:	0.7 mm (0.028in)
Test voltage:	2.1 kV (rms)
R (max):	6.1 mOhm

LEMO products and services are provided "as is". LEMO makes no warranties or representations with regard to LEMO product & services or use of them, express, implied or statutory, including for accuracy, completeness, or security. The user is fully responsible for his products and applications using LEMO components.

Vtest: 2100 V (AC), 3000 V (DC)

\$

Impedance: 50 Ohm

VSWR:  $1.09 + 0.11 * f/\text{GHz}$

## Others

Endurance (Shell): 5000 mating cycles

F ret (min): 100 N

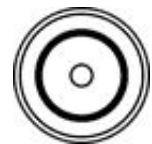
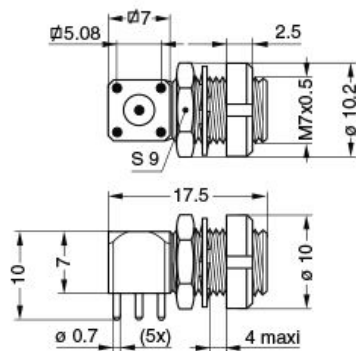
Salt Spray Corrosion: >144 hr

IP Rating: 50

---

## DRAWINGS

### Draws



### Dimensions

	A	L	e
mm.	7	17.5	M7x0.5
in.	0.28	0.69	

---

## RECOMMENDED BY LEMO

### Tools

None

### Cables

LEMO products and services are provided "as is". LEMO makes no warranties or representations with regard to LEMO product & services or use of them, express, implied or statutory, including for accuracy, completeness, or security. The user is fully responsible for his products and applications using LEMO components.

*LEMO products and services are provided "as is". LEMO makes no warranties or representations with regard to LEMO product & services or use of them, express, implied or statutory, including for accuracy, completeness, or security. The user is fully responsible for his products and applications using LEMO components.*