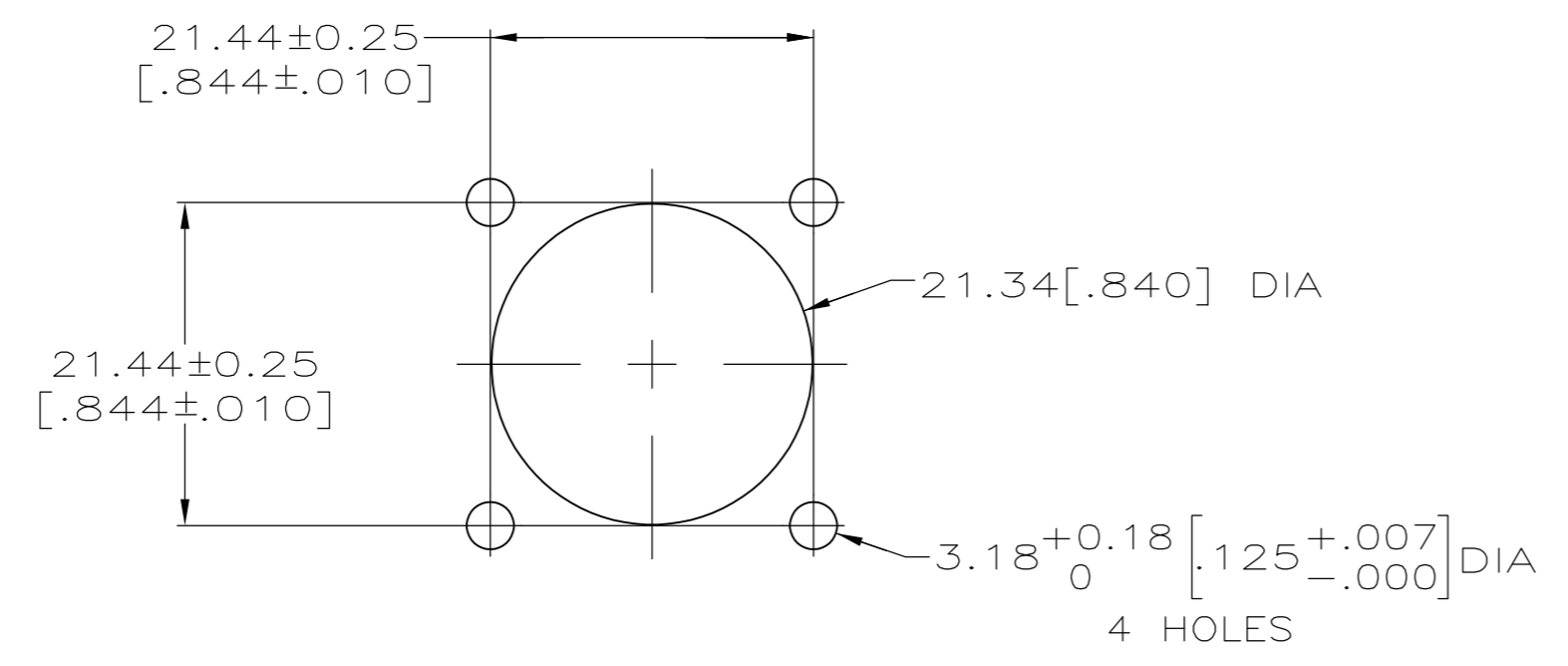
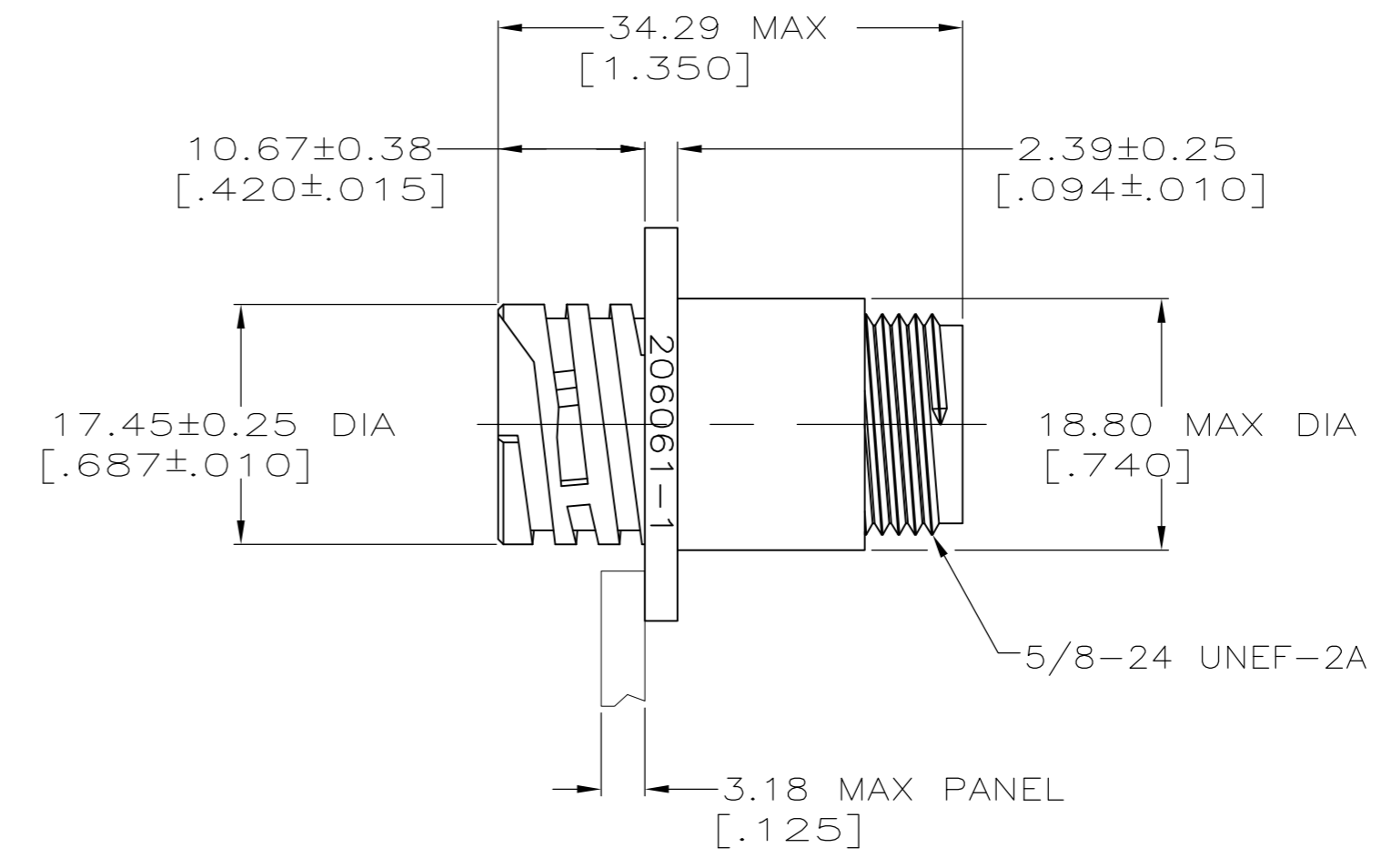
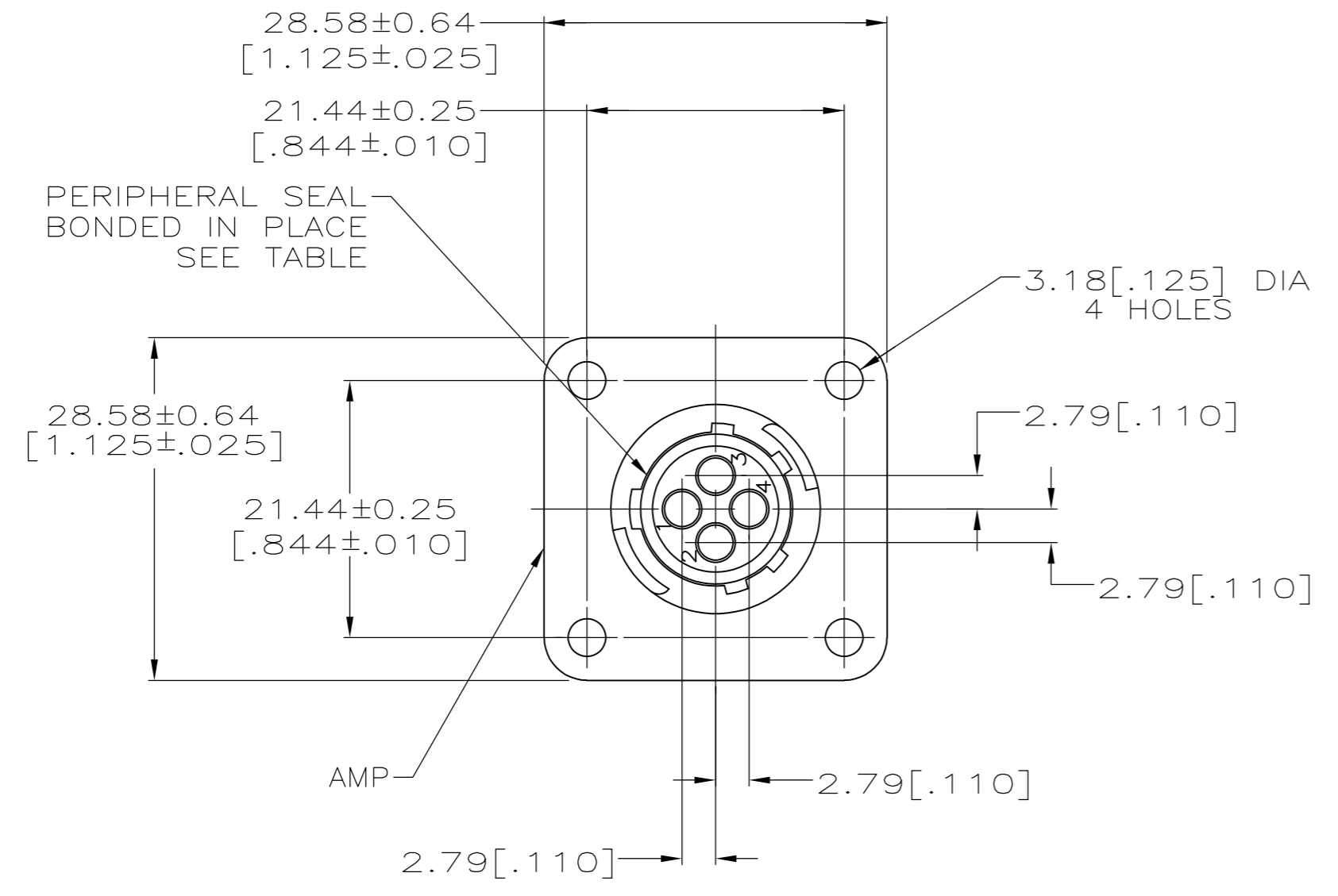
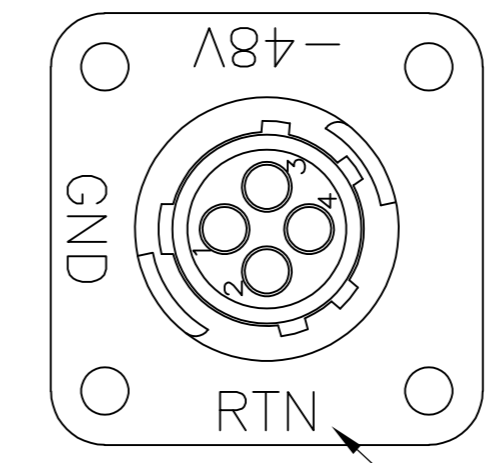


THIS DRAWING IS UNPUBLISHED. RELEASED FOR PUBLICATION
 © COPYRIGHT - By - ALL RIGHTS RESERVED.

REVISIONS					
P	LTR	DESCRIPTION	DATE	DWN	APVD
F1		REVISED PER ECO-11-004587	11MAR11	RK	HMR
G		REVISED PER ECO-17-000037	10MAR2017	RS	MZ



RECOMMENDED PANEL CUTOUT



RTN, GND AND -48V MARKED WITH WHITE INK, .118 MAX.

- NOTES:
1. CAVITY IDENTIFICATION ON FRONT AND REAR FACE.
 2. WILL ACCEPT FOUR (4) MULTIMATE PIN CONTACTS.

OBSOLETE	DETAIL A	STANDARD	NO	206061-5
	-	SMALL PACK	NO	206061-3
	-	STANDARD	YES	206061-2
	-	STANDARD	NO	206061-1
	MARKING	PACKAGING	PERIPHERAL SEAL	PART NO.

THIS DRAWING IS A CONTROLLED DOCUMENT.		DWN 07/26/93 D.GELTZ		
DIMENSIONS: INCHES		CHK 08/11/93 R.STONE		
TOLERANCES UNLESS OTHERWISE SPECIFIED:		APVD -	NAME	
0 PLC ± -		PRODUCT SPEC	RECEPTACLE HOUSING, STANDARD	
1 PLC ± -		APPLICATION SPEC	SEX, SHELL SIZE 11, CPC	
2 PLC ± 0.13 [.005]		108-10024	SIZE	CAGE CODE
3 PLC ± -			A2	00779
4 PLC ± -			DRAWING NO	RESTRICTED TO
ANGLES ± -			C=206061	-
FINISH		WEIGHT	SCALE	SHEET
NYLON, BLACK		-	2:1	1 of 1
		CUSTOMER DRAWING	REV	G