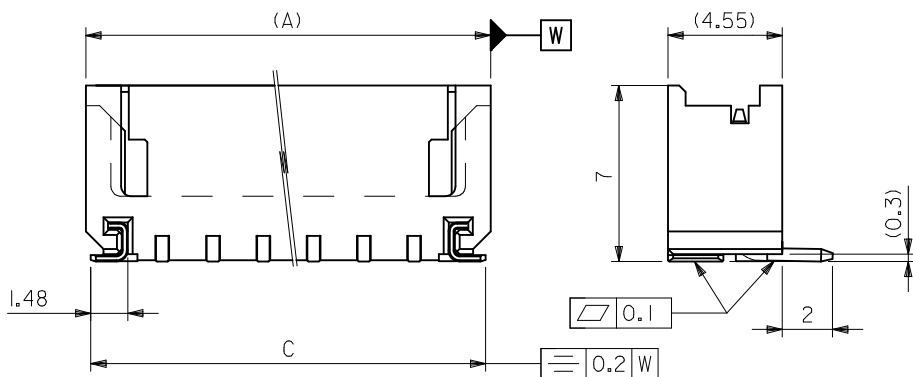


参考基板レイアウト
RECOMMENDED P.C.BOARD PATTERN DIM.(REF.)



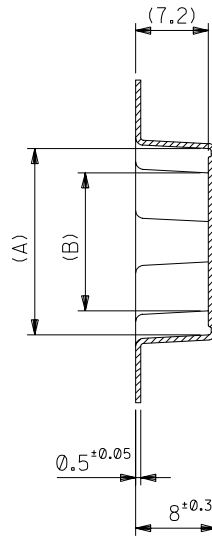
注記
NOTES

1. 材質
MATERIAL
ウエハー : PA (UL94V-0)
WAFER : PA (UL94V-0)
ピン : 黄銅 (口0.5), 銅下地錫メッキ
PIN : BRASS(0.5), TIN OVER COPPER PLATING
金具 : リン青銅(+0.25), ニッケル下地錫メッキ
NAIL : PHOSPHOR BRONZE(+0.25), TIN OVER NICKEL PLATING
2. 嵌合相手 : 51090, 52484 シリーズ
MATE WITH 51090, 52484 SERIES.
3. 本製品は 55460-***10 の鉛フリー品である。
THIS PRODUCT IS LEAD FREE OF 55460-***10.
4. ELV AND RoHS COMPLIANT.

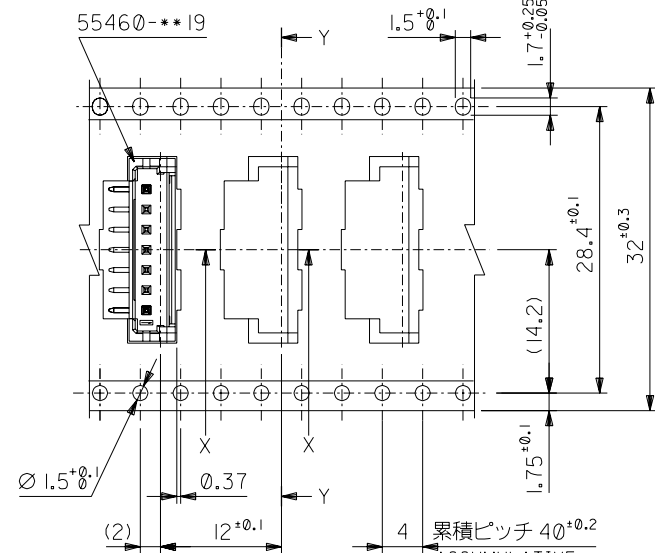
32.1	33.7	28	34.1	55460-1572	15
28.1	29.7	24	30.1	-1372	13
26.1	27.7	22	28.1	-1272	12
22.1	23.7	18	24.1	-1072	10
18.1	19.7	14	20.1	-0872	8
16.1	17.7	12	18.1	-0772	7
14.1	15.7	10	16.1	-0672	6
12.1	13.7	8	14.1	-0572	5
10.1	11.7	6	12.1	-0472	4
8.1	9.7	4	10.1	-0372	3
6.1	7.7	2	8.1	55460-0272	2
D	C	B	A	EMBOSSED PACKAGE オーダー番号 ORDER No.	種数 CKTS.

CONNECTOR SERIES NO. 55460-***19

REVISED EC NO: J2013-0327 DRINKMATSUYAMA 2012/09/13 CHKD:KASAKAWA 2012/09/19 APPR:YOITO 2012/09/20	GENERAL TOLERANCES (UNLESS SPECIFIED)		DIMENSION STYLE MM ONLY	SCALE ---	DESIGN UNITS METRIC	THIRD ANGLE PROJECTION
	10 UNDER	±0.2	DRAWN BY T.UENO	DATE 2004/03/29	TITLE 2.0 W/B CONN WAFER ASSY FOR SMT ST molex DOCUMENT NO. SD-55460-010 SHEET NO. 1 OF 1	
	10 OVER 30 UNDER	±0.25	CHECKED BY M.SASAO	DATE 2004/03/29		
	30 OVER	±0.3	APPROVED BY YOITO	DATE 2012/09/20		
ANGULAR ±3° DRAFT WHERE APPLICABLE MUST REMAIN WITHIN DIMENSIONS		MATERIAL NO. SEE TABLE	SIZE A3			

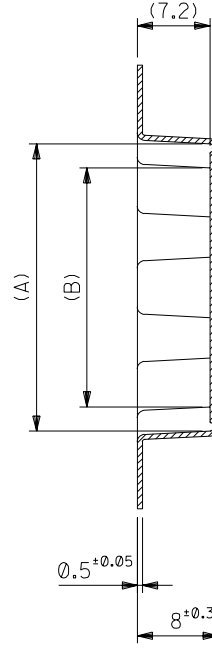


SECT. Y-Y

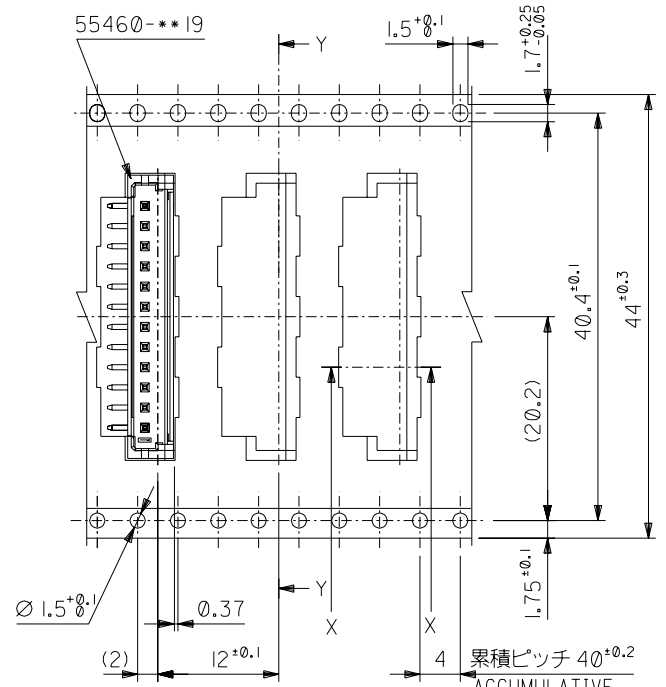


引き出し方向
PULL OUT DIRECTION

32mm幅キャリアテープ
32mm WIDTH CARRIER TAPE

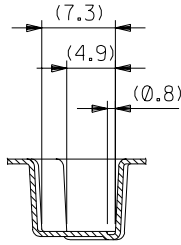


SECT. Y-Y



引き出し方向
PULL OUT DIRECTION

44mm幅キャリアテープ
44mm WIDTH CARRIER TAPE



SECT. X-X

44	49.4	45.4	25.7	30.45	55460-1372	13
			23.7	28.45	55460-1272	12
32	37.4	33.4	19.7	24.45	55460-1072	10
			15.7	20.45	55460-0872	8
			13.7	18.45	55460-0772	7
キャリアテープ幅	D	C	B	A	MATERIAL NO.	種数 CKTS.

55460-***72 MODEL NO. DIMENSIONS:
SCALE: mm INCH mm ONLY mm ONLY
DESIGN UNITS: mm INCH
THIRD ANGLE PROJECTION: THIRD ANGLE
SHT: REV
REVISION ON CAD ONLY

EC NO. DRWN: CHK: APPR:	EC NO. DRWN: CHK: APPR:	EC NO. DRWN: CHK: APPR:	EC NO. DRWN: CHK: APPR:	EC NO. DRWN: CHK: APPR:	EC NO. DRWN: CHK: APPR:
EC NO. SEE SHEET 1 OF 3					
REV					

DESCRIPTION	MATERIAL 材料	FINISH 仕上げ	WIRE RANGE 適用電線範囲	INS. RANGE 被覆外径
	SHEET 1 OF 3 参照 SEE SHEET 1 OF 3	//	//	//

GENERAL TOLERANCES: (UNLESS SPECIFIED) 一般公差	SCALE	DESIGN UNITS	THIRD ANGLE PROJECTION	DIMENSIONS:	SHT	REV
10 UNDER 未満 ±0.2	<input checked="" type="checkbox"/> mm <input type="checkbox"/> INCH	<input checked="" type="checkbox"/> mm <input type="checkbox"/> INCH	<input checked="" type="checkbox"/> THIRD ANGLE	<input type="checkbox"/> mm <input type="checkbox"/> INCH <input type="checkbox"/> mm ONLY <input checked="" type="checkbox"/> mm ONLY		
10 OVER 30 UNDER 未満 ±0.25						
30 OVER 以上 ±0.3						
ANGLE 角度 ±3°						

DRAWN BY & DATE: T.UENO '04/03/29
CHECKED BY & DATE: M.SASAO '04/03/29
APPROVED BY & DATE: M.SASAO '04/03/29
TITLE: 2.0 WtB Conn WAFER Assy Embstp pkg -LEAD FREE-
MOLEX MOLEX INCORPORATED
CAD FILENAME: SD-55460-011.S02
MATERIAL NO.: SEE CHART
DRAWING NO.: SD-55460-011
SHEET NO.: 2 OF 3
THIS DRAWING CONTAINS INFORMATION THAT IS PROPRIETARY TO MOLEX INCORPORATED AND SHOULD NOT BE USED WITHOUT WRITTEN PERMISSION.
SIZE B

DO NOT SCALE DRAWING

DWG. NO.
SD-55460-011

F

D

V

C

B

DO NOT SCALE DRAWING

8

7

6

5

4

3

2

1

F

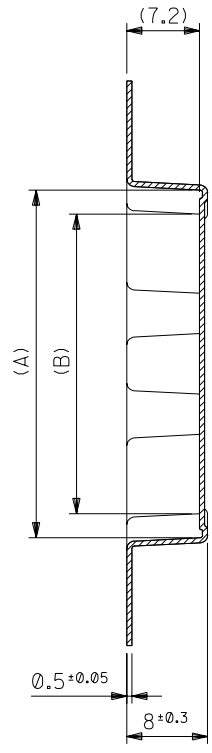
E

D

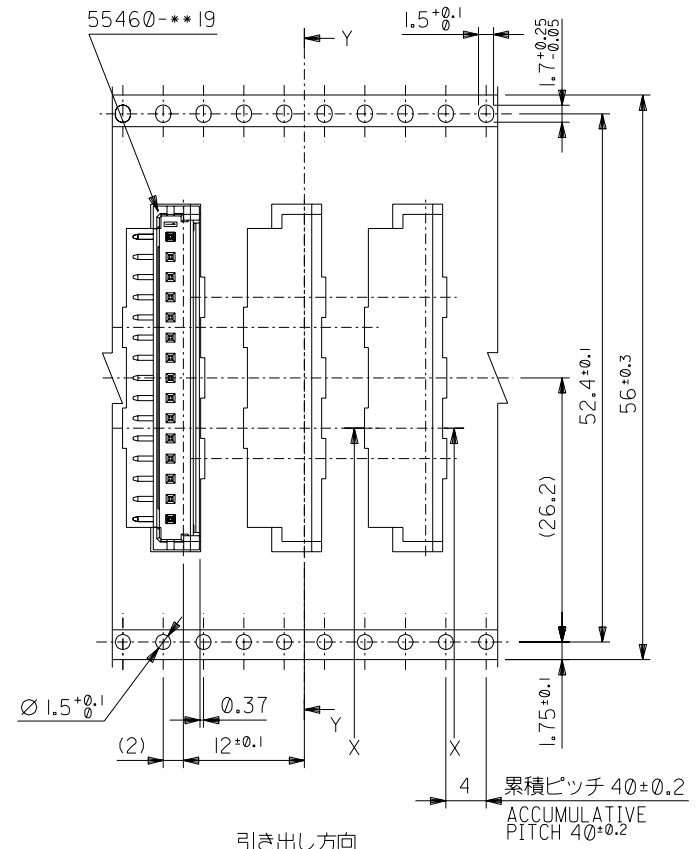
C

B

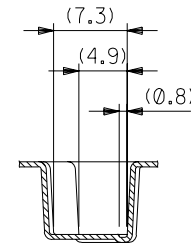
A



SECT. Y-Y



引き出し方向
PULL OUT DIRECTION
56mm幅キャリアテープ
56mm WIDTH CARRIER TAPE



SECT. X-X

56	61.4	57.4	29.7	34.45	55460-1572	15
キャリアテープ幅	D	C	B	A	MATERIAL NO.	種数 CKTS.

55460-***72		MODEL NO.	DIMENSIONS:		SHT	REV
SCALE	DESIGN UNITS	THIRD ANGLE PROJECTION	<input type="checkbox"/> mm	<input type="checkbox"/> INCH	<input checked="" type="checkbox"/> mm	REVISION ON CAD ONLY

DRAWN BY & DATE T.UENO '04/03/29		TITLE: 2.0 WtB Conn WAFER Assy Embstp pkg -LEAD FREE-			
CHECKED BY & DATE M.SASAO '04/03/29		MOLEX INCORPORATED			
APPROVED BY & DATE M.SASAO '04/03/29					
CAD FILENAME SD-55460-011.S03	MATERIAL NO. SEE CHART	DRAWING NO. SD-55460-011	SHEET NO. 3 OF 3		

EC NO. DRAWN: CHK'g: APPR'g:	EC NO. DRAWN: CHK'g: APPR'g:	EC NO. DRAWN: CHK'g: APPR'g:	EC NO. DRAWN: CHK'g: APPR'g:	EC NO. DRAWN: CHK'g: APPR'g:	EC NO. DRAWN: CHK'g: APPR'g: SEE SHEET 1 OF 3
REV	DESCRIPTION	MATERIAL 材料	GENERAL TOLERANCES: (UNLESS SPECIFIED) 一般公差		WIRE RANGE 適用電線範囲
		SHEET 1 OF 3参照 SEE SHEET 1 OF 3	10 UNDER 未満	±0.2	30 UNDER 未満
		FINISH 仕上げ	10 OVER 以上	±0.25	30 OVER 以上
		INS. RANGE 被覆外径	30 OVER 以上	±0.3	ANGLE 角度
				±3°	

THIS DRAWING CONTAINS INFORMATION THAT IS PROPRIETARY TO MOLEX INCORPORATED AND SHOULD NOT BE USED WITHOUT WRITTEN PERMISSION. SIZE B

8

7

6

5

4

3

2