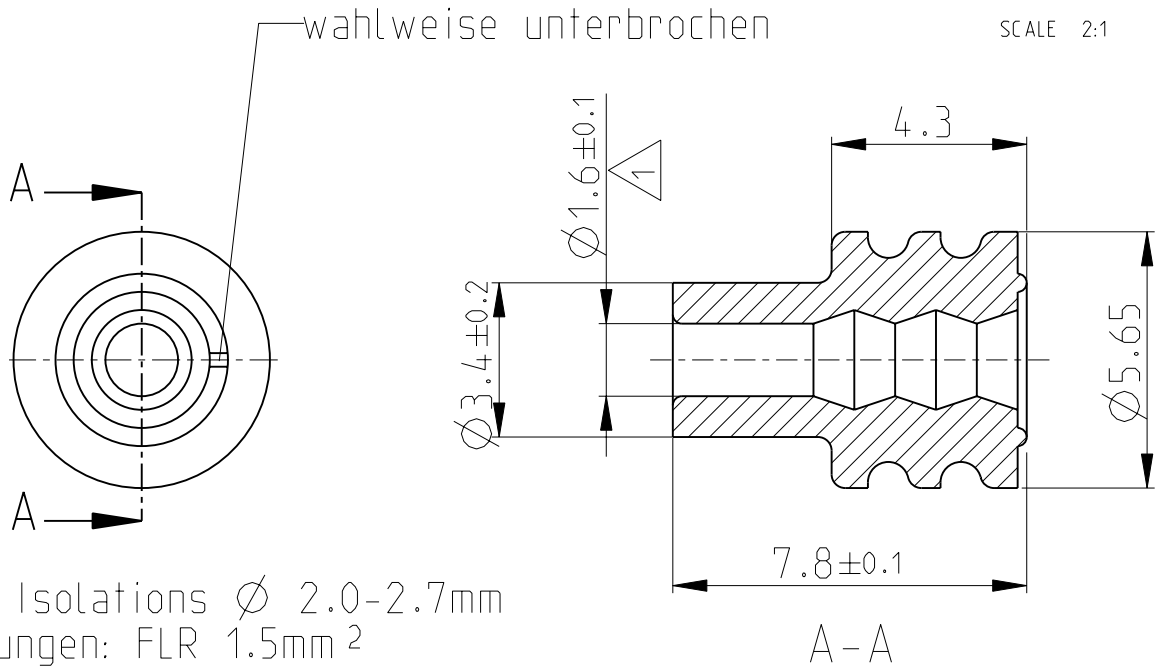


LOC	DIST	REVISIONS				
P	LTR	DESCRIPTION	DATE	DWN	APVD	
AI	-					
Pr-No 87-9088	G2	REVISED PER ECO-11-005027	20MAR2011	RK	HMR	



SCALE 2:1



1 Für Isolations \varnothing 2.0-2.7mm
 Leitungen: FLR 1.5mm²
 FLK 0.5-1.0mm²

963293-2	G	FLUOR-SILIKONKAUTSCHUK SHORE A 50°	rotbraun (~RAL 3011)
963293-1	F	SILIKONKAUTSCHUK SHORE A 50° lubriziert	braunrot (~RAL 3011)
BESTELL-NR.	REV.	WERKSTOFF	FARBE

19-
 RELEASED FOR PUBLICATION
 ALL RIGHTS RESERVED.
 BY -
 THIS DRAWING IS UNPUBLISHED.
 COPYRIGHT 19-

DIMENSIONS: mm	DWN R.SCHÖFER 29JAN97	MATERIAL	SEE TABLE	FINISH	SEE TABLE
TOLERANCES UNLESS OTHERWISE SPECIFIED:	CHK U.MÜNCK 29JAN97	TE Connectivity			
0 PLC ±	APVD -				
1 PLC ±	PRODUCT SPEC	NAME SINGLE-WIRE-SEAL INSULDIA 2.0-2.7 EINZELLEITERDICHTUNG			
2 PLC ±0.2	108-18159-1	SIZE	CAGE CODE	DRAWING NO	RESTRICTED TO
3 PLC ±	APPLICATION SPEC	A 4	00779	©-963293	-
4 PLC ±0.000	114-18018				
ANGLES ±	WEIGHT ca. 0.1g	CUSTOMER DRAWING			
		SCALE	10:1	SHEET	1 OF 1
				REV	G2

Mouser Electronics

Authorized Distributor

Click to View Pricing, Inventory, Delivery & Lifecycle Information:

[TE Connectivity:](#)

[963293-1](#)