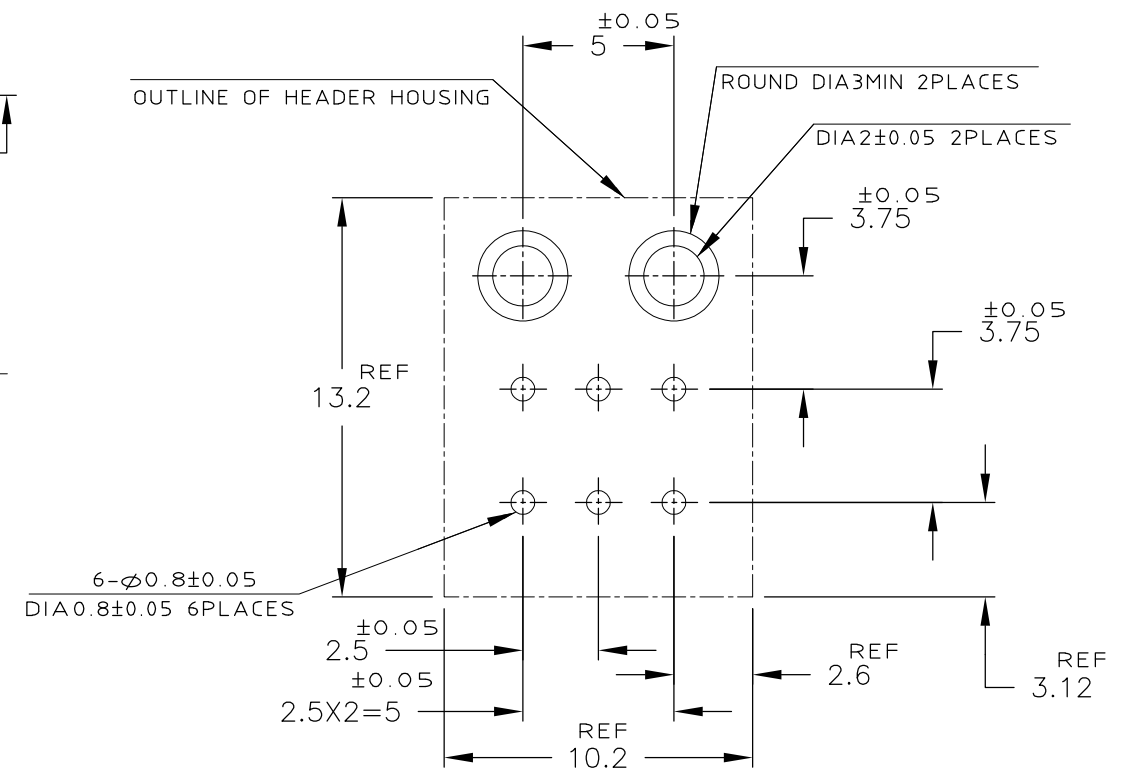
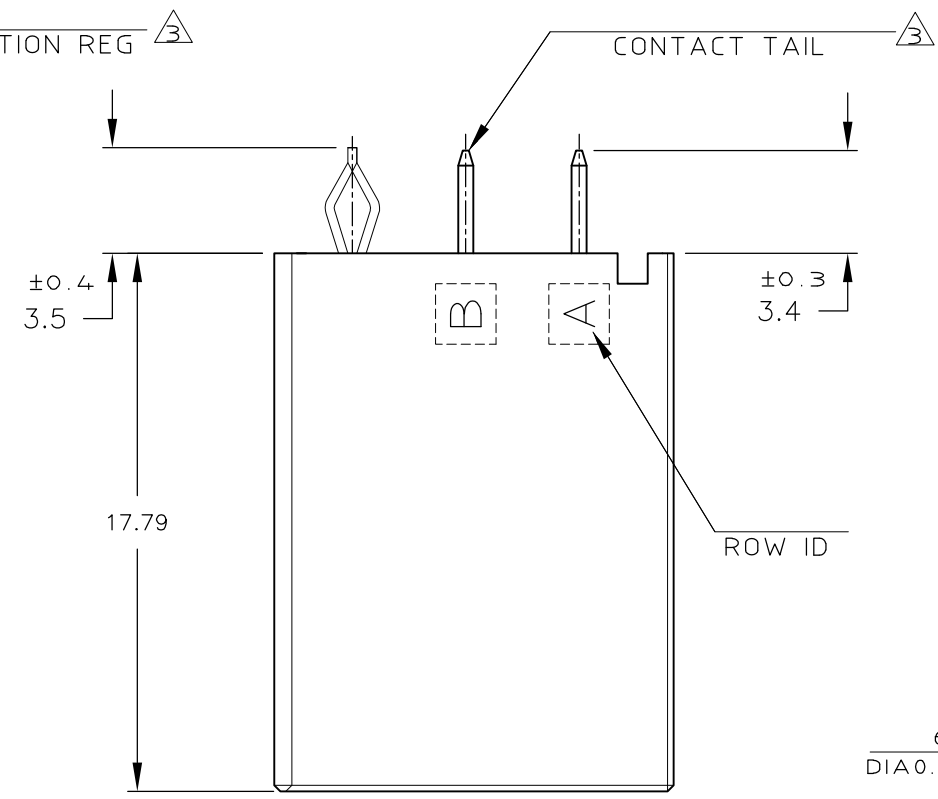
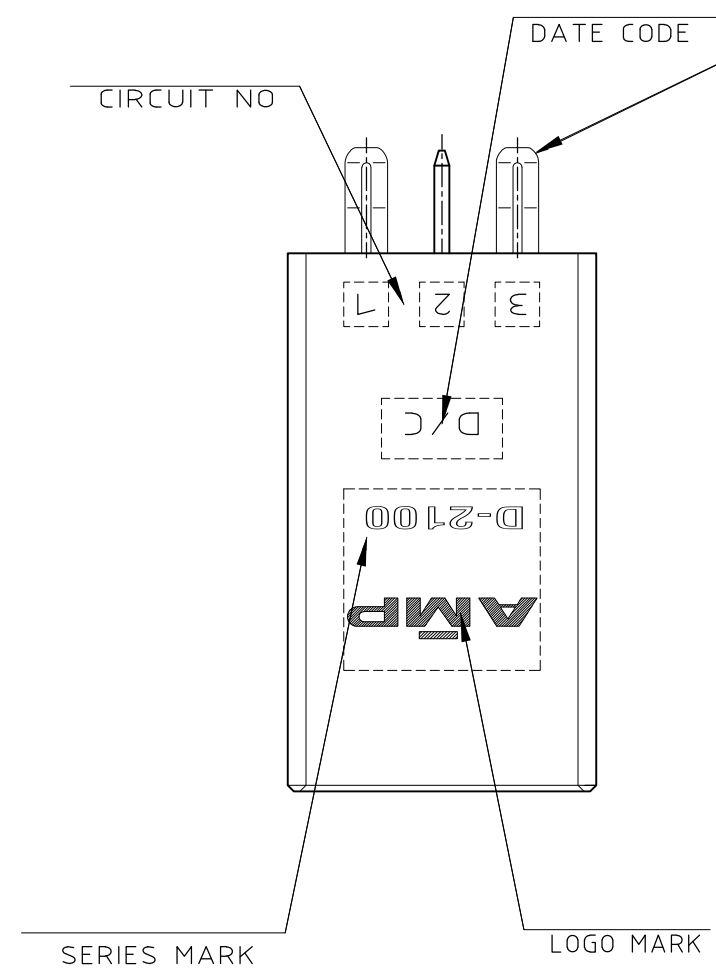
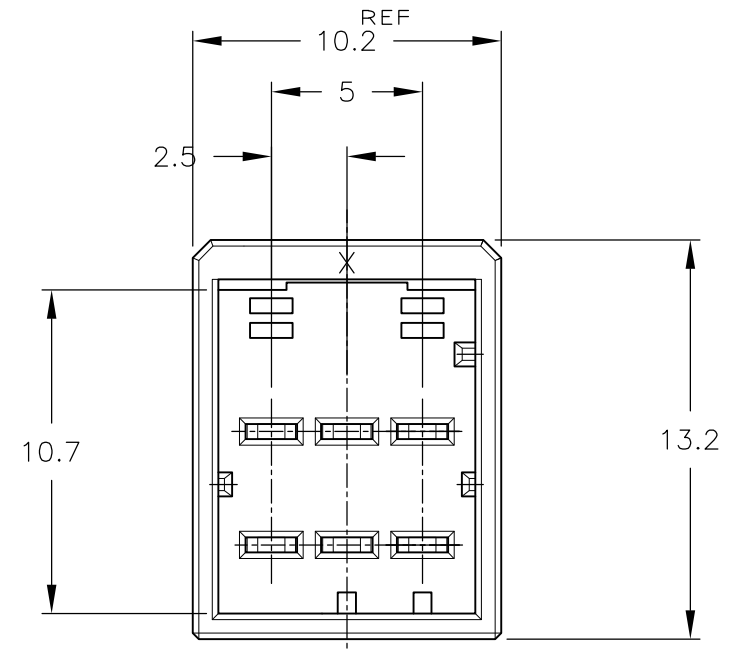


THIS DRAWING IS UNPUBLISHED. RELEASED FOR PUBLICATION ,1998
 © COPYRIGHT 2011APR BY-Tyco Electronics Japan G.K. ALL RIGHTS RESERVED.

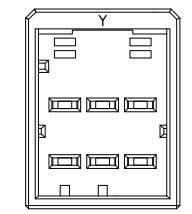
| LOC | DIST | REVISIONS | | | | | |
|-----|------|-----------|-----|-------------|---------|-----|------|
| J | ZDI | P | LTR | DESCRIPTION | DATE | DWN | APVD |
| | | C | | REVISED | 25APR11 | MM | NY |



RECOMENDED PC BOARD HOLE PATTERN(TOL:±0.05)
 PC BOARD THICKNESS:1.6±0.3
 (CONNECTOR MOUNT SIDE)



1318124-1
(KEYING X)



1318124-2
9-1318124-2
(KEYING Y)
SCALE:2-1

- NOTES
- MATERIAL:HOUSING:GLASS FILED THERMO PLASTIC POLYESTER(94V-0),
 COLOR : 1-/2- : BLACK
 : 9- : NATURAL
 TAB CONTACT:COPPER ALLOY
 RETENTION LEG:BRASS
 - FINISH(CONTACT AREA):0.38μMIN GOLD PLATING OVER Ni PLATING
 - FINISH(RETENTION LEG): TIN PLATED (CONTACT TAIL) OVER NICKEL

| | | |
|-----|---------|-------------|
| Y | NATURAL | 9-1318124-2 |
| Y | BLACK | 1318124-2 |
| X | BLACK | 1318124-1 |
| KEY | COLOR | PART NO |

| | | | |
|---------------------------|--|---|---------------|
| DWN K.IKEDA 7/DEC/'98 | | TE Connectivity | |
| CHK N.MATSUBARA 7/DEC/'98 | | | |
| APVD I.HASEGAWA 7/DEC/'98 | | NAME | |
| PRODUCT SPEC | | DOUBLE ROW HEADER ASS'Y 6P ("V"TYPE) <DYNAMIC D-2100D> | |
| APPLICATION SPEC | | DRAWING NO | |
| 108-5619 | | C-1318124 | |
| WEIGHT | | SIZE | RESTRICTED TO |
| T1 | | A3 | - |
| CUSTOMER DRAWING | | CAGE CODE | SCALE |
| | | 00779 | 4-1 |
| | | SHEET | REV |
| | | 1 | C |

Mouser Electronics

Authorized Distributor

Click to View Pricing, Inventory, Delivery & Lifecycle Information:

[TE Connectivity:](#)

[1318124-2](#)