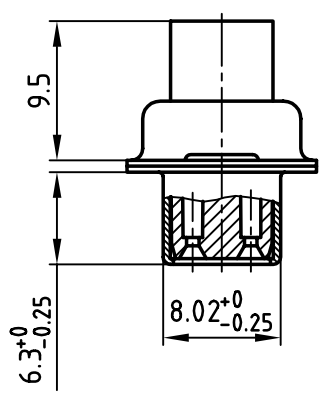
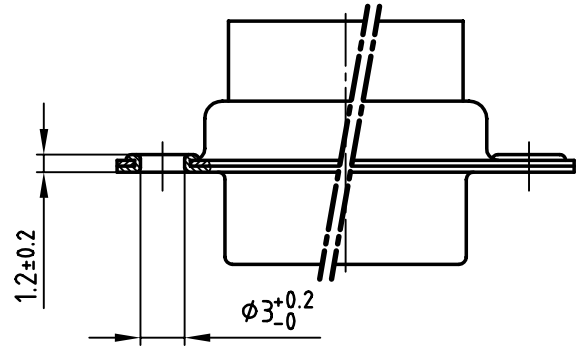
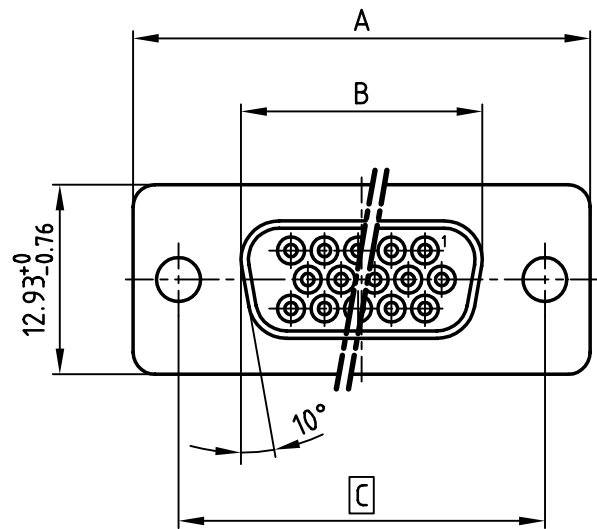


used for: D-SUB HD



Directive 2002/95/EC
"RoHS"
Compliant

POS.	A -0.76	B -0.25	C	Part-NO.
15	31.19	16.46	25.00 ^{+0.12} / _{-0.13}	164X11949X
26	39.52	24.79	33.30 ^{+0.15} / _{-0.1}	164X11959X
44	53.42	38.50	47.04 ±0.13	164X11969X
62	69.70	54.96	63.50 ±0.13	164X11979X

NOTES:
 1. METALSHELLS: STEEL; min. 320µ" TIN
 2. INSULATORS: PBT GF UL 94 V-0, BLACK
 3. = CRITICAL DIMENSION: SPC

THIS DRAWING MAY NOT BE COPIED OR REPRODUCED IN ANY WAY, AND MAY NOT BE PASSED ON TO A THIRD PARTY WITHOUT WRITTEN PERMISSION.
 OWNERSHIP AND COPYRIGHT OF CONEC GmbH
 DO NOT ALTER CAD DRAWING BY HAND

			tolerance		scale: 2:1
			2001	date	name
			drawn	12.03.	Parei
			appd.	12.03.	E. Mickenbecker
			norm		
			d-old		
rev.	description	date			

material: SEE NOTES	
title: D-SUB HD FEMALE CRIMP-VERSION 15-62pos.	
dwg no: AutoCAD 2000	DIN-A 4
part no: SEE TABLE	
sh: 1/1	

Mouser Electronics

Authorized Distributor

Click to View Pricing, Inventory, Delivery & Lifecycle Information:

[CONEC:](#)

[164X11949X](#) [164X11959X](#) [164X11969X](#)