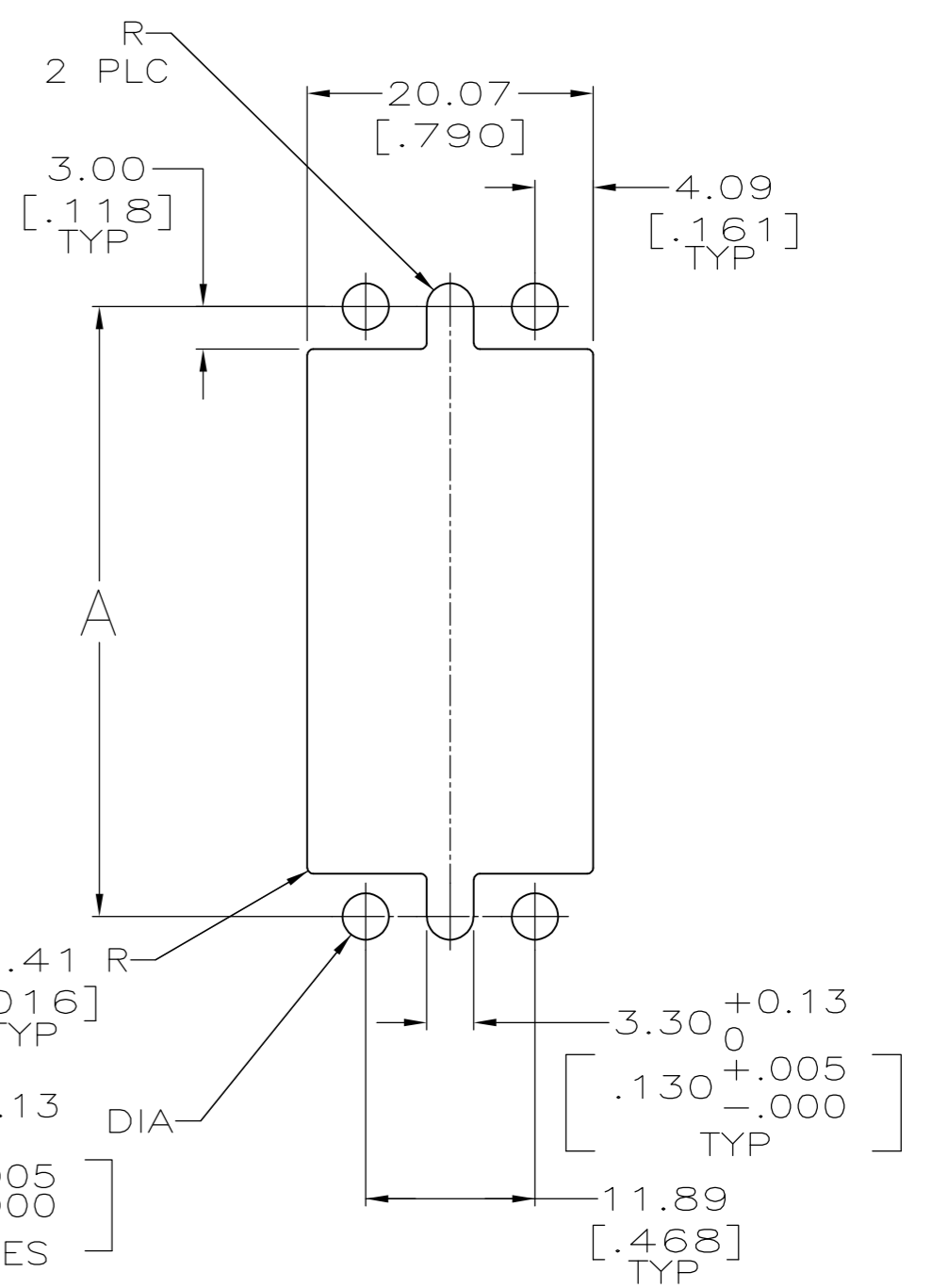
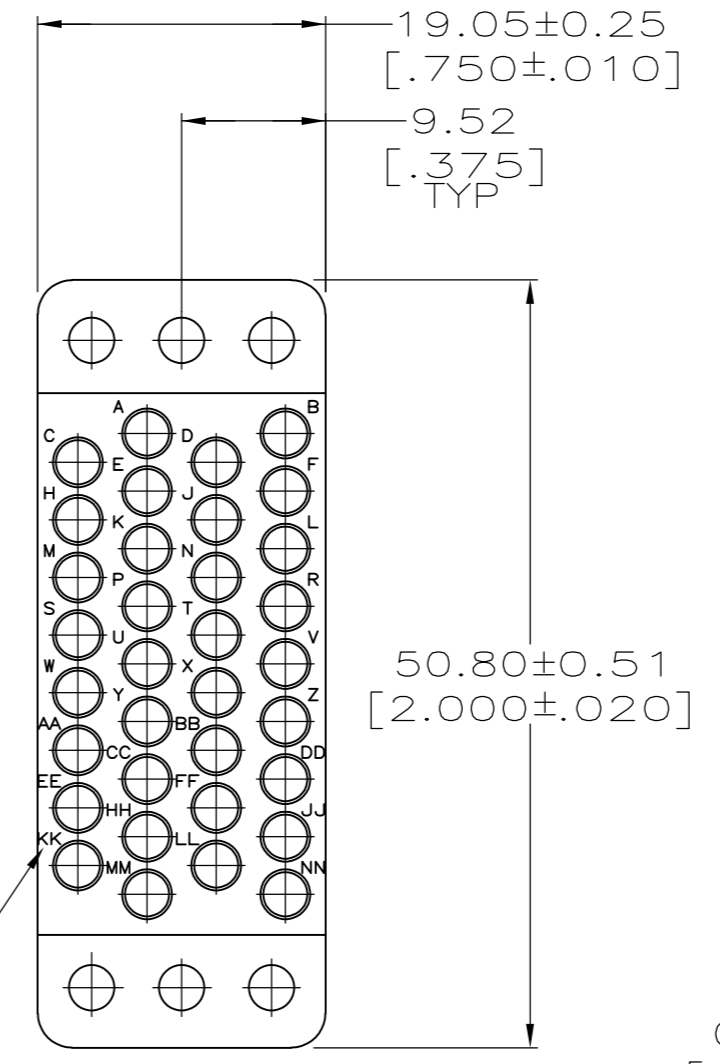
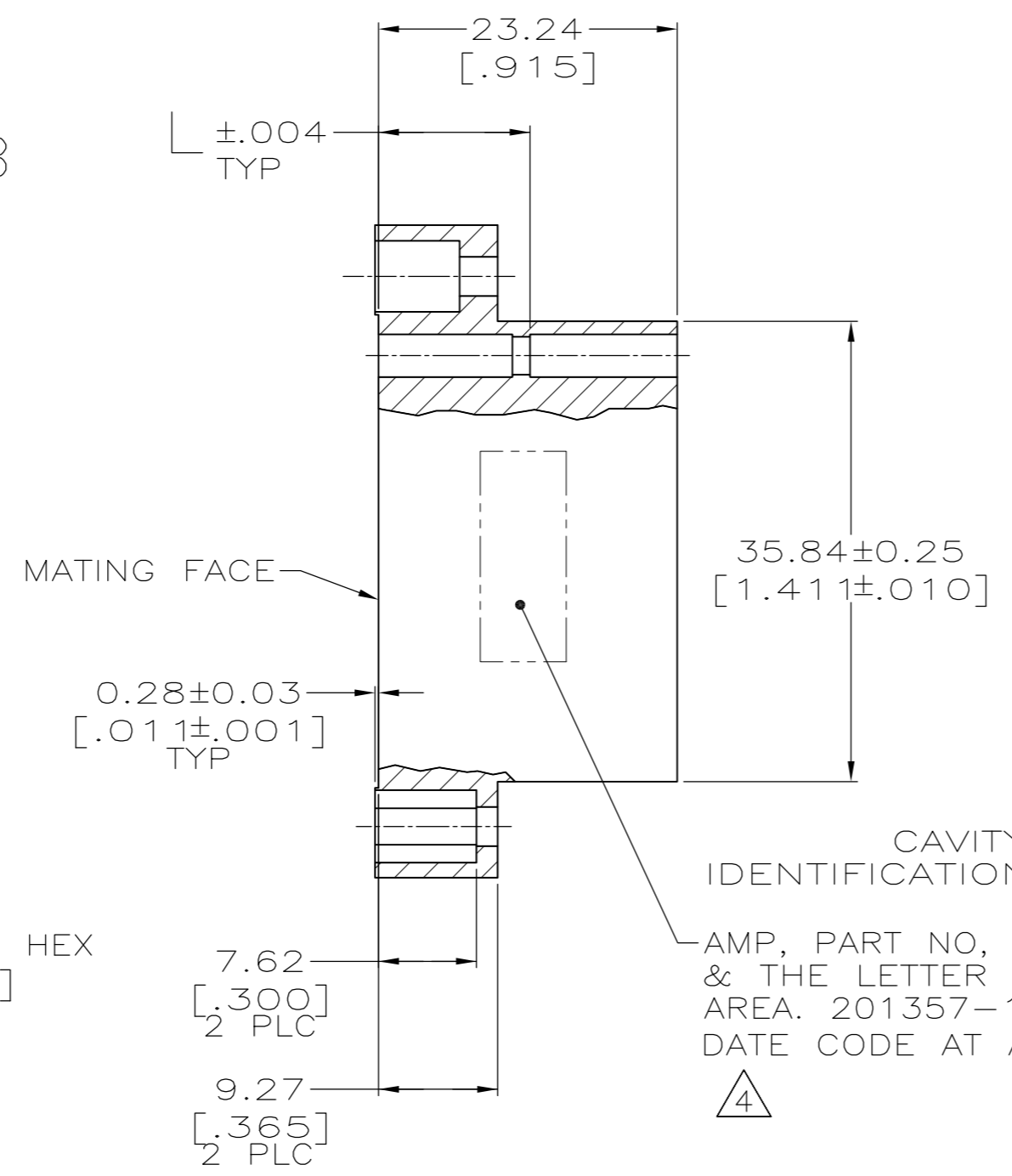
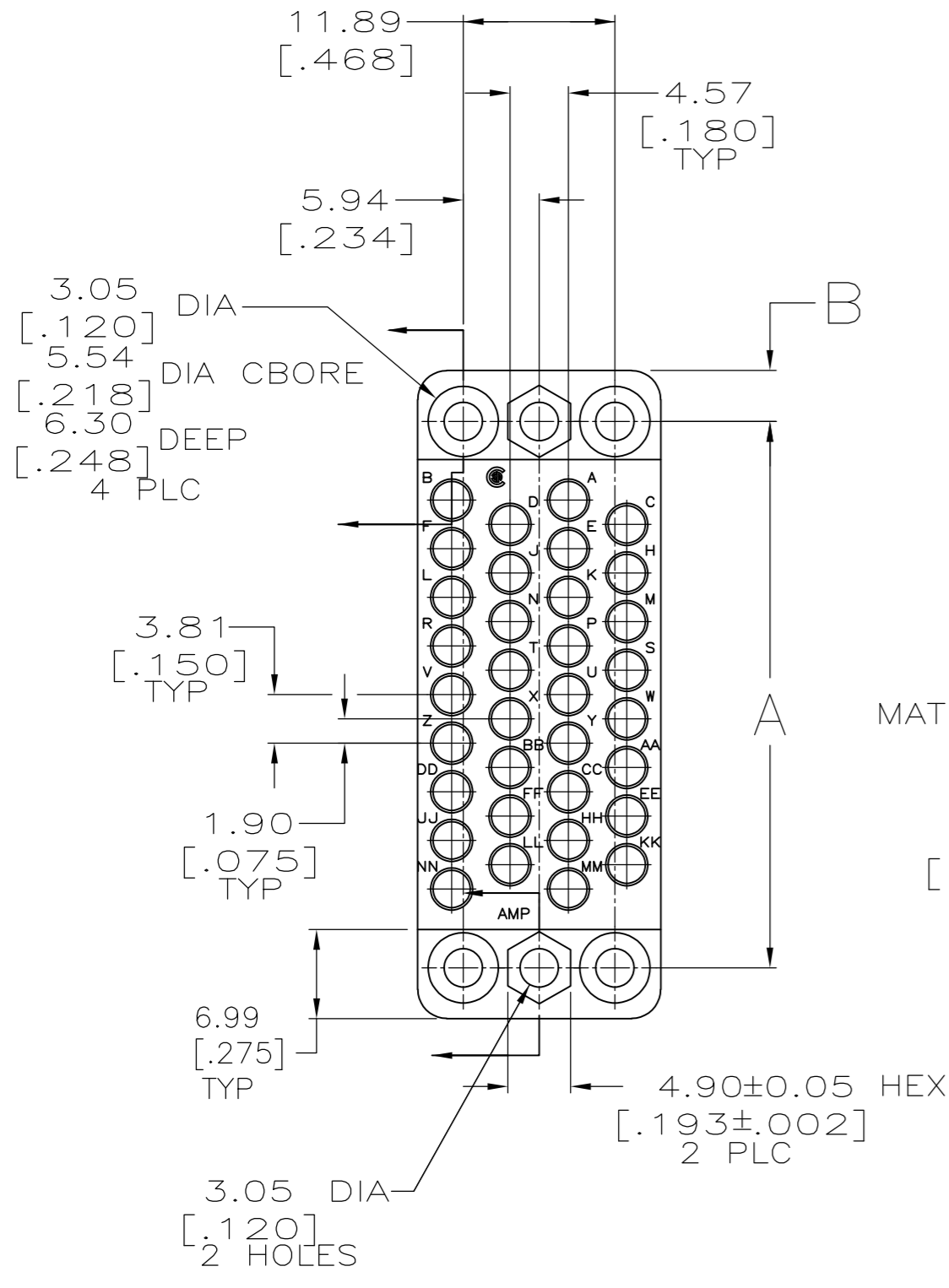


THIS DRAWING IS UNPUBLISHED. RELEASED FOR PUBLICATION
 © COPYRIGHT - By - ALL RIGHTS RESERVED.

| LOC | | DIST | | REVISIONS | | | |
|-----|-----|-------------|---------------------------|-----------|------|----|--|
| P | LTR | DESCRIPTION | DATE | DWN | APVD | | |
| FT | 0 | T3 | REVISED PER ECO-13-008672 | 30AUG2013 | KH | DR | |



RECOMMENDED PANEL CUTOUT

- 1 PHENOLIC, BLACK.
- 2 DIALLYL PHTHALATE, BLUE.
- 3 MATES WITH BLOCK 200838 & ACCOMMODATES TYPE II OR TYPE III #16 PIN OR SOCKET CONTACTS. EXCEPT FOR 201357-1, WHICH ACCEPTS ONLY PIN CONTACTS.
- 4 FOR 201357-9, KS 21303 L9 MARKED IN ADDITION TO THE AMP PART NO.

| | | | | |
|--------------|-------------|---------------|----------|-------------|
| 14.07 [.554] | 3.99 [.157] | 42.82 [1.686] | 1 | 1-201357-1 |
| 14.07 [.554] | 3.99 [.157] | 42.82 [1.686] | 1 | 1-201357-0 |
| 14.07 [.554] | 3.86 [.152] | 43.08 [1.696] | 2 | 201357-9 |
| 14.07 [.554] | 3.86 [.152] | 43.08 [1.696] | 2 | 201357-3 |
| 11.79 [.464] | 3.99 [.157] | 42.82 [1.686] | 1 | 201357-1 |
| L | B | A | MATERIAL | PART NUMBER |

OBSOLETE

THIS DRAWING IS A CONTROLLED DOCUMENT.

| | | |
|------------------|---------|----------|
| DWN | L.SIPE | 01/31/92 |
| CHK | R.STONE | 2-4-92 |
| APVD | - | - |
| PRODUCT SPEC | - | - |
| APPLICATION SPEC | - | - |
| WEIGHT | - | - |
| CUSTOMER DRAWING | SCALE | 2:1 |

TE Connectivity
 34 POSITION MINIATURE RECTANGULAR MALE BLOCK, M SERIES

| | | | | | | | |
|-------|----|-----------|-------|------------|----------|---------------|---|
| SIZE | A2 | CAGE CODE | 00779 | DRAWING NO | C=201357 | RESTRICTED TO | - |
| SHEET | 1 | OF 1 | REV | T3 | | | |

Mouser Electronics

Authorized Distributor

Click to View Pricing, Inventory, Delivery & Lifecycle Information:

[TE Connectivity:](#)

[1-201357-1](#)