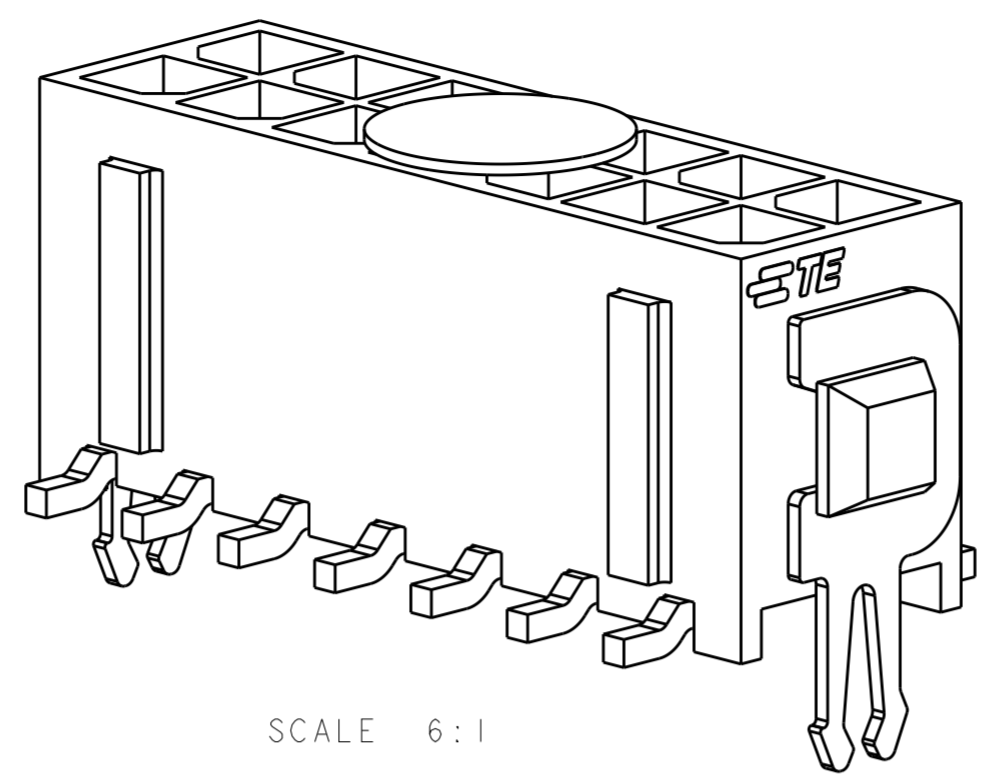
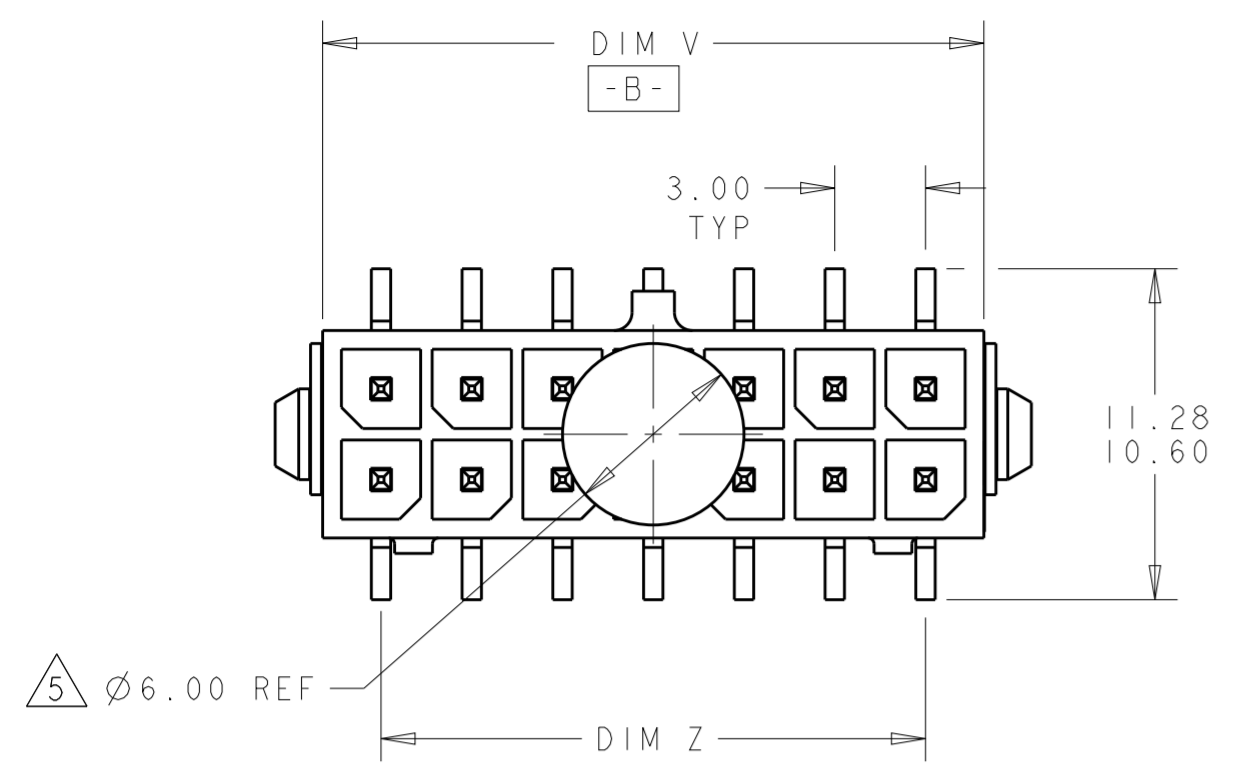
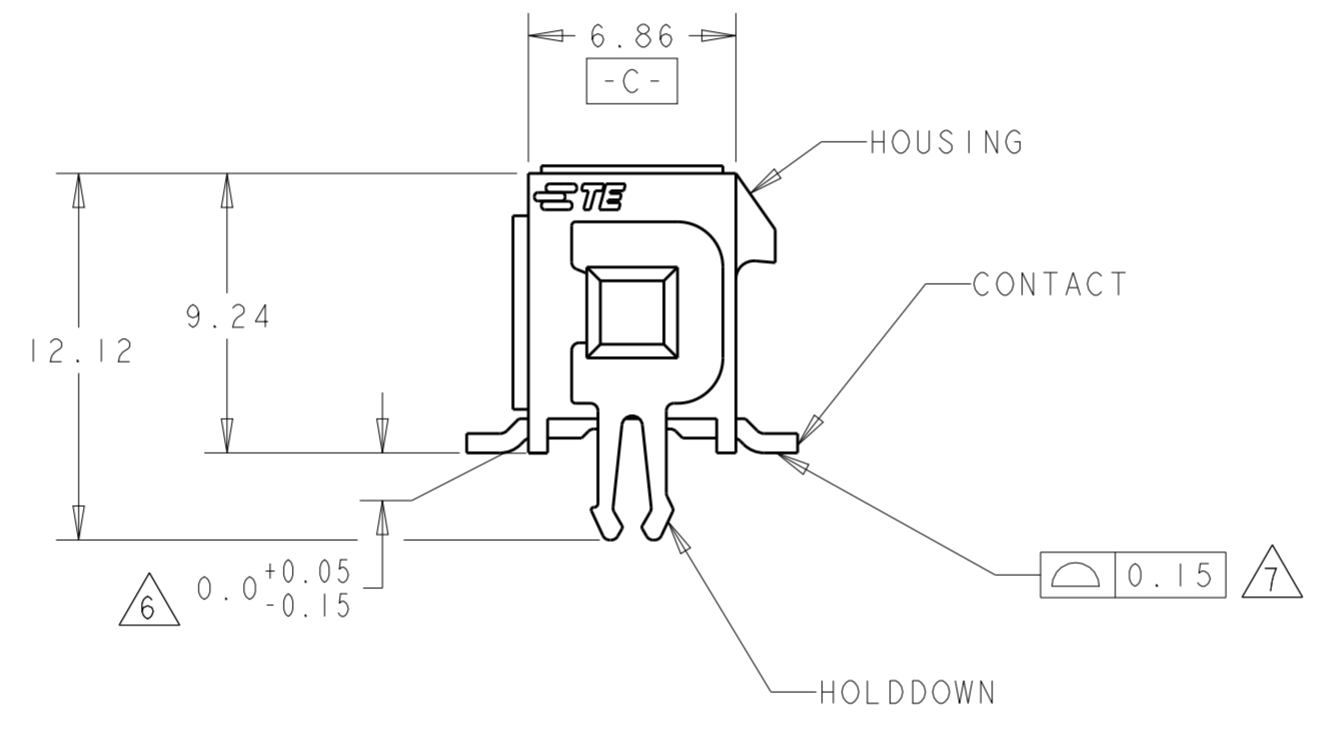
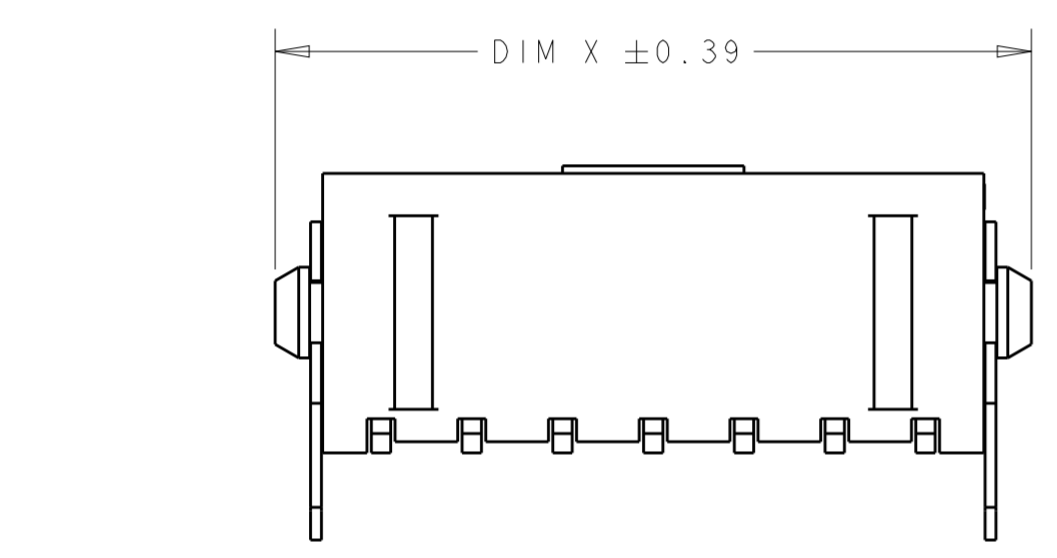


THIS DRAWING IS UNPUBLISHED. RELEASED FOR PUBLICATION 20
 © COPYRIGHT 20 ALL RIGHTS RESERVED.

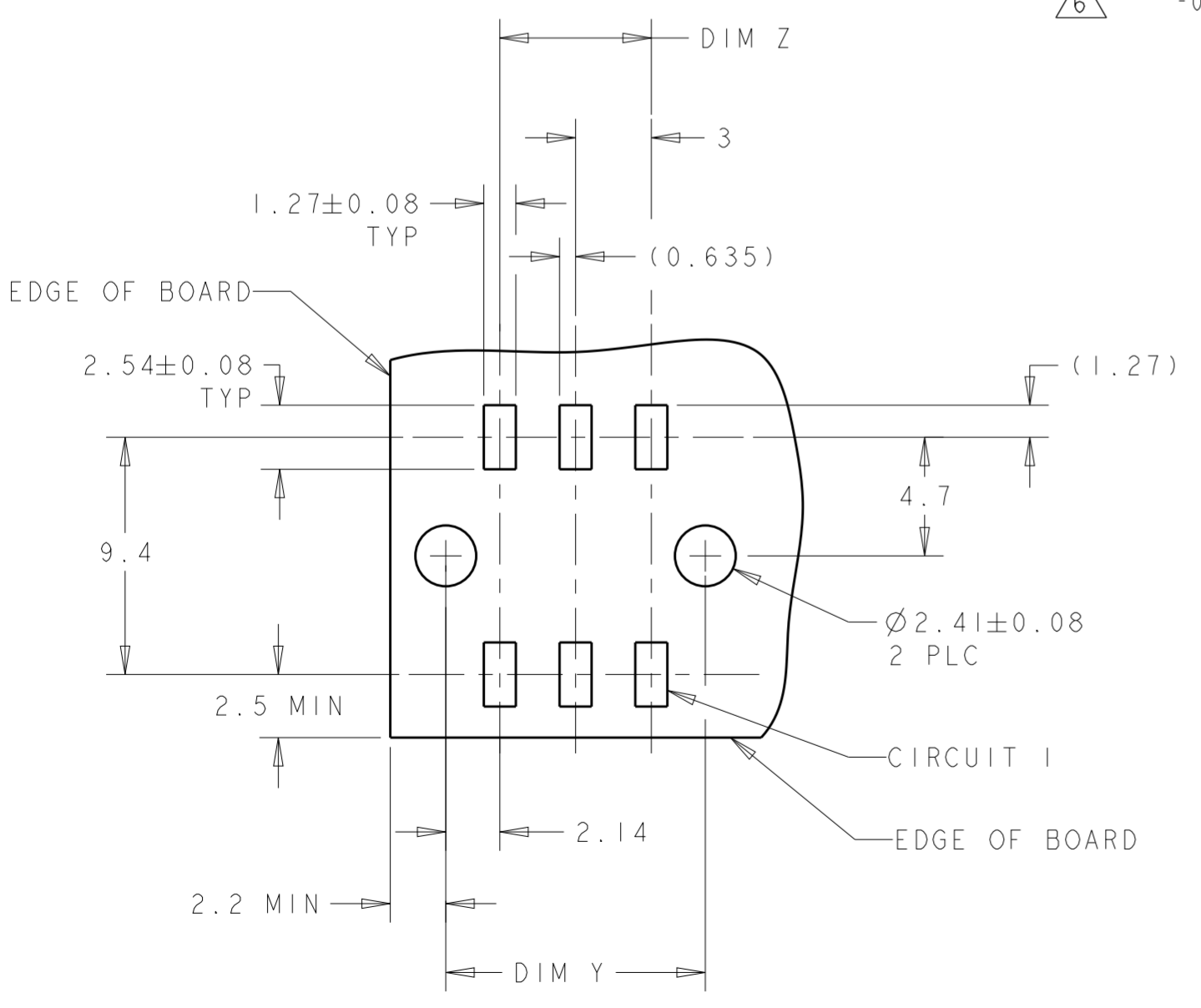
REVISIONS					
P	LTR	DESCRIPTION	DATE	DWN	APVD
J2		REVISED PER ECR-17-017609	04DEC2017	JB	DZ



- 1 MATERIAL:
CONTACTS - BRASS.
HOUSING - UL 94V-0 RATED HIGH TEMP NYLON, COLOR; BLACK.
HOLD DOWNS - PHOSPHOR BRONZE.
- 2 FINISH:
CONTACTS - 2.54µm MINIMUM TIN-LEAD OVER 0.127µm MINIMUM NICKEL.
HOLD DOWNS - 2.54µm TIN-LEAD.
- 4 RECOMMENDED PCB BOARD THICKNESS OF 1.57.
- 5 KAPTON VACUUM PICK UP BUTTON.
- 6 DIMENSION APPLIES TO SOLDER TAIL SURFACES AND STANDOFF SURFACES.
- 7 ALL SOLDER TAILS.
- 8 FINISH:
CONTACTS - 2.54µm MINIMUM MATTE TIN OVER 1.27µm MINIMUM NICKEL.
HOLD DOWNS - 2.54µm MATTE TIN.



36.86	37.3	33.00	40.00	24	5-794633-4
33.86	34.3	30.00	37.00	22	5-794633-2
30.86	31.3	27.00	34.00	20	5-794633-0
27.86	28.3	24.00	31.00	18	4-794633-8
24.86	25.3	21.00	28.00	16	4-794633-6
21.86	22.3	18.00	25.00	14	4-794633-4
18.86	19.3	15.00	22.00	12	4-794633-2
15.86	16.3	12.00	19.00	10	4-794633-0
12.86	13.3	9.00	16.00	8	3-794633-8
9.86	10.3	6.00	13.00	6	3-794633-6
6.86	7.3	3.00	10.00	4	3-794633-4
3.86	4.3	-	7.00	2	3-794633-2
36.86	37.3	33.00	40.00	24	2-794633-4
33.86	34.3	30.00	37.00	22	2-794633-2
30.86	31.3	27.00	34.00	20	2-794633-0
27.86	28.3	24.00	31.00	18	1-794633-8
24.86	25.3	21.00	28.00	16	1-794633-6
21.86	22.3	18.00	25.00	14	1-794633-4
18.86	19.3	15.00	22.00	12	1-794633-2
15.86	16.3	12.00	19.00	10	1-794633-0
12.86	13.3	9.00	16.00	8	794633-8
9.86	10.3	6.00	13.00	6	794633-6
6.86	7.3	3.00	10.00	4	794633-4
3.86	4.3	-	7.00	2	794633-2



SUPERSEDED BY 5-794633-4
 SUPERSEDED BY 5-794633-2
 SUPERSEDED BY 5-794633-0
 SUPERSEDED BY 4-794633-8
 SUPERSEDED BY 4-794633-6
 SUPERSEDED BY 4-794633-4
 SUPERSEDED BY 4-794633-2
 SUPERSEDED BY 4-794633-0
 SUPERSEDED BY 3-794633-8
 SUPERSEDED BY 3-794633-6
 SUPERSEDED BY 3-794633-4
 SUPERSEDED BY 3-794633-2

THIS DRAWING IS A CONTROLLED DOCUMENT.

DWN S. HOOVER 23-MAR-2005
 CHK C. JONES 23-MAR-2005
 APVD C. JONES 23-MAR-2005

STC TE Connectivity

NAME SURFACE MOUNT, VERTICAL, MECHANICAL HOLD DOWN, ASSEMBLY, TIN HEADER, DUAL ROW, MICRO MATE-N-LOK (TM)

SIZE A2 CAGE CODE C-794633 DRAWING NO. 794633

RESTRICTED TO

MATERIAL SEE TABLE

FINISH SEE TABLE

PRODUCT SPEC -

APPLICATION SPEC -

WEIGHT -

CUSTOMER DRAWING

SCALE 4:1 SHEET 1 OF 1 REV J2

Mouser Electronics

Authorized Distributor

Click to View Pricing, Inventory, Delivery & Lifecycle Information:

[TE Connectivity:](#)

[1-794633-6](#)