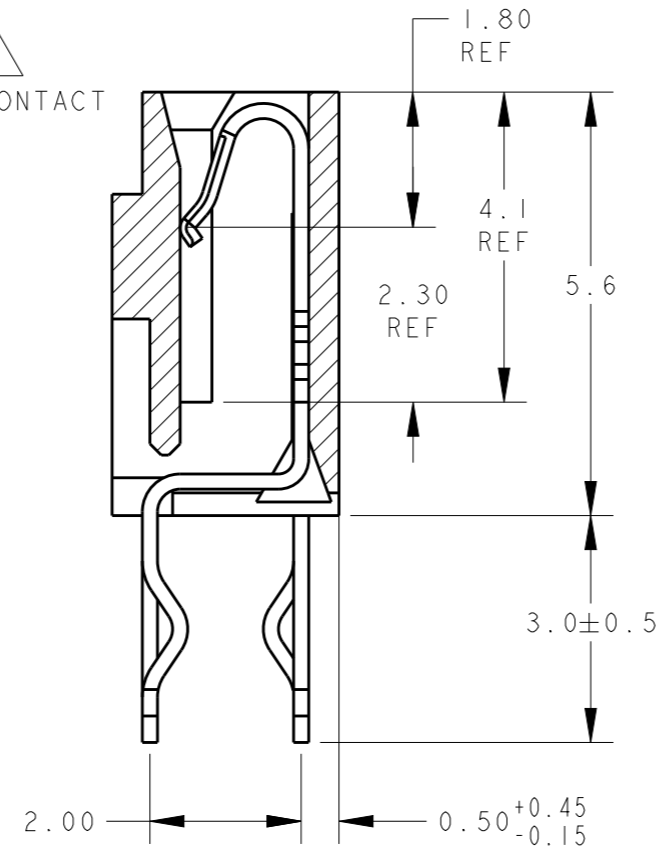
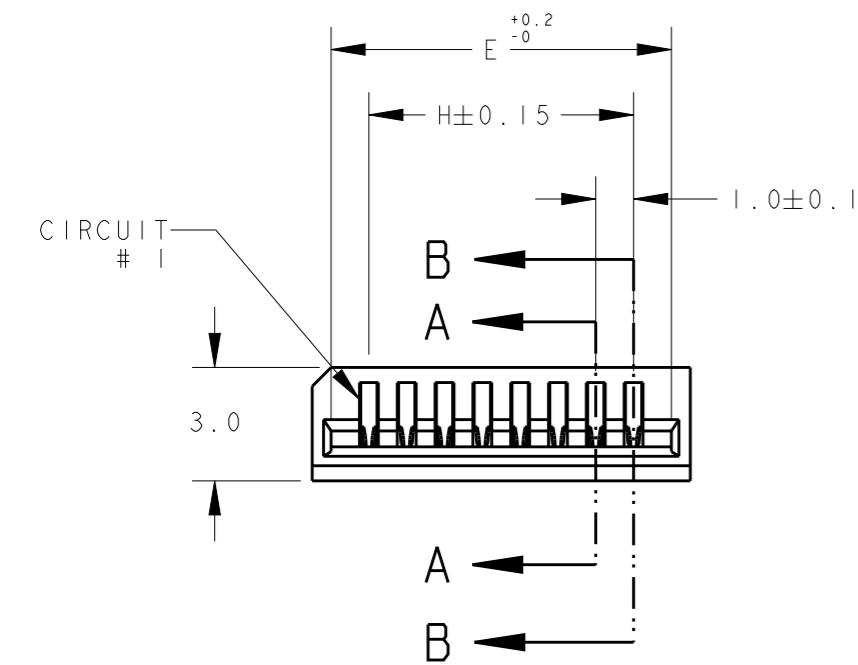
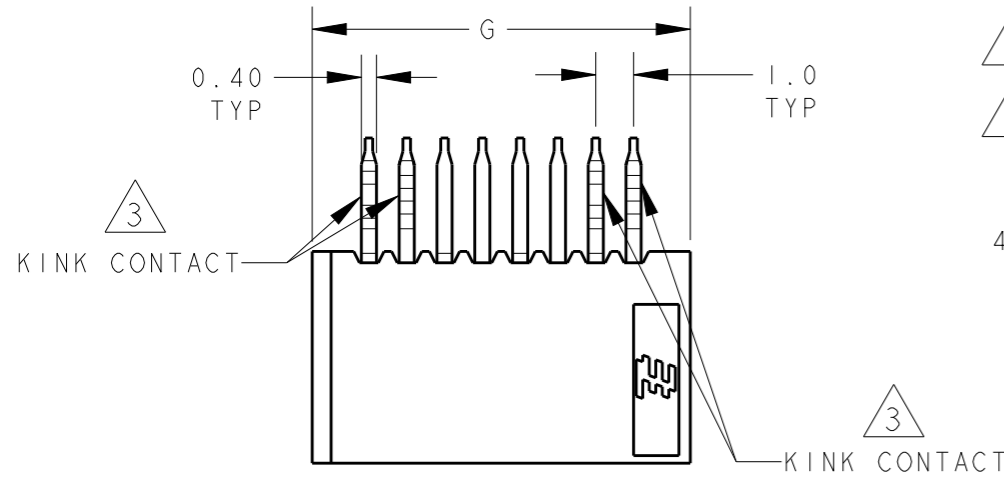


THIS DRAWING IS UNPUBLISHED. RELEASED FOR PUBLICATION 20
 © COPYRIGHT 20 BY - ALL RIGHTS RESERVED.

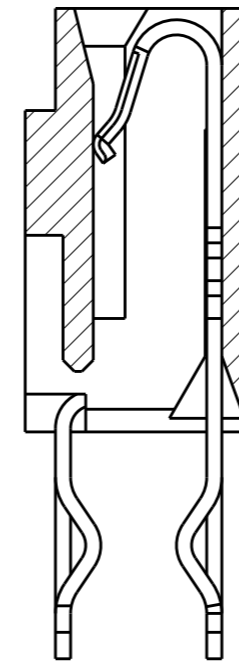
| LOC | DIST | REVISIONS | | | |
|-----|------|------------------------------|---------|-----|------|
| P | LTR | DESCRIPTION | DATE | DWN | APVD |
| DY | - | E3 REVISED PER ECR-13-003471 | 25FEB13 | RW | SY |

NOTES:

- 1 MATERIAL:
HOUSING: GLASS FILLED PBT, NATURAL COLOR (WHITE)
CONTACT: PHOSPHOR BRONZE
- 2 FINISH: MATTE TIN OVER NICKEL UNDERPLATE
- 3 KINK CONTACTS LOCATION:
8P & BELOW: ALL POSITIONS
9P & ABOVE: 4 CONTACTS (2 PAIRS) EACH END
- 4. PACKAGING: TUBE



SECTION A - A
(FOR ODD POSITION CONTACTS)
SCALE 10:1



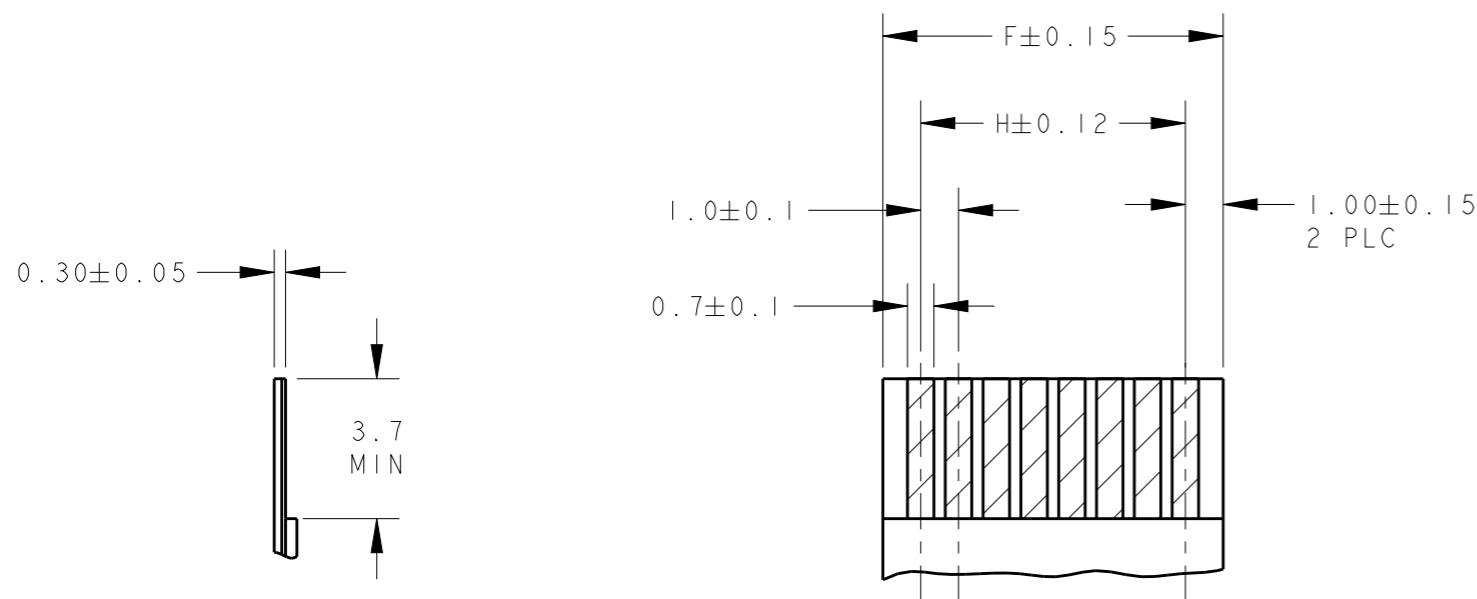
SECTION B - B
(FOR EVEN POSITION CONTACTS)
SCALE 10:1

| | | | | | |
|-------|-------|-------|-------|------|-----------|
| 29.00 | 32.00 | 31.00 | 31.00 | 30 | 3-84984-0 |
| 28.00 | 31.00 | 30.00 | 30.00 | 29 | 2- -9 |
| 27.00 | 30.00 | 29.00 | 29.00 | 28 | 2- -8 |
| 26.00 | 29.00 | 28.00 | 28.00 | 27 | 2- -7 |
| 25.00 | 28.00 | 27.00 | 27.00 | 26 | 2- -6 |
| 24.00 | 27.00 | 26.00 | 26.00 | 25 | 2- -5 |
| 23.00 | 26.00 | 25.00 | 25.00 | 24 | 2- -4 |
| 22.00 | 25.00 | 24.00 | 24.00 | 23 | 2- -3 |
| 21.00 | 24.00 | 23.00 | 23.00 | 22 | 2- -2 |
| 20.00 | 23.00 | 22.00 | 22.00 | 21 | 2- -1 |
| 19.00 | 22.00 | 21.00 | 21.00 | 20 | 2-84984-0 |
| 18.00 | 21.00 | 20.00 | 20.00 | 19 | 1- -9 |
| 17.00 | 20.00 | 19.00 | 19.00 | 18 | 1- -8 |
| 16.00 | 19.00 | 18.00 | 18.00 | 17 | 1- -7 |
| 15.00 | 18.00 | 17.00 | 17.00 | 16 | 1- -6 |
| 14.00 | 17.00 | 16.00 | 16.00 | 15 | 1- -5 |
| 13.00 | 16.00 | 15.00 | 15.00 | 14 | 1- -4 |
| 12.00 | 15.00 | 14.00 | 14.00 | 13 | 1- -3 |
| 11.00 | 14.00 | 13.00 | 13.00 | 12 | 1- -2 |
| 10.00 | 13.00 | 12.00 | 12.00 | 11 | 1- -1 |
| 9.00 | 12.00 | 11.00 | 11.00 | 10 | 1-84984-0 |
| 8.00 | 11.00 | 10.00 | 10.00 | 9 | -9 |
| 7.00 | 10.00 | 9.00 | 9.00 | 8 | -8 |
| 6.00 | 9.00 | 8.00 | 8.00 | 7 | -7 |
| 5.00 | 8.00 | 7.00 | 7.00 | 6 | -6 |
| 4.00 | 7.00 | 6.00 | 6.00 | 5 | -5 |
| 3.00 | 6.00 | 5.00 | 5.00 | 4 | 84984-4 |
| H | G | F | E | POS. | PART NO. |

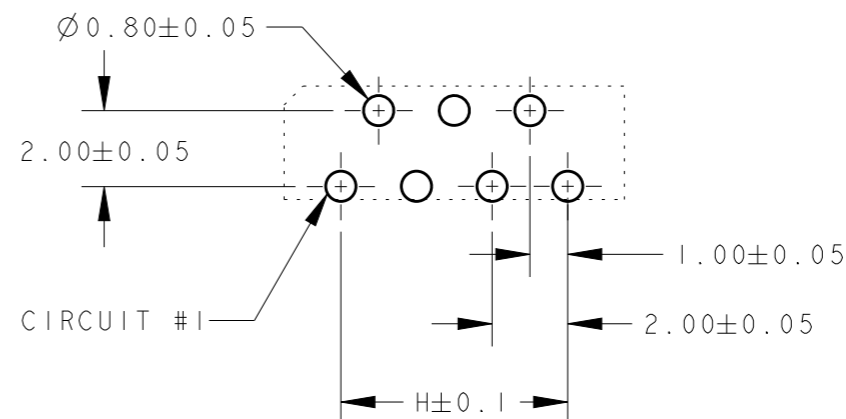
| | | | |
|---|--|-------------------------|---|
| THIS DRAWING IS A CONTROLLED DOCUMENT. | | DWN WYLEE 15JUN04 | STE TE Connectivity |
| DIMENSIONS: mm | | CHK LP TAN 22NOV2011 | |
| TOLERANCES UNLESS OTHERWISE SPECIFIED: | | APVD SF LEONG 22NOV2011 | |
| 0 PLC ±0.30 1 PLC ±0.30 2 PLC ±0.30 3 PLC ± 4 PLC ± ANGLES ±3° | | PRODUCT SPEC 108-51058 | |
| MATERIAL 1 | | FINISH 2 | NAME ASSY, 1.00mm FFC CONN DIP, V |
| | | Customer Drawing | SIZE A300779 CAGE CODE G-84984 DRAWING NO RESTRICTED TO |
| | | SCALE 5:1 | SHEET 1 OF 2 REV E3 |

THIS DRAWING IS UNPUBLISHED. RELEASED FOR PUBLICATION 20
 © COPYRIGHT 20 BY - ALL RIGHTS RESERVED.

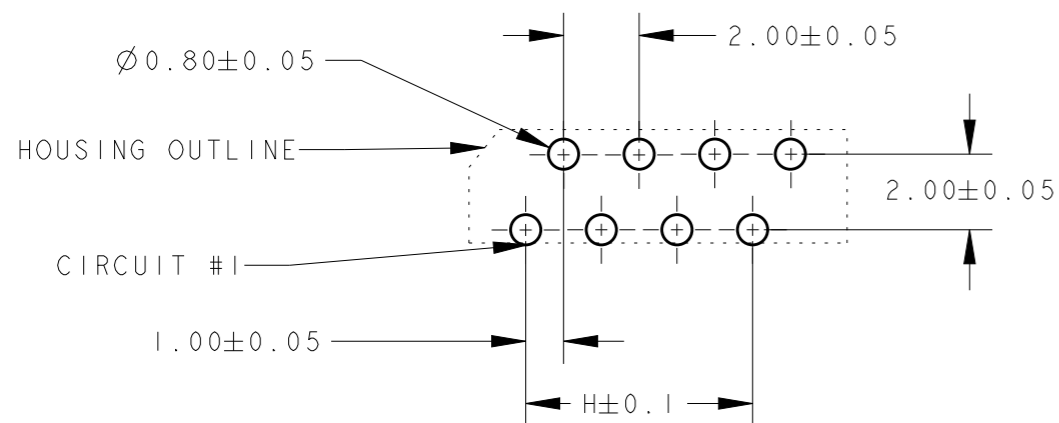
| LOC | DIST | REVISIONS | | | |
|-----|------|-------------|------|-----|------|
| P | LTR | DESCRIPTION | DATE | DWN | APVD |
| DY | - | SEE SHEET 1 | | | |



RECOMMENDED FFC/FPC



RECOMMENDED PCB LAYOUT (THK= 1.6±0.1)
 (FOR ODD POSITION CONNECTORS)
 NON-ACCUMULATIVE TOLERANCE



RECOMMENDED PCB LAYOUT (THK= 1.6±0.1)
 (FOR EVEN POSITION CONNECTORS)
 NON-ACCUMULATIVE TOLERANCE

| | | | | |
|---|-------------|---------------------------|-----------------------|---|
| THIS DRAWING IS A CONTROLLED DOCUMENT. | | DWN WYLEE | 15JUN04 | STE TE Connectivity |
| DIMENSIONS: mm | | CHK LP TAN | 22NOV2011 | |
| TOLERANCES UNLESS OTHERWISE SPECIFIED: | | APVD SEIFONG | 22NOV2011 | NAME ASSY, 1.00mm FFC CONN DIP, V |
| 0 PLC ±0.30 1 PLC ±0.30 2 PLC ±0.30 3 PLC ± 4 PLC ± ANGLES ±3° | | PRODUCT SPEC 108-51058 | APPLICATION SPEC - | SIZE A300779 |
| MATERIAL 1 | FINISH 2 | WEIGHT - | Customer Drawing | CAGE CODE G-84984 |
| SCALE 5:1 | | | SHEET 2 OF 2 | RESTRICTED TO - |
| | | | REV E3 | |

Mouser Electronics

Authorized Distributor

Click to View Pricing, Inventory, Delivery & Lifecycle Information:

[TE Connectivity:](#)

[1-84984-3](#)