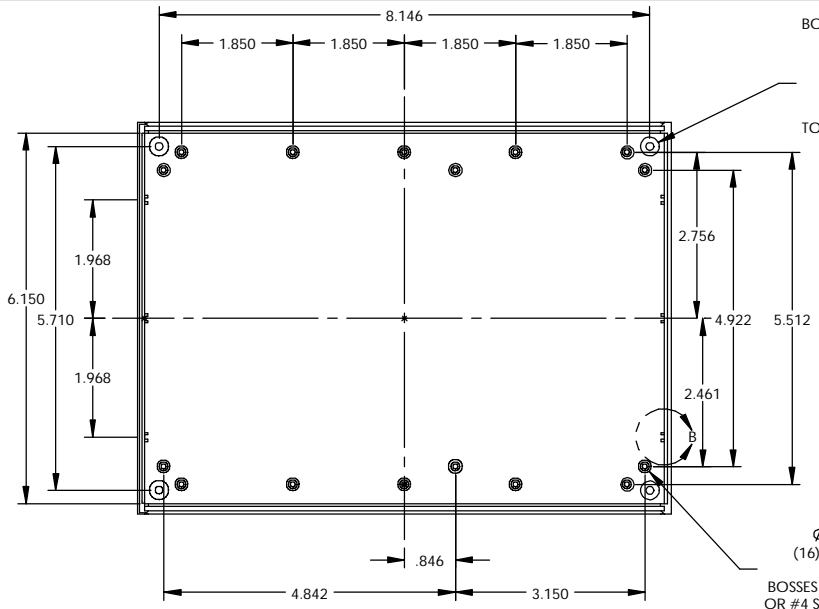


PART NAME

PLASTIC INSTRUMENT CASE

PART No.

IP-6130 & IP-6131

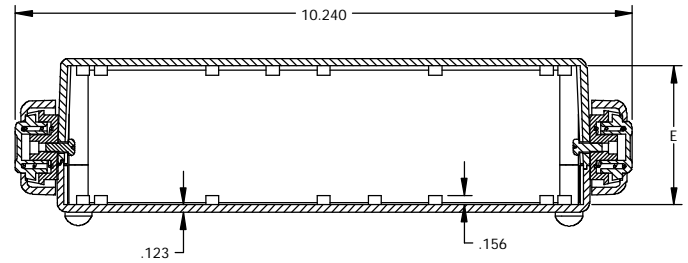
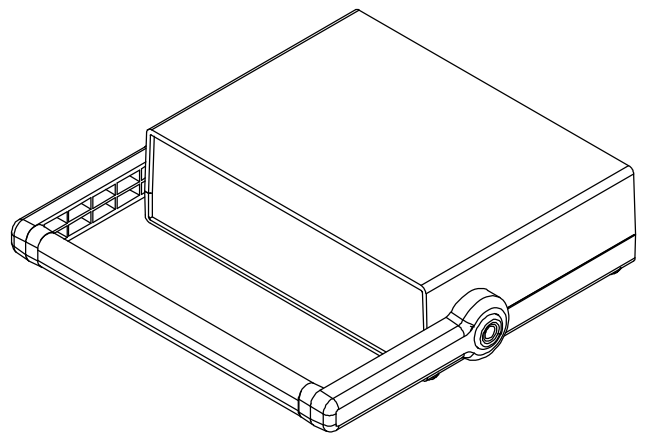


**BOTTOM COVER:**  
 $\varnothing$  .248  $\nabla$  .050  
 92° C-SINK  $\nabla$  .665 (FROM INNER BOSS SURFACE)  
 $\varnothing$  .132 THRU  
 (FAR SIDE 4 PLCS.)

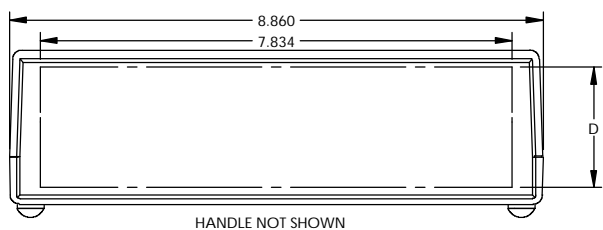
**TOP COVER:**  
 M3 BRASS INSERT (4 PLCS.)

$\varnothing$  .218 BOSS  
 $\varnothing$  .090 HOLE  $\nabla$  .218  
 (16) PLCS. BOTH COVERS

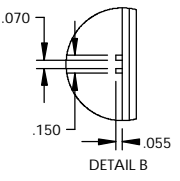
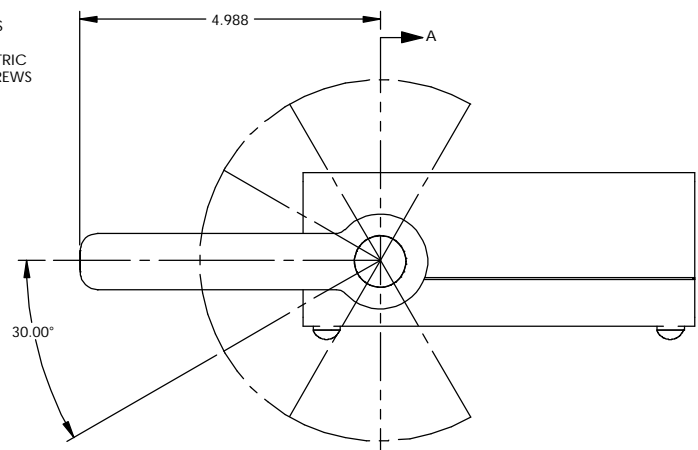
BOSSSES USE EITHER M2.5 METRIC  
 OR #4 STD. SHEET METAL SCREWS  
 (NOT SUPPLIED)



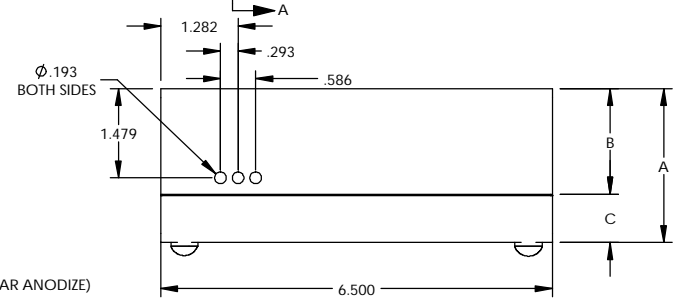
SECTION A-A



HANDLE NOT SHOWN



DETAIL B



**NOTES:**  
**MATERIALS & FINISHES:**  
 COVERS - ABS (LIGHT GREY)  
 UL94-HB FLAMMABILITY RATING  
 PANELS - ABS (BLACK)  
 UL94-HB FLAMMABILITY RATING  
 HANDLE SUPPORTS - ABS (GREY)  
 UL94-HB FLAMMABILITY RATING  
 HANDLE - ALUMINUM EXTRUSION (CLEAR ANODIZE)

**HARDWARE INCLUDED:**  
 HANDLE KIT AND (2) M4 x 10mm PAN HEAD MOUNTING SCREWS INCLUDED  
 (4) M3 x 25mm FLAT HEAD SCREWS  
 (4) RUBBER FEET

ALL DIMENSIONS HAVE  $\pm$ .015 TOLERANCE UNLESS OTHERWISE SPECIFIED

PART No.	TOTAL HEIGHT	COVER HEIGHT	BASE HEIGHT	USABLE PANEL SPACE	INTERNAL CLEARANCE
	A	B	C	D	E
IP-6130	2.570	1.770	.800	2.012	2.324
IP-6131	3.540	1.770	1.770	2.982	3.294

# Mouser Electronics

Authorized Distributor

Click to View Pricing, Inventory, Delivery & Lifecycle Information:

[Bud Industries:](#)

[IP-6131](#) [IP6130](#) [IP-6130](#)