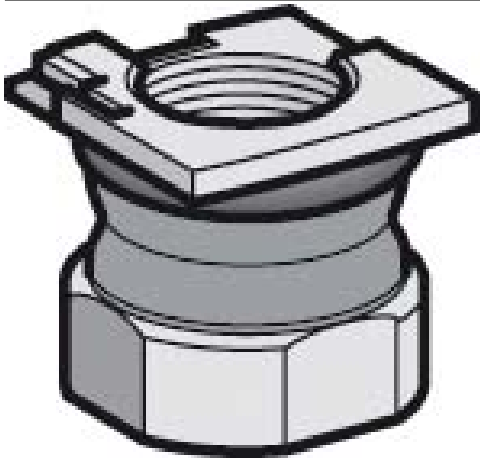


ZCDEG13

cable gland entry - Pg 13.5 - for limit switch -
metal body



Main

Accessory / separate part designation	Cable gland entry Pg 13.5
Accessory / separate part destination	XCKD body
Accessory / separate part category	Connection accessories
Accessory material	Metal

Environment

RoHS EUR conformity date	0928
RoHS EUR status	Compliant

Mouser Electronics

Authorized Distributor

Click to View Pricing, Inventory, Delivery & Lifecycle Information:

[Schneider Electric:](#)

[ZCDEG13](#)