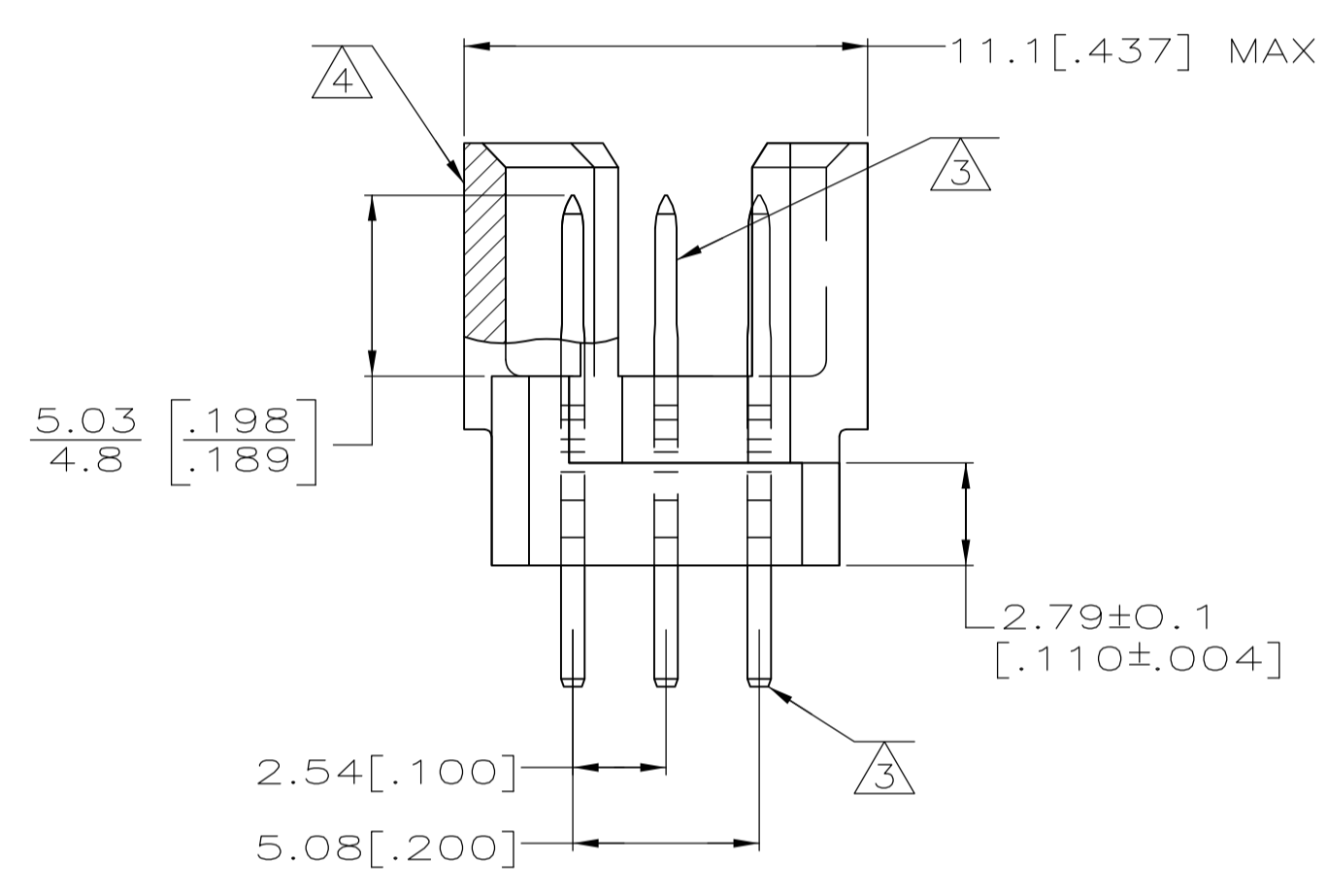


- 1 HOUSING MATERIAL: GLASS-FILLED POLYMER.
- 2 POST MATERIAL: COPPER ALLOY.
- 3 POST FINISH: DIN 41612 CLASS 2 IN CONTACT AREA. TIN PLATE ON POSTS.
- 4 MARKING ON THIS SIDE.
- 5 RECOMMENDED HOLE SIZE FOR MANUAL APPLICATION OF CONNECTOR ONTO PC BOARD.
- 6 PART NUMBER, DATE CODE MARKED THIS APPROXIMATE AREA.



1-32	X	X	X	96	5650908-5
POSITIONS LOADED	C	B	A	NO. OF LOADED POSITION	ASSY PART NUMBER
	ROWS LOADED				

THIS DRAWING IS A CONTROLLED DOCUMENT.		DIN J. POLIGNONE DSMAYOS		APVD A. SHARPE DSMAYOS		NAME		TE Connectivity	
DIMENSIONS: mm [INCHES]		TOLERANCES UNLESS OTHERWISE SPECIFIED:		PRODUCT SPEC		APPLICATION SPEC		ASSEMBLY, PIN, EUROCARD, TYPE R, 96 POSITION, 3.30[.130] SOLDER POST	
Ø		0 PLC ± -		1 PLC ± -		2 PLC ± 0.13[.005]		SIZE	
Ø		3 PLC ± -		4 PLC ± -		ANGLES ± -		CAGE CODE	
MATERIAL		FINISH		WEIGHT		DRAWING NO		RESTRICTED TO	
A1		A1		A1		C=5650908		SCALE	
CUSTOMER DRAWING		SCALE 5:1		SHEET 1 OF 1		REV P			

Mouser Electronics

Authorized Distributor

Click to View Pricing, Inventory, Delivery & Lifecycle Information:

[TE Connectivity:](#)

[5650908-5](#)