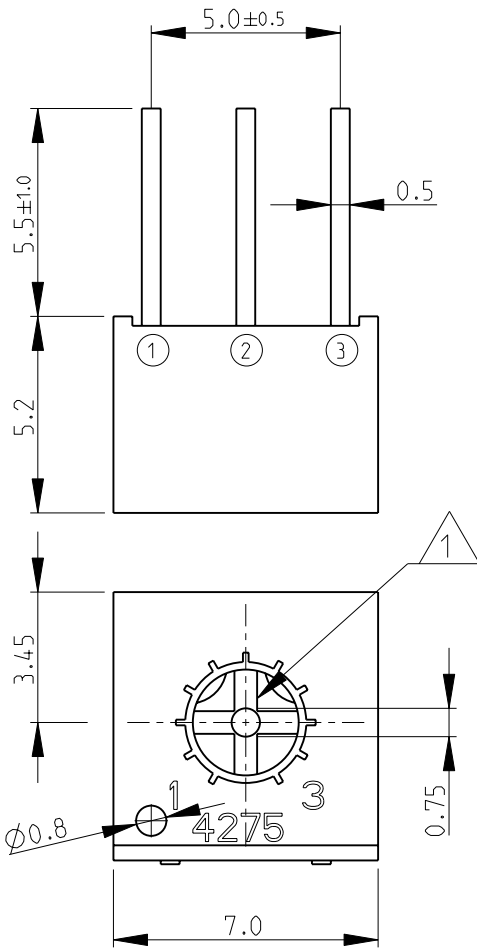
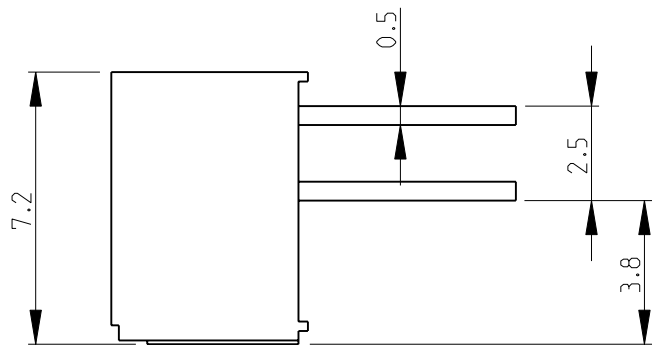


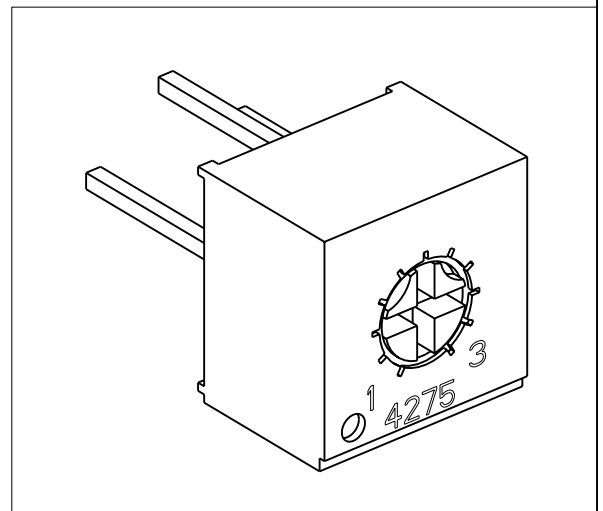
LOC	DIST	REVISIONS			
P	LTR	DESCRIPTION	DATE	DWN	APVD
E	B				
	BA	NEW RELEASE	17-NOV-08	SM	St.P



- 1 TOP ADJUSTMENT SLOT:
LENGTH- 2.8mm, WIDTH- 0.6mm, DEPTH- 0.9mm
- 2 FOR FURTHER INFORMATION SEE DATA SHEET FOR
4275 SERIES-PROFESSIONAL TRIMMERS



RoHS Compliant



2008
RELEASED FOR PUBLICATION
THIS DRAWING IS UNPUBLISHED.
COPYRIGHT 2008 BY TYCO ELECTRONICS CORPORATION. ALL RIGHTS RESERVED.

DIMENSIONS: mm	DWN	17-NOV-08	MATERIAL	-	FINISH	-
	SUBHASH.M					
TOLERANCES UNLESS OTHERWISE SPECIFIED:	CHK	17-NOV-08	Tyco Electronics Corporation Dorcan, Swindon, SN3 5HH			
	PRAKASH.S					
0 PLC ±0.2	APVD	17-NOV-08	NAME PROFESSIONAL TRIMMERS SERIES 4275P			
1 PLC ±0.1	STEPHEN.P					
2 PLC ±-	PRODUCT SPEC	-	SIZE	CAGE CODE	DRAWING NO	RESTRICTED TO
3 PLC ±-	APPLICATION SPEC	-	A 4	00779	©-1623900	-
4 PLC ±-			CUSTOMER DRAWING			
ANGLES ±5°	WEIGHT	0.6g	SCALE		5:1	SHEET 1 OF 1
						REV BA

Mouser Electronics

Authorized Distributor

Click to View Pricing, Inventory, Delivery & Lifecycle Information:

[TE Connectivity:](#)

[4275P502K](#)