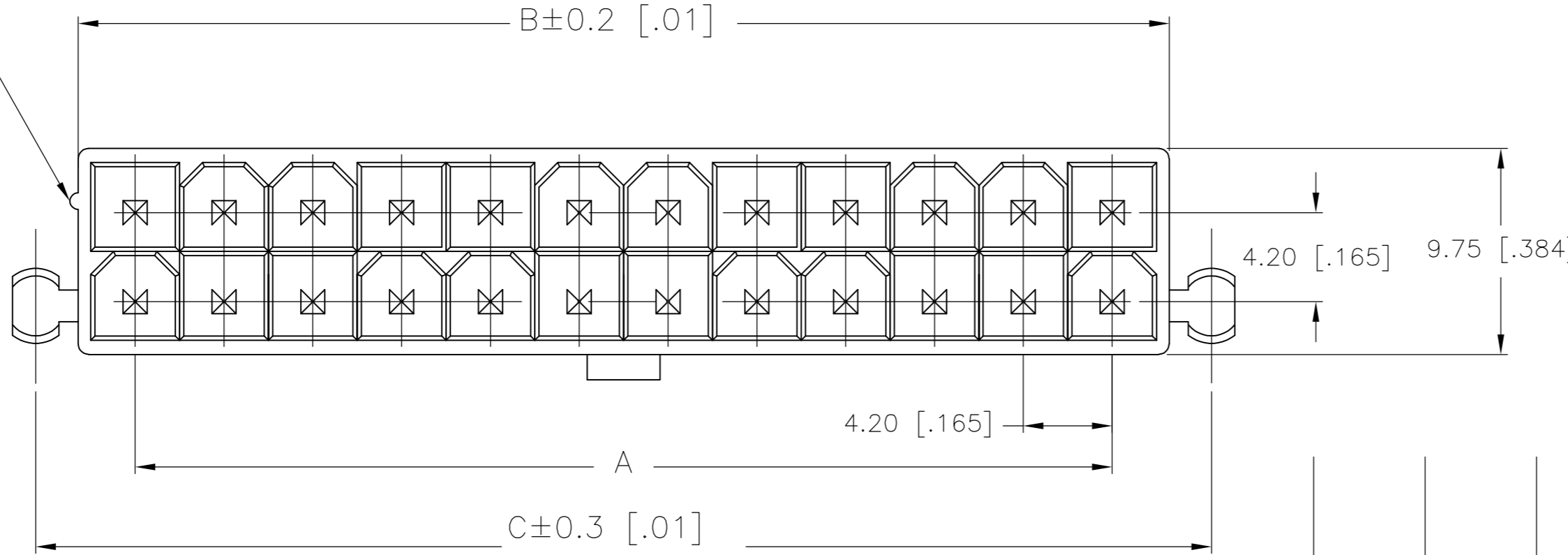


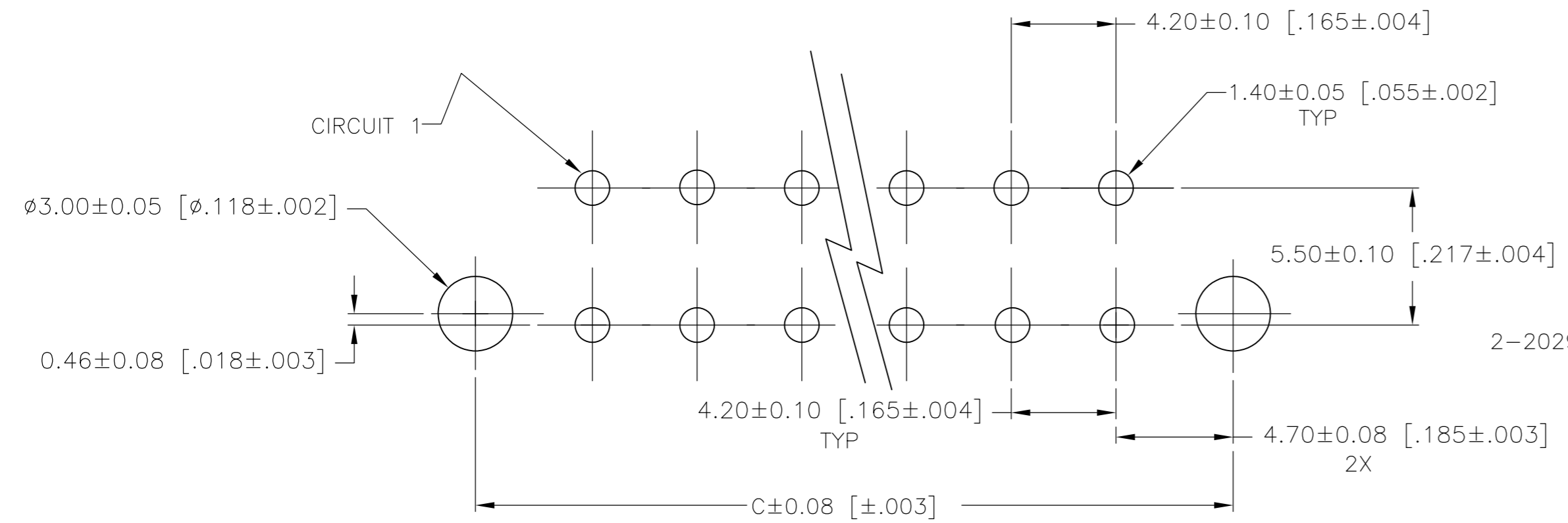
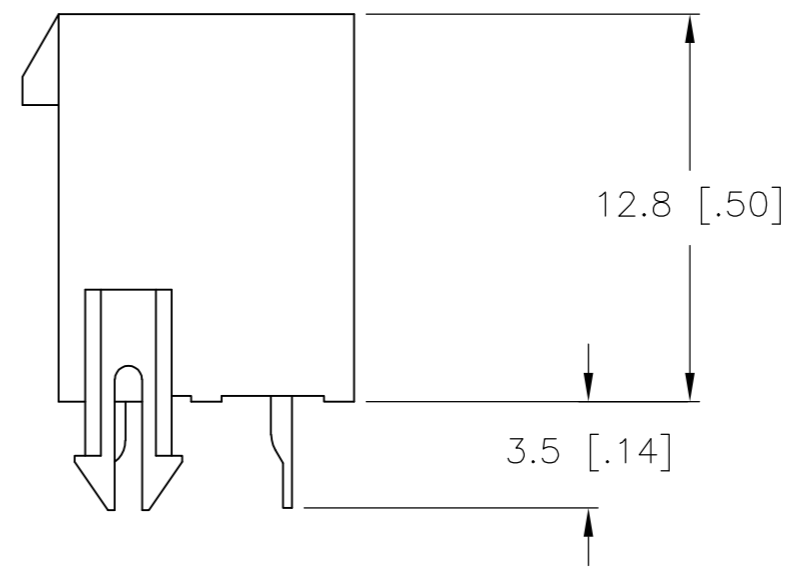
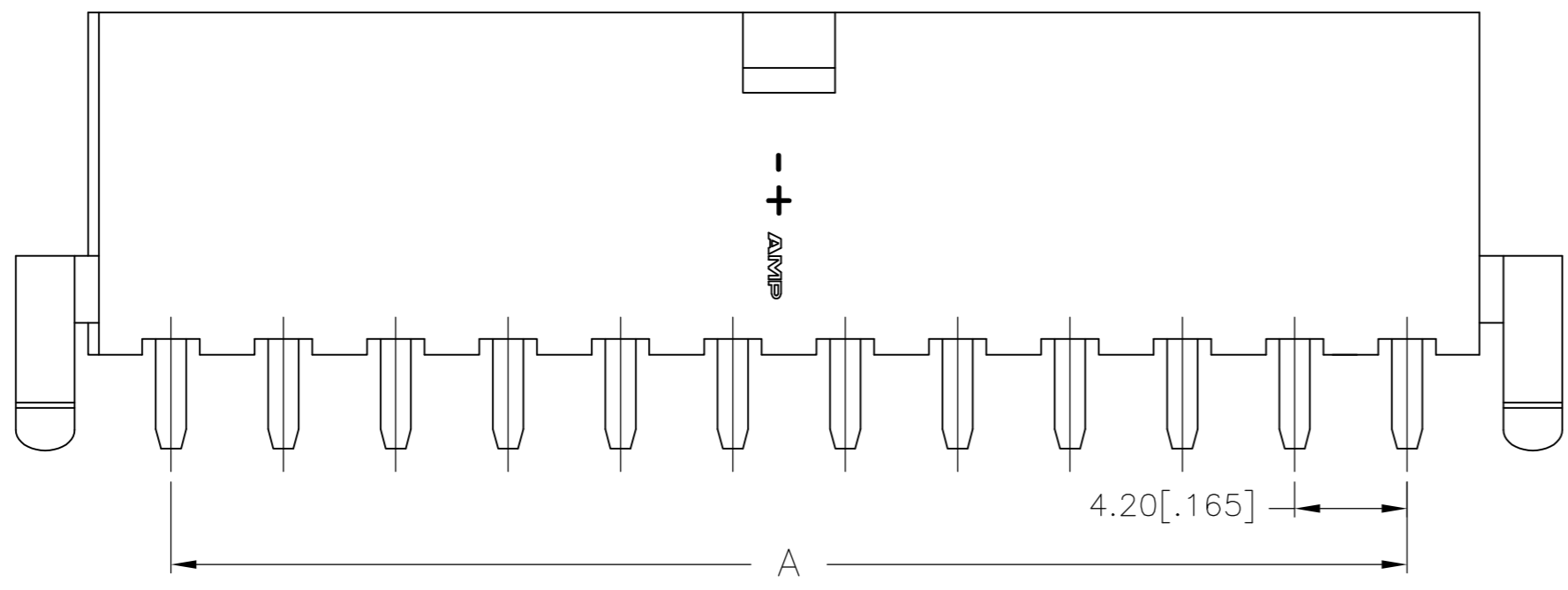
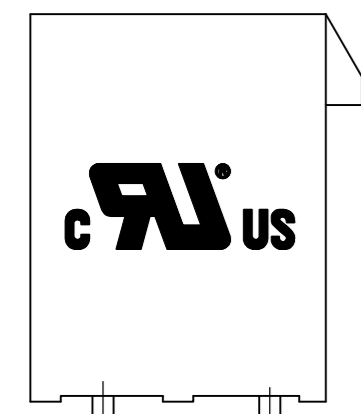
THIS DRAWING IS UNPUBLISHED. RELEASED FOR PUBLICATION
 © COPYRIGHT BY TYCO ELECTRONICS CORPORATION. ALL RIGHTS RESERVED.

LOC	DIST	REVISIONS					
CM	00	P	LTR	DESCRIPTION	DATE	DWN	APVD
		B		ECR-13-005951	07APR2013	AZ	FM
		B1		ECR-13-017995	18NOV2013	AZ	FM
		B2		ECR-14-003529	10MAR2014	AZ	DZ

POSITION 1 IDENTIFICATION FEATURE



- 1 MATERIAL: HOUSING: POLYAMIDE, UL94V-0, NATURAL CONTACTS: BRASS, TIN-PLATED
- 2 GLOW WIRE APPROVED, CONTACT TYCO ELECTRONICS ENGINEERING FOR SPECIFICATION.



PCB LAYOUT: COMPONENT SIDE
 RECOMMENDED BOARD THICKNESS 1.78 [.070]

POS	A	B±0.2 [.01]	C±0.35 [.01]	PART NUMBER
24	46.2±0.2 [1.82±.01]	51.6 ^{+0.5} ₋₀ [2.03 ^{+0.02} ₀]	55.6 [2.19]	2-2029265-4
22	42.0±0.2 [1.65±.01]	47.4 ^{+0.5} ₋₀ [1.87 ^{+0.02} ₀]	51.4 [2.02]	2-2029265-2
20	37.8±0.2 [1.49±.01]	43.2 ^{+0.5} ₋₀ [1.70 ^{+0.02} ₀]	47.2 [1.86]	2-2029265-0
18	33.6±0.2 [1.32±.01]	39.0 ^{+0.5} ₋₀ [1.54 ^{+0.02} ₀]	43.0 [1.69]	1-2029265-8
16	29.4±0.2 [1.16±.01]	34.8 ^{+0.5} ₋₀ [1.37 ^{+0.02} ₀]	38.8 [1.53]	1-2029265-6
14	25.2±0.2 [.99±.01]	30.6 ^{+0.5} ₋₀ [1.21 ^{+0.02} ₀]	34.6 [1.36]	1-2029265-4
12	21.0±0.2 [.83±.01]	26.4 [1.04]	30.4 [1.20]	1-2029265-2
10	16.8±0.1 [.66±.00]	22.2 [.87]	26.2 [1.03]	1-2029265-0
8	12.6±0.1 [.50±.00]	18.0 [.71]	22.0 [.87]	2029265-8
6	8.4±0.1 [.33±.00]	13.8 [.54]	17.8 [.70]	2029265-6
4	4.2±0.1 [.17±.00]	9.6 [.38]	13.6 [.54]	2029265-4
2		5.4 [.21]	9.4 [.37]	2029265-2

2-2029265-4 SHOWN

THIS DRAWING IS A CONTROLLED DOCUMENT.		DWN K. WHITAKER 04NOV2008	Tyco Electronics Corporation Harrisburg, PA 17105-3608	
DIMENSIONS: mm [INCHES]		CHK C. CASH 04NOV2008	NAME VERTICAL HEADER WITH PEGS, WITHOUT DRAIN HOLES VAL-U-LOK(TM)	
TOLERANCES UNLESS OTHERWISE SPECIFIED: 0 PLC ± 1 PLC ± 2 PLC ± 0.5 [.02] 3 PLC ± 0.25 [.010] 4 PLC ± 0.150 [0059] ANGLES ± FINISH		APVD C. CASH 04NOV2008	SIZE A2	
MATERIAL		PRODUCT SPEC	CAGE CODE 00779	DRAWING NO C=2029265
1		APPLICATION SPEC	RESTRICTED TO	—
		WEIGHT	SCALE 10:1	SHEET 1 of 1
		CUSTOMER DRAWING	REV B2	

Mouser Electronics

Authorized Distributor

Click to View Pricing, Inventory, Delivery & Lifecycle Information:

[TE Connectivity:](#)

[1-2029265-8](#)