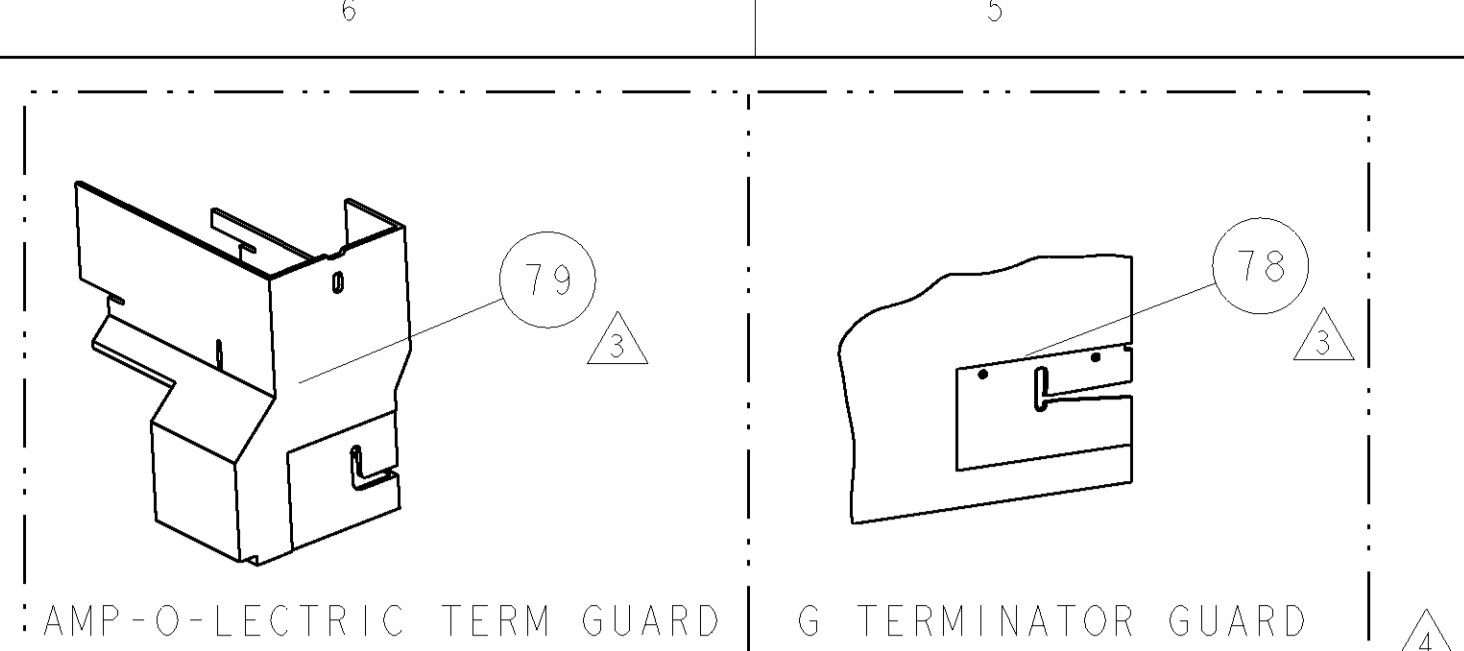
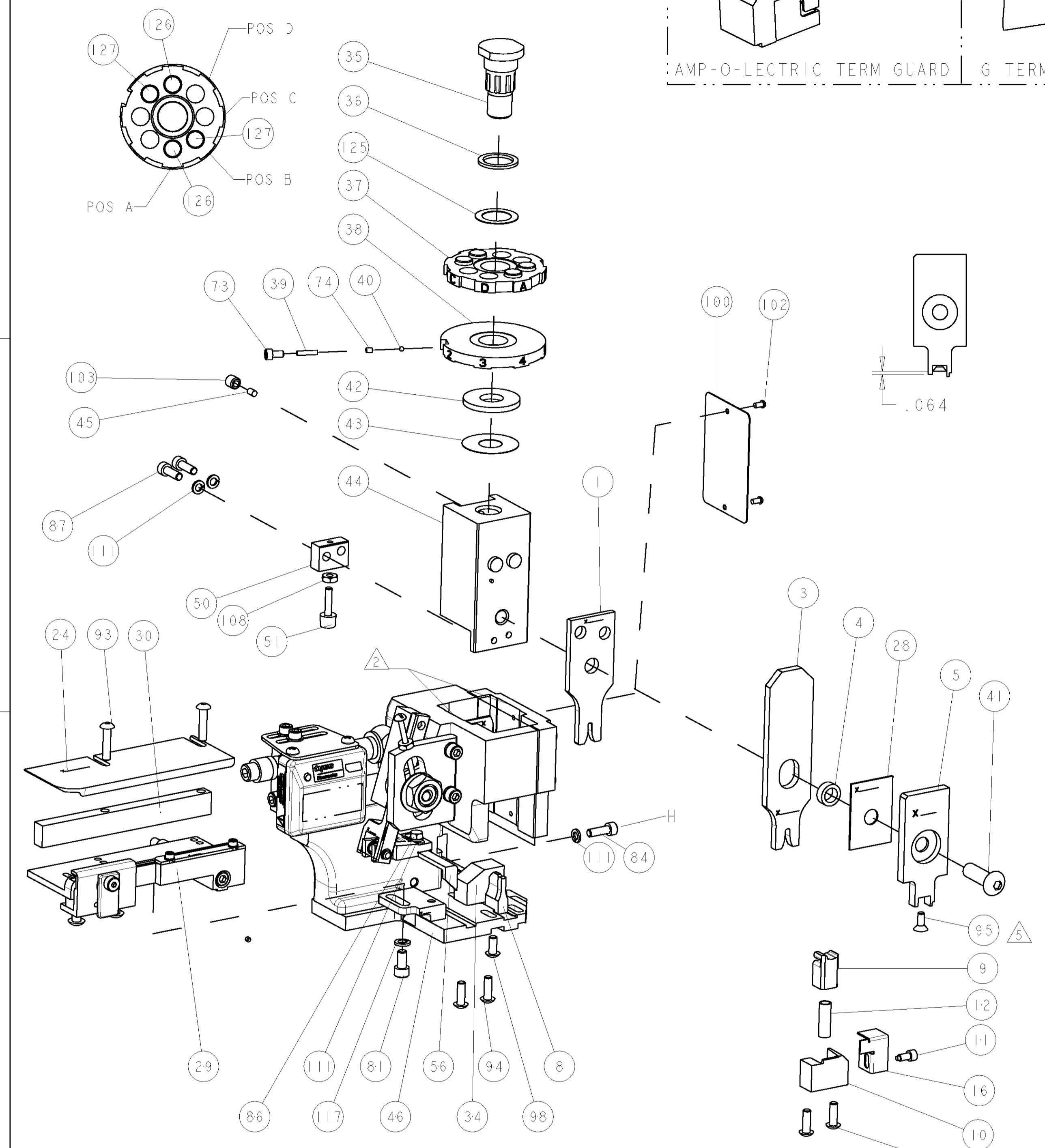


PART NUMBER		REV	FIRST USED	POWER UNIT	FEED TYPE
1852089-1		A	122500-1	LEADMAKER	POST FEED
1852089-2		A	565435-5	BENCH MODEL K	PRE FEED
1852089-3		A	354500-1	BENCH MODEL G	PRE FEED



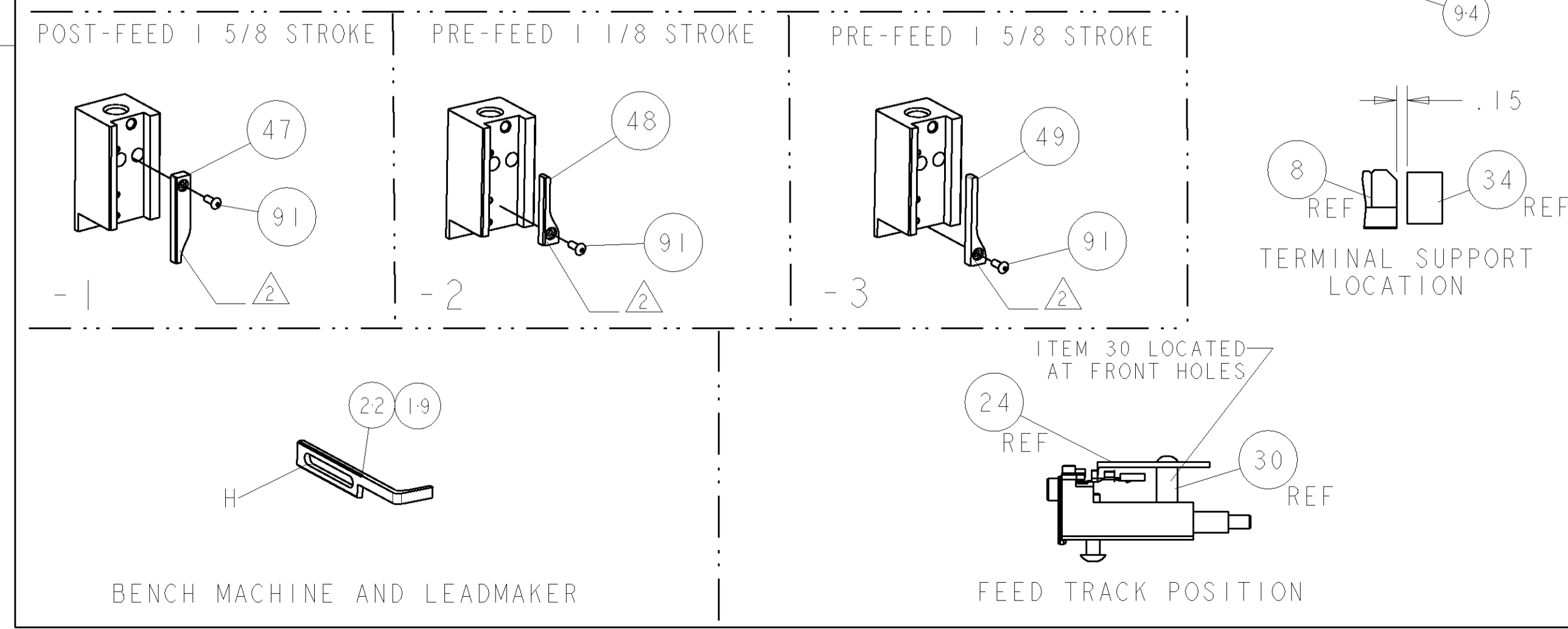
TERMINAL NAME: TAXI TERM F GT 150					
TYCO PN	MANF PN	PACKARD TERMINAL - PACKARD CRIMP SPECS			
1572753	15326265				
		PAD LTR	CRIMP HEIGHT	WIRE SIZE	
		A	1.40±0.05mm [.055±.002]	1.0mm2	
		B	1.24±0.05mm [.049±.002]	0.75mm2	
		C			
		D			
SEAL PN.		CRIMP	SIZE	TYPE	RANGE
1572756	15366022	WIRE	2.03mm [.080]	F	0.75-1.0mm2
		INSUL	2.92mm [.115]	OV	
WIRE STRIP LENGTH	TERM APPL SPEC	FEED	APPL INSTRUCTIONS	SET UP GAGE	
5.2-6.0mm	NONE	10.9mm	408-8040	458637-1	

LOC	DIST	REVISONS			
A	66	P LTR	DESCRIPTION	DATE	DWN
		A	RELEASED	03AUG2005	LG TE



- 1 RECOMMENDED SPARE PARTS
- 2 GREASE LIGHTLY
- 3 GUARD MUST BE IN PLACE WHEN OPERATING APPLICATOR IN A BENCH MACHINE
- 4 SPECIAL INSULATION CRIMP AND SEAL APPLICATION DOES NOT FOLLOW STANDARD PACKARD SPEC.
- 5 APPLY TORQ-SEAL IN ALLEN SOCKET TO FILL HOLE AFTER FLAT HD HAS BEEN ADJUSTED TO CORRECT HEIGHT AT QUALIFICATION. APPLY PN 1-23419-5 LOC-TITE TO THREADS.

2	2	2	-	3-354779-6	PIN, WIRE DISC, .3170	129
2	2	2	-	2-354779-4	PIN, WIRE DISC, .3110	127
1	1	1	-	986950-1	WASHER, FLAT PRECISION	126
1	1	1	-	217238-1	GENERAL INSTRUCTION PKG	125
1	1	1	-	4088040	SF APPL INST 408-8040	124
-	-	-	-	-	-	123
-	-	-	-	-	-	122
-	-	-	-	-	-	121
-	-	-	-	-	-	120
-	-	-	-	-	-	119
-	-	-	-	-	-	118
1	1	1	-	21024-5	WASHER, SPRG LOCK, REG NO 10	117
-	-	-	-	-	-	116
-	-	-	-	-	-	115
-	-	-	-	-	-	114
-	-	-	-	-	-	113
-	-	-	-	-	-	112
4	4	4	-	21024-4	WASHER, SPRG LOCK, REG NO 8	111
-	-	-	-	-	-	110
-	-	-	-	-	-	109
1	1	1	-	21018-5	NUT, HEX, REG 6-32	108
-	-	-	-	-	-	107
-	-	-	-	-	-	106
-	-	-	-	-	-	105
-	-	-	-	-	-	104
1	1	1	-	21009-2	SCR, SET, SELF LOCKING 1/4-20 X .250	103
2	2	2	-	21017-2	SCREW, DRIVE	102
-	-	-	-	-	-	101
1	1	1	-	461264-1	PLATE, IDENTIFICATION	100
-	-	-	-	-	-	99
1	1	1	-	22733-8	SCR, BHSC, SELF-LOCKING, 8-32 X .375	98
-	-	-	-	-	-	97
-	-	-	-	-	-	96
1	1	1	-	1-21003-9	SCR, FLT SKT HD CAP 6-32 X .375	95
4	4	4	-	2-21002-2	SCR, BTN SKT HD CAP 8-32 X .500	94
2	2	2	-	2-21002-4	SCR, BTN SKT HD CAP 8-32 X .750	93
-	-	-	-	-	-	92
1	1	1	-	1-21002-7	SCR, BTN SKT HD CAP 6-32 X .375	91
-	-	-	-	-	-	90
-	-	-	-	-	-	89
-	-	-	-	-	-	88
2	2	2	-	2-21000-7	SCR, SKT HD CAP 8-32 X .500	87
1	1	1	-	2-22603-0	SCR, HEX HD CAP 8-32 X .312	86
-	-	-	-	-	-	85
1	1	1	-	2-21000-7	SCR, SKT HD CAP 8-32 X .500	84
-	-	-	-	-	-	83
-	-	-	-	-	-	82
1	1	1	-	3-21000-4	SCR, SKT HD CAP 10-32 X .375	81
-	-	-	-	-	-	80
3	REF	-	-	455749-1	GUARD WINDOW	79
3	REF	-	-	679532-1	INSERT, GUARD	78
-	-	-	-	-	-	77
-	-	-	-	-	-	76
-	-	-	-	-	-	75
1	1	1	-	690603-1	SPRING ASSIST AMP-O-MATOR APPLICATOR	74
-	-	-	-	-	-	73
-	-	-	-	-	-	72
-	-	-	-	-	-	71
-	-	-	-	-	-	70
-	-	-	-	-	-	69
-	-	-	-	-	-	68
-	-	-	-	-	-	67
-	-	-	-	-	-	66
-	-	-	-	-	-	65
-	-	-	-	-	-	64
-	-	-	-	-	-	63
-	-	-	-	-	-	62
-	-	-	-	-	-	61
-	-	-	-	-	-	60
-	-	-	-	-	-	59
-	-	-	-	-	-	58
-	-	-	-	-	-	57
1	1	1	-	458537-2	PAWL, FEED	56
-	-	-	-	-	-	55
-	-	-	-	-	-	54
-	-	-	-	-	-	53
-	-	-	-	-	-	52
1	1	1	-	811242-2	BUMPER, HOLD DOWN	51
1	1	1	-	690753-1	SPACER, TONKER	50
1	-	-	-	690602-6	CAM, PRE FEED, 1 5/8	49
-	1	1	-	690602-5	CAM, PRE FEED, 1 1/8	48
-	-	1	-	690501-4	CAM, POST FEED, 1 5/8	47
1	1	1	-	459456-1	APPL. BASIC SUB ASSY (SIDE WISE MOCA)	46
1	1	1	-	690191-1	PLUG, NYLON	45
1	1	1	-	455673-1	RAM	44
1	1	1	-	690125-1	SHIM SUB-ASSY	43
1	1	1	-	690124-1	WASHER, RAM (.115)	42
1	1	1	-	7-21002-9	SCR, BTN SKT HD CAP 5/16-24 X 1.00	41
1	1	1	-	23241-6	BALL, STEEL	40
1	1	1	-	690170-1	SPRING, COMPRESSION	39
1	1	1	-	690142-3	DISC, INSULATION	38
1	1	1	-	354777-1	WIRE DISC, ASSEMBLY	37
1	1	1	-	22480-5	SPRING, COMPRESSION	36
1	1	1	-	690212-1	POST, RAM	35
1	1	1	-	2-690786-3	TERMINAL SUPPORT	34
-	-	-	-	-	-	33
-	-	-	-	-	-	32
-	-	-	-	-	-	31
1	1	1	-	1320908-1	SPACER, STRIP GUIDE	30
1	1	1	-	1633091-1	SUB-ASSEMBLY, FEEDTRACK	29
1	1	1	-	455888-7	SPACER, CRIMPER	28
-	-	-	-	-	-	27
-	-	-	-	-	-	26
-	-	-	-	-	-	25
1	1	1	-	1320928-3	PLATE, STRIP GUIDE	24
-	-	-	-	-	-	23
-	-	-	-	-	-	22
-	-	-	-	-	-	21
-	-	-	-	-	-	20
1	1	1	-	690472-9	STRIPPER	19
-	-	-	-	-	-	18
-	-	-	-	-	-	17
1	1	1	-	318563-1	GUARD, FRONT CHIP	16
-	-	-	-	-	-	15
-	-	-	-	-	-	14
1	1	1	-	5-22280-0	SPRING, COMPRESSION	13
1	1	1	-	690461-2	STOP, SHEAR	12
1	1	1	-	1-690459-0	SHEAR HOLDER, FRONT	11
1	1	1	-	318707-2	FLOATING SHEAR, FRONT	9
1	1	1	-	1633109-6	ANVIL, COMBINATION .080	8
-	-	-	-	-	-	7
-	-	-	-	-	-	6
1	1	1	-	318701-1	DEPRESSOR, SHEAR	5
1	1	1	-	238011-3	BLOCK, CRIMPER SPACER	4
1	1	1	-	7-854830-7	CRIMPER, INSULATION SPECIAL	3
-	-	-	-	-	-	2
1	1	1	-	2-456405-9	CRIMPER, WIRE PREMIUM	1



23030-1	SCR, SKT HD CAP 6-32 x .25	73
-	-	72
-	-	71
-	-	70
-	-	69
-	-	68
-	-	67
-	-	66
-	-	65
-	-	64
-	-	63
-	-	62
-	-	61
-	-	60
-	-	59
-	-	58
-	-	57
458537-2	PAWL, FEED	56
-	-	55
-	-	54
-	-	53
-	-	52
811242-2	BUMPER, HOLD DOWN	51
690753-1	SPACER, TONKER	50
690602-6	CAM, PRE FEED, 1 5/8	49
690602-5	CAM, PRE FEED, 1 1/8	48
690501-4	CAM, POST FEED, 1 5/8	47
459456-1	APPL. BASIC SUB ASSY (SIDE WISE MOCA)	46
690191-1	PLUG, NYLON	45
455673-1	RAM	44
690125-1	SHIM SUB-ASSY	43
690124-1	WASHER, RAM (.115)	42
7-21002-9	SCR, BTN SKT HD CAP 5/16-24 X 1.00	41
23241-6	BALL, STEEL	40
690170-1	SPRING, COMPRESSION	39
690142-3	DISC, INSULATION	38
354777-1	WIRE DISC, ASSEMBLY	37
22480-5	SPRING, COMPRESSION	36
690212-1	POST, RAM	35
2-690786-3	TERMINAL SUPPORT	34
-	-	33
-	-	32
-	-	31
1320908-1	SPACER, STRIP GUIDE	30
1633091-1	SUB-ASSEMBLY, FEEDTRACK	29
455888-7	SPACER, CRIMPER	28
-	-	27
-	-	26
-	-	25
1320928-3	PLATE, STRIP GUIDE	24
-	-	23
690472-2	STRIPPER	22
-	-	21
-	-	20
690472-9	STRIPPER	19
-	-	18
-	-	17
318563-1	GUARD, FRONT CHIP	16
-	-	15
-	-	14
5-22280-0	SPRING, COMPRESSION	13
690461-2	STOP, SHEAR	12
1-690459-0	SHEAR HOLDER, FRONT	11
318707-2	FLOATING SHEAR, FRONT	9
1633109-6	ANVIL, COMBINATION .080	8
-	-	7
-	-	6
318701-1	DEPRESSOR, SHEAR	5
238011-3	BLOCK, CRIMPER SPACER	4
7-854830-7	CRIMPER, INSULATION SPECIAL	3
-	-	2
2-456405-9	CRIMPER, WIRE PREMIUM	1

Mouser Electronics

Authorized Distributor

Click to View Pricing, Inventory, Delivery & Lifecycle Information:

[TE Connectivity:](#)

[1852089-1](#)