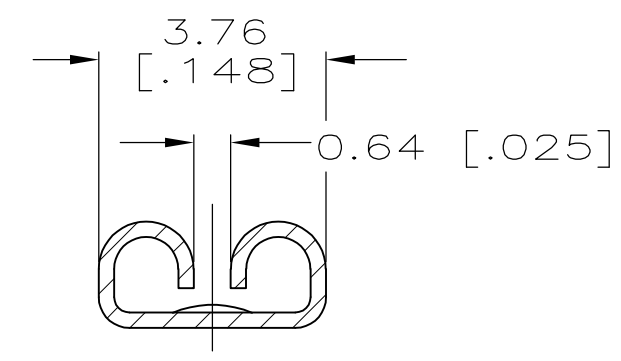
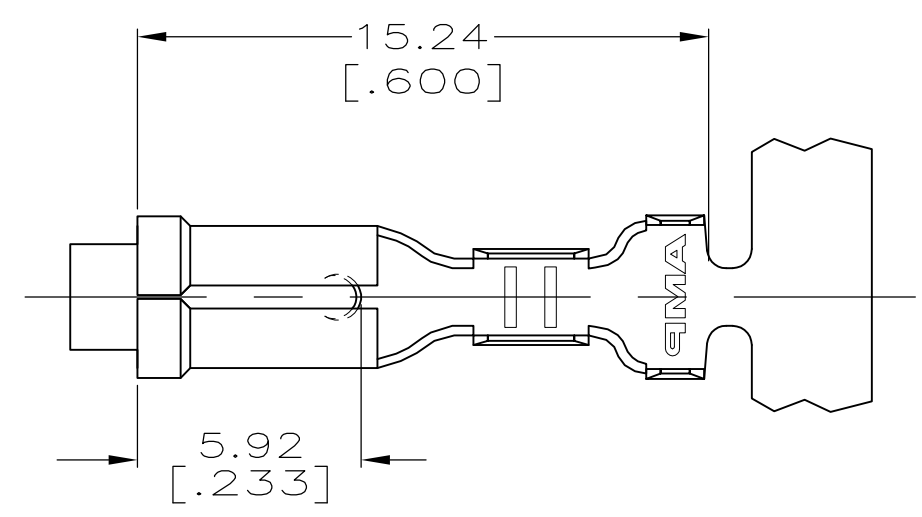


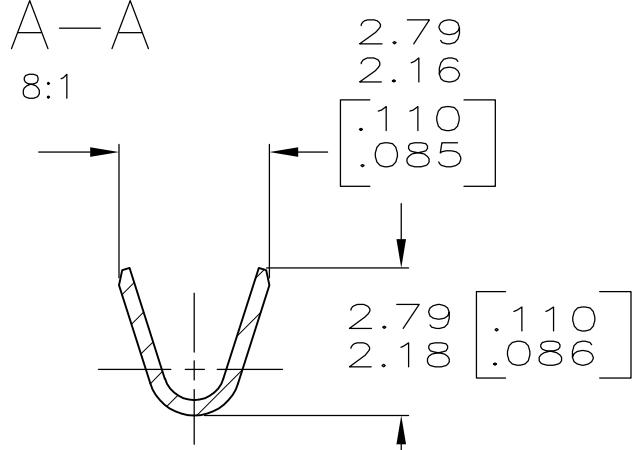
THIS DRAWING IS UNPUBLISHED. RELEASED FOR PUBLICATION  
 © COPYRIGHT - By - ALL RIGHTS RESERVED.

LOC	DIST	REVISIONS			
P	LTR	DESCRIPTION	DATE	DWN	APVD
AF	50	G2	REVISED PER ECR-14-004075	24MAR2014	NK RL

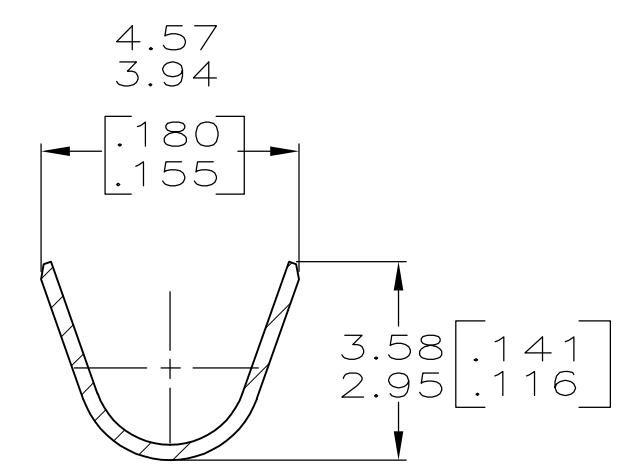
- 1 CONTINUOUS STRIP ON REELS.
- △ FINISH LEAD-FREE, MATTE TIN OVER NICKEL



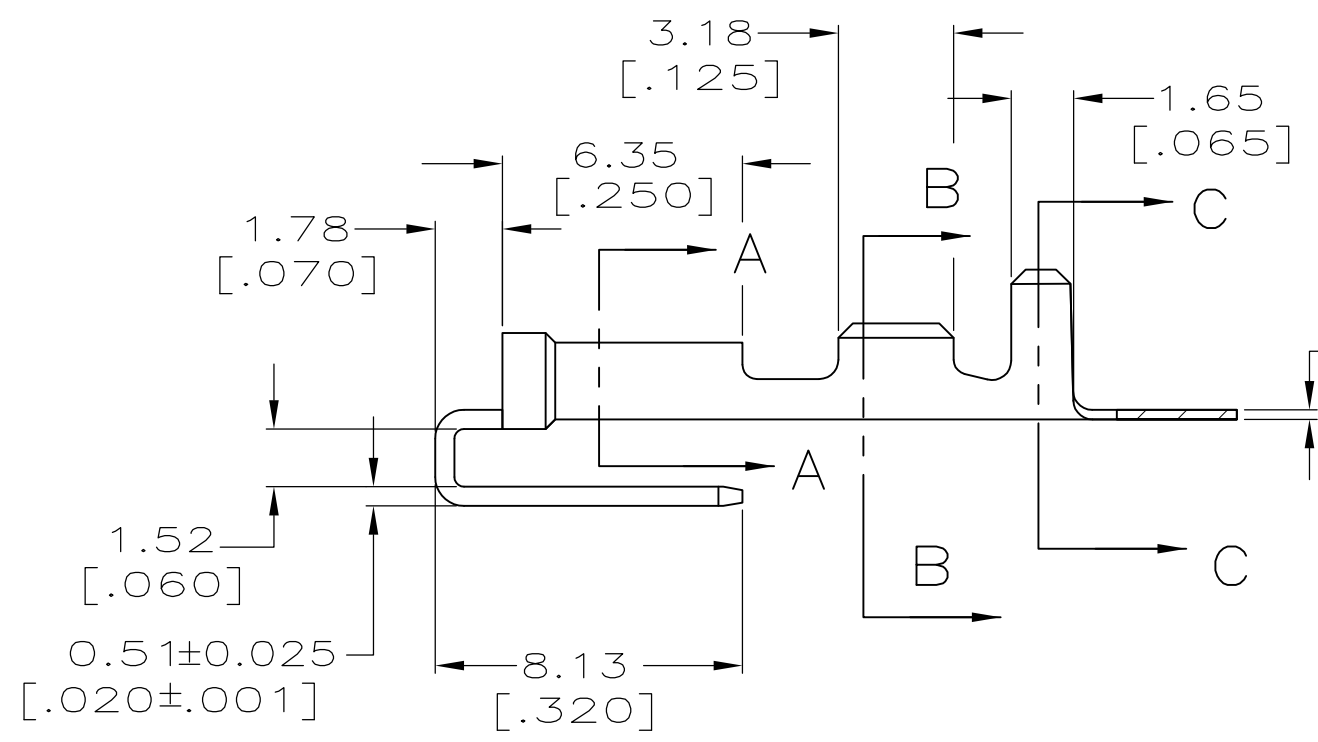
SECTION A-A  
SCALE 8:1



SECTION B-B  
SCALE 8:1



SECTION C-C  
SCALE 8:1



0.25±0.025  
[.010±.001]

1.52-2.54 DIA [.060-.100] DIA	[#22-#18] AWG	0.508±0.025 [.020±.001]	△ 2 TIN	62003-4
			-	62003-2
				62003-1
INSULATION RANGE	WIRE SIZE	MATING TAB THICKNESS	FINISH	PART NO

THIS DRAWING IS A CONTROLLED DOCUMENT.		DWN JR RUTH 5/16/95	TE Connectivity				
DIMENSIONS: mm [INCHES]		CHK MS FEHER 5/16/95					
TOLERANCES UNLESS OTHERWISE SPECIFIED: 0 PLC ± - 1 PLC ± - 2 PLC ± 0.38 [.015] 3 PLC ± - 4 PLC ± - ANGLES ± -		APVD P DESANTIS 5/16/95	NAME				
		PRODUCT SPEC	RECEPTACLE, FASTON, PIGGYBACK, 2.79 [.110] SERIES				
MATERIAL BRASS		FINISH SEE TABLE	APPLICATION SPEC	SIZE	CAGE CODE	DRAWING NO	RESTRICTED TO
						A300779 C-62003	
CUSTOMER DRAWING			WEIGHT	SCALE	SHEET	REV	
				5:1	1 OF 1	G2	

# Mouser Electronics

Authorized Distributor

Click to View Pricing, Inventory, Delivery & Lifecycle Information:

[TE Connectivity:](#)

[62003-1](#)