

Mini Series Buccaneer


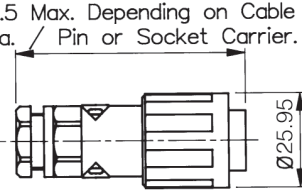

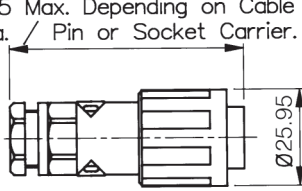

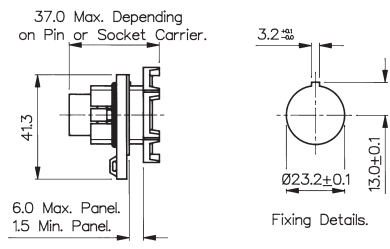

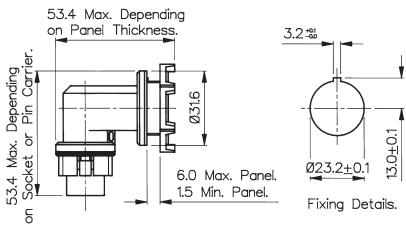

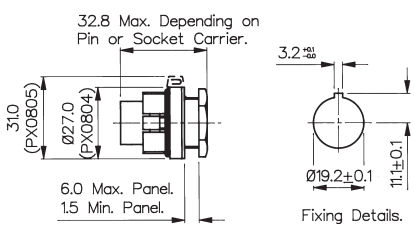
Positioned between the Standard and 400 Series in both performance and form factor, the Mini Buccaneer provides reliable power up to 250V, 10A. With secure, screw thread locking and rated to IP68, the Mini Buccaneer has proved that it can perform in demanding Marine and Industrial applications.



- Water and Dustproof to IP68 When Mated
- Screw Terminal Inserts Available Separately in 2, 3, 4, 6 Pole, Pin or Socket
- BNC Plug or Socket Insert Available Separately in 50 Ohm, 75 Ohm Versions for all Connector Body Styles Except PX0803
- PX0800, PX0801 Flex and Flex In-Line Cable Connector Bodies have a choice of Cable Acceptance 3.5mm-9mm Diameter depending on Part Code (see Data for Details)
- Part Codes Prefixed PX0802, PX0803, PX0804, PX0805 - Panel Mount Connectors (Mate with PX08 Mini Series)
- Choose Type of Contacts from Screw Terminal, Solder / Crimp Contacts, BNC
- Choose Type of Connector Body:
 - Part Codes Prefixed PX0800 - Flex Cable Connectors (Mate with PX0801 Flex In-Line)
 - PX08 Mini Series Panel Mount Connectors), Optionally choose Cable Acceptance Part Codes Prefixed PX0801 - Flex In-Line Cable Connectors (mate with PX0800 Flex Cable Connectors), Optionally Choose Cable Acceptance

Mini Series Buccaneer



<p>Flex Cable Connector</p>  <p>PX0800 (shown with insert)</p>	<ul style="list-style-type: none"> ○ PX0800 Connector Body Mates with Flex In-line or Panel Mounting Versions ○ Screw Locking Ring ○ Suitable for Pin or Socket Inserts ○ Cable Acceptance 3.5-9mm (Standard 5-7mm) 	<p>61.5 Max. Depending on Cable Dia. / Pin or Socket Carrier.</p> 
<p>Inline Flex Cable Connector</p>  <p>PX0801 (shown with insert)</p>	<ul style="list-style-type: none"> ○ PX0801 Connector Body ○ Mates with PX0800 - Flex Cable Connector ○ Suitable for Pin or Socket Inserts ○ Cable Acceptance 3.5-9mm (Standard 5-7mm) 	<p>61.5 Max. Depending on Cable Dia. / Pin or Socket Carrier.</p> 
<p>Panel Mounting</p>  <p>PX0802 (shown with insert)</p>	<ul style="list-style-type: none"> ○ PX0802 Connector body ○ Mates with PX0800 - Flex Cable Connector ○ Single Hole Fixing ○ Suitable for Pin or Socket Inserts ○ Contact Inserts Supplied Separately 	<p>37.0 Max. Depending on Pin or Socket Carrier.</p> <p>41.3</p> <p>6.0 Max. Panel. 1.5 Min. Panel.</p> <p>3.2^{±0.05}</p> <p>Ø23.2±0.1</p> <p>13.0±0.1</p> <p>Fixing Details.</p> 
<p>Panel Mounting</p>  <p>PX0803 (shown with insert)</p>	<ul style="list-style-type: none"> ○ Mates with PX0800 - Flex Cable Connector ○ Right Angle Cable Entry ○ Single Hole Fixing ○ Suitable for Pin or Socket Inserts ○ Contact Inserts Supplied Separately 	<p>53.4 Max. Depending on Panel Thickness.</p> <p>53.4 Max. Depending on Socket or Pin Carrier.</p> <p>Ø31.6</p> <p>6.0 Max. Panel. 1.5 Min. Panel.</p> <p>3.2^{±0.05}</p> <p>Ø23.2±0.1</p> <p>13.0±0.1</p> <p>Fixing Details.</p> 
<p>Panel Mounting</p>  <p>PX0805 (shown with insert)</p>	<ul style="list-style-type: none"> ○ Mates with PX0800 - Flex Cable Connector ○ PX0804 without Sealing Cap Retaining Clip, PX0805 with Sealing Cap Retaining Clip ○ Single Hole Fixing ○ Suitable for Pin or Socket Inserts 	<p>32.8 Max. Depending on Pin or Socket Carrier.</p> <p>31.0 (PX0805)</p> <p>Ø27.0 (PX0804)</p> <p>6.0 Max. Panel. 1.5 Min. Panel.</p> <p>3.2^{±0.05}</p> <p>Ø19.2±0.1</p> <p>11.4±0.1</p> <p>Fixing Details.</p> 

Mini Series Buccaneer



Screw Terminal Inserts



- ⬡ 2, 3, 4 & 6 Poles
- ⬡ Fits all Body Styles
- ⬡ Leading Earth Pin on 3, 4 & 6 Pole Inserts
- ⬡ Nickel Plated Contacts

Screw Terminal Inserts - Fits All Body Styles

<u>Sockets:</u>	<u>Poles:</u>	<u>Pins:</u>	<u>Poles:</u>
SA3319	2	SA3320	2
SA3229	3	SA3230	3
SA3242	4	SA3241	4
SA3244	6	SA3243	6

Contact Carrier Inserts



Inserts Shown with Contacts Fitted

- ⬡ For Solder or Crimp Contacts
- ⬡ 3 or 8 Pin
- ⬡ Fits all Body Styles
- ⬡ Contacts Supplied Separately

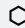
Screw Terminal Inserts - Fits All Body Styles

<u>Solder:</u>	<u>Poles:</u>	<u>Colour:</u>	<u>Crimp:</u>	<u>Colour:</u>
12734/3/1	3 Pin	Black	12734/3	Grey
12735/3/1	3 Socket	Black	12735/3	Grey
12734/1	8 Pin	Black	12734	Grey
12735/1	8 Socket	Black	12735	Grey

Mini Series Buccaneer

Contacts, Polarising / Blanking Pins



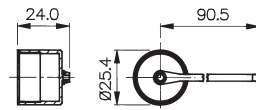
-  Gold Plated Contacts
-  Solder or Crimp
-  Polarising / Blanking Pins

Part No.		Description
Crimp:	Solder:	Contacts (Supplied Packs of 10):
SA3148	SA3148/1	Pins
SA3149	SA3149/1	Sockets
	SA3147	Polarising / Blanking Pins
	SA3150	Contact Insertion Tool: (Must be used to Load Contacts into Inserts)
	SA2800	Crimping Tool

Sealing Caps

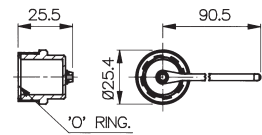


To Maintain IP Rating



PX0810:

Fits PX0801, PX0802, PX0803, PX0804 & PX0805.
Ensure "O" Ring is in Place on Main Body.



PX0811:

Fits PX0800. Ensure "O" Ring is in Place in Cap.

Mini Series Buccaneer

Technical Overview Data

Electrical:

No Poles:	3, 8
Current Rating:	5A
Voltage Rating:	380V ac
Contact Resistance:	<5mΩ
Insulation Resistance:	>10 ⁶ MΩ @ 500V d.c.
Voltage Proof:	2kV @ 50Hz
Operating Temp. Range:	-20°C to +70°C

Approvals

 E214972

Materials:

Body Mouldings:	Polyamide UL94V-0
Inserts:	Polyamide UL94V-0
Contacts:	Copper Alloy, Gold Plated (0.1µm) on Nickel
O Rings:	Nitrile

RoHS

Compliant

Mechanical:

Sealing:	Protection Classification IP68, EN 60529: 1992+A2:2013 Tested @ 1.054kg/sq.cm. (15lb/sq.in.) 10m Depth for 2 Weeks.
Salt Mist:	EN60068-2-52 Test Kb Salt Mist (Cyclic) Marine Severity Level 1
Cable Acceptance:	5-7.00mm Dia - Standard Gland 3.5-9.00mm Dia - Alternative Glands
Contact Accommodation:	0.2 - 0.5mm ² (20 - 24 AWG)
Insertion Force (Typical):	3 Way: 5N (1.1lbf) 8 Way: 14N (3.1lbf)
Withdrawal Force (Typical):	3 Way: 3N (0.66lbf) 8 Way: 12N (2.6lbf)

Tightening Torques

Gland Nut, PX0800, 801:	1.13Nm (10lbf in)
Rear Nut, PX0802, 803, 804, 805:	0.7Nm min, 1.7Nm Max (6.2lbf in Min, 15lbf in Max)
Sealing Cap, PX0810, 811:	0.23Nm min, 1.13Nm Max (2lbf in Min, 10lbf in Max)

How To Order:

- ⊞ Choose Body Type, check Cable Diameter and Sealing Gland Size.
- ⊞ Determine Contact Carrier Inserts. Choose Number of Poles, and type of Contacts (Solder, Crimp, Screw Terminal or BNC).
- ⊞ Choose Pins or Sockets. Solder and Crimp Contacts are Supplied Separately in Packs of 10.
- ⊞ Choose Polarising / Blanking Pins. If required for Solder / Crimp Contact Inserts. Supplied in Packs of 10.
- ⊞ Is an Insertion Tool required (for Solder or Crimp Contacts)?
- ⊞ Is a Crimp Tool required?
- ⊞ Is a Sealing Cap required?

Cable Glands:

Cable Gland for 5-7mm Fitted as Standard.
BNC Insert Kit includes Gland & Washer to Fit Coax Cable.

Cable Diameter:	Gland Part No.	Gland Colour:	Additional Suffix:
5-7mm	12023/1	White	Fitted as Standard
3.5-5mm	SA3426	Grey	Suffix /04†
6-8mm	12023	Black	Suffix /06
7-9mm	12023/2	Yellow	Suffix /07
Gland Pack	PX0812		
			Pack of 3 Glands to Suit Cables 3.5-5mm, 6-8mm, 7-9mm Dia†

To Order Body with Alternative Cable Gland add Suffix to Part No.
E.g. **PX0800/06 = PX0800** Body with Cable Gland to Suit 6-8mm Dia. Cable. †Includes Additional Black Gland Cage for 3.5-5mm Dia. Cable Range.

Screw Terminals:

2, 3	4	6
10A	6A	3A
250V ac	250V ac	250V ac

BNC:

Screw Terminals:

Polyamide UL94V-0
Polyamide UL94V-0
Brass, Nickel Plated

BNC:

Brass, Silver Plated.

Compliant

Compliant

Screw Terminals:

1mm² Max (18 AWG)
3 Way: 45N (10lbf)
4 Way: 50N (11lbf)
6 Way: 140N (31lbf)
3 Way: 32N (7lbf)
4 Way: 40N (9lbf)
6 Way: 150N (34lbf)

BNC:

50Ω: RG58/CU,
URM43, URM76
75Ω: URM70