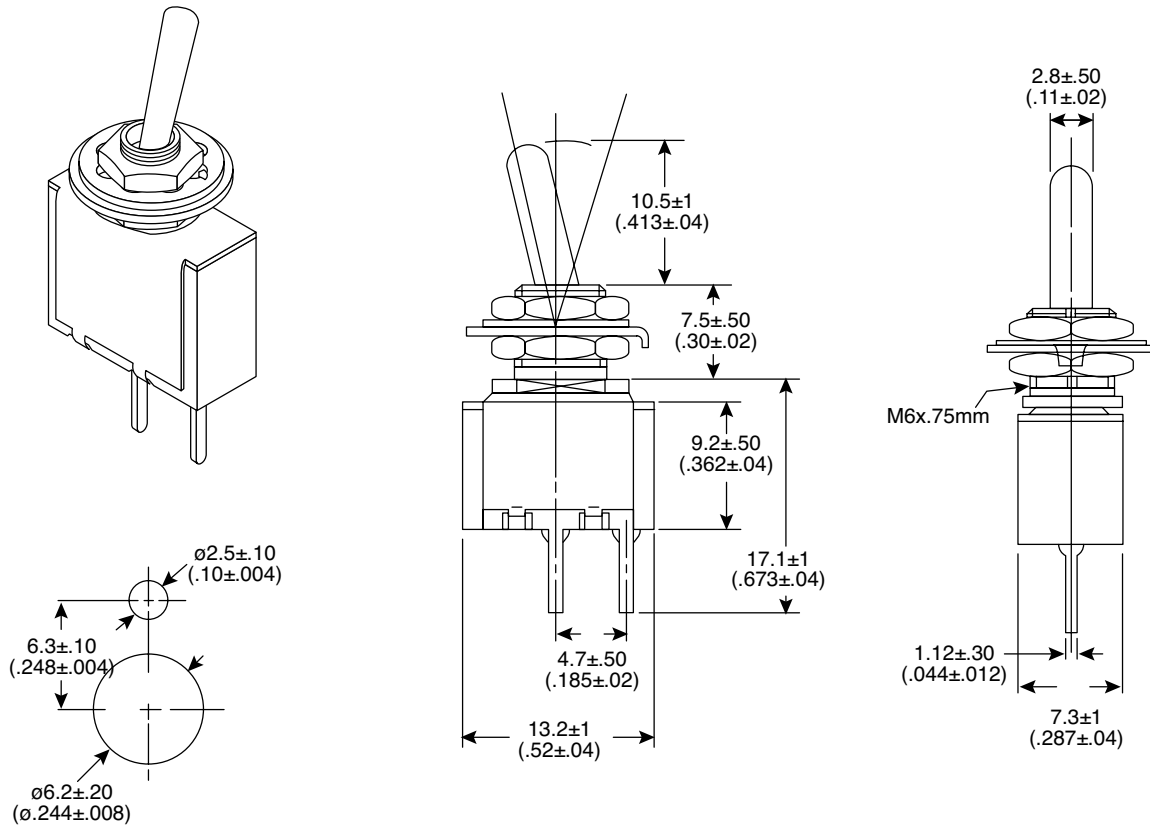


Dimensions: mm (in)



**Electrical Specifications:**

- Rating: 6A/125VAC, 3A/250VAC
- Contact resistance: 50m $\Omega$  max
- Insulation resistance: 500VDC 100M $\Omega$  min
- Dielectric strength: 1000VAC for 1 minute

**Mechanical Specifications:**

- Operating temperature: -20°C ~ +65°C
- Circuit: 2P SPST On-Off

**Note**

- RoHS Compliant by Exemption

**Miniature Toggle Switch**

1055-TA1320B-EVX



Available from Mouser Electronics

www.mouser.com

1-800-346-6873

# Mouser Electronics

Authorized Distributor

Click to View Pricing, Inventory, Delivery & Lifecycle Information:

[Mountain Switch:](#)

[1055-TA1320B-EVX](#)