



SERIES 400 SWITCHES

ROCKER SWITCHES - SUB-MINIATURE

TACT SWITCHES

NAVIGATION SWITCHES

PUSHBUTTON SWITCHES

TOGGLE SWITCHES

ROCKER SWITCHES

SLIDE SWITCHES

SNAP-ACTION SWITCHES

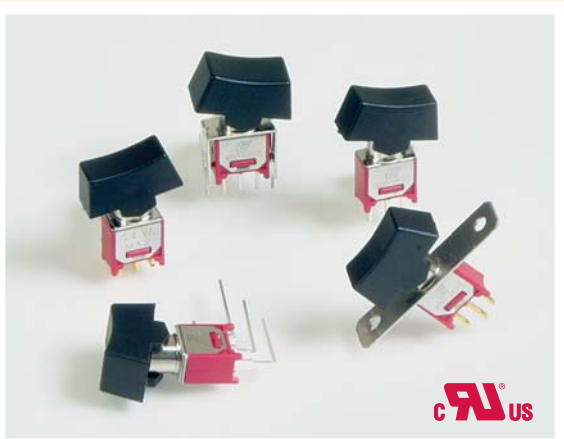
DIP SWITCHES

KEYLOCK SWITCHES

ROTARY SWITCHES

DETECTOR SWITCHES

CAP OPTIONS



SPECIFICATIONS

Contact Rating:	See contact material options
Life Expectancy:	30,000 make-and-break cycles at full load
Contact Resistance:	20 mΩ max. typical initial @ 2-4 VDC 100 mA for silver and gold plated contacts
Insulation Resistance:	1,000 MΩ min
Dielectric Strength:	1,000 V RMS @ sea level
Operating Temperature:	-30° C to 85° C

MATERIALS

Case:	Diallyl phthalate (DAP) or glass filled nylon, flame retardant, heat stabilized (UL 94-V0)
Rocker:	Nylon
Bushing:	Brass, nickel plated
Housing:	Stainless steel
Terminal/Switch Support:	Brass, or steel tin plated
Contacts / Terminals:	Silver or gold plated copper alloy

FEATURES & BENEFITS

- ▶ Variety of switching functions
- ▶ Sub-miniature
- ▶ Multiple actuator options

APPLICATIONS/MARKETS

- ▶ Telecommunications
- ▶ Instrumentation
- ▶ Test equipment
- ▶ Networking
- ▶ Computer peripherals

HOW TO ORDER

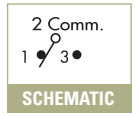
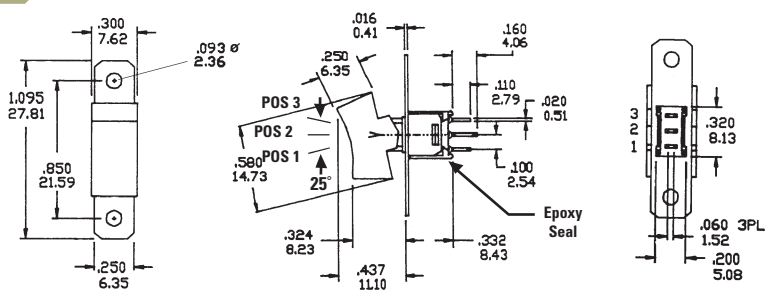
SERIES	MODEL NO.	ACTUATOR	ACTUATOR COLOR	TERMINATION	CONTACT MATERIAL	SEAL
400	□ □ □ □ □	□ □	□ □ □	□ □ □ □ □	□	E
	MSP1 MSP2 MSP3 MSP4 MSP5 MSP6***	R1* R6**	BLK =Black WHT=White RED =Red	M1 M2 M6 M61 M7 M71 VS2 VS21	Q = Silver R = Gold	E = Epoxy Sealed at Base of Terminal

▶ ▶ ▶ Example Ordering Number
400-MSP1-R6-BLK-M6-R-E

* Std. all models except SPDT with M6 + M61 terminations.
** Std. on SPDT models with M6 + M61 terminations.
*** Not available with M6 terminations.

Specifications subject to change without notice.

SPDT

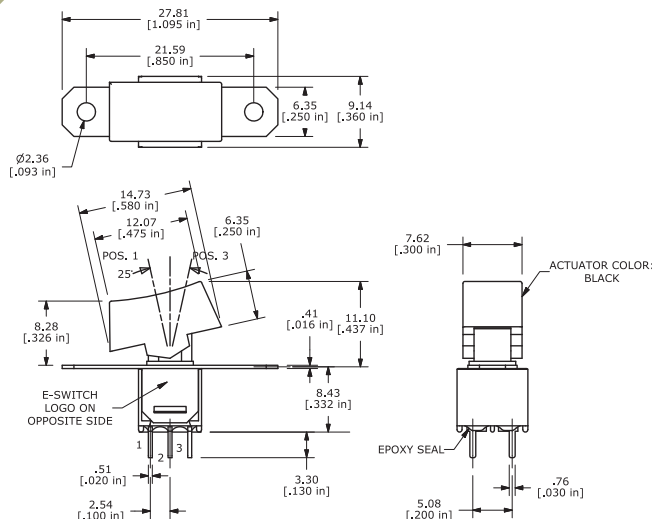
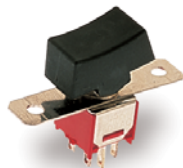


Model No.	POS 1	POS 2	POS 3
MSP-1	ON	NONE	ON
MSP-2	ON	NONE	(ON)
MSP-3	ON	OFF	ON
MSP-4	(ON)	OFF	(ON)
MSP-5	ON	OFF	(ON)
MSP-6	OFF	NONE	ON
Term. Comm.	2-3	OPEN	2-1

() = Momentary



DPDT



Model No.	POS 1	POS 2	POS 3
MDP-1	ON	NONE	ON
MDP-2	ON	NONE	(ON)
MDP-3	ON	OFF	ON
Term. Comm.	2-3, 5-6	OPEN	2-1, 5-4

() = Momentary

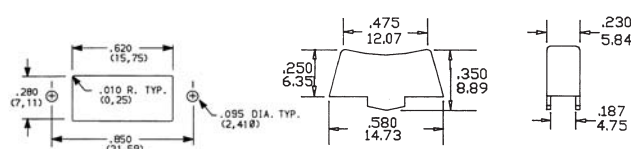
ACTUATOR OPTIONS

R1



Std. all models except SPDT with M6 terminations.

R6



Std. on SPDT models with M6 terminations.

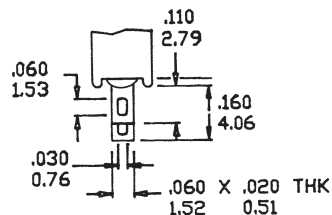
TERMINATION OPTIONS

M1

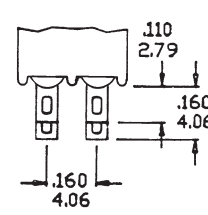
SOLDER LUG



Single Pole



Double Pole

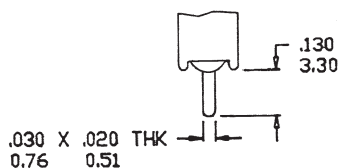


M2

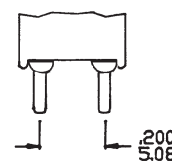
P.C. MOUNT



Single Pole



Double Pole



TACT SWITCHES

NAVIGATION SWITCHES

PUSHBUTTON SWITCHES

TOGGLE SWITCHES

ROCKER SWITCHES

SLIDE SWITCHES

SNAP-ACTION SWITCHES

DIP SWITCHES

KEYLOCK SWITCHES

ROTARY SWITCHES

DETECTOR SWITCHES

CAP OPTIONS



SERIES 400 SWITCHES

ROCKER SWITCHES - SUB-MINIATURE

TACT SWITCHES

NAVIGATION SWITCHES

PUSHBUTTON SWITCHES

TOGGLE SWITCHES

ROCKER SWITCHES

SLIDE SWITCHES

SNAP-ACTION SWITCHES

DIP SWITCHES

KEYLOCK SWITCHES

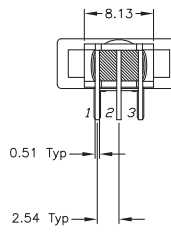
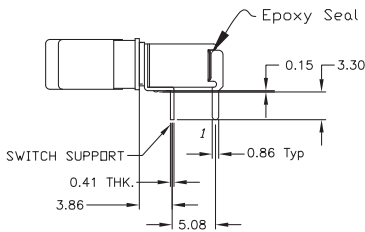
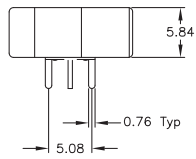
ROTARY SWITCHES

DETECTOR SWITCHES

CAP OPTIONS

M6

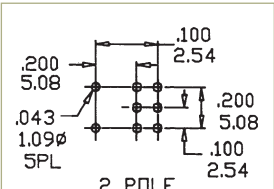
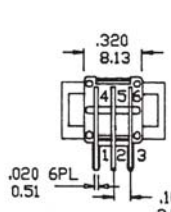
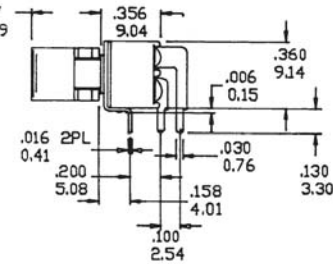
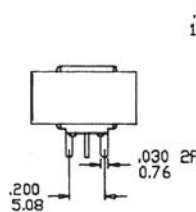
SPDT



P.C. MOUNTING

M6

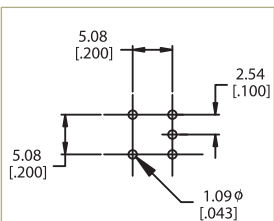
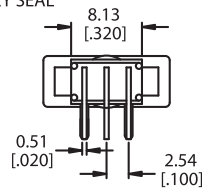
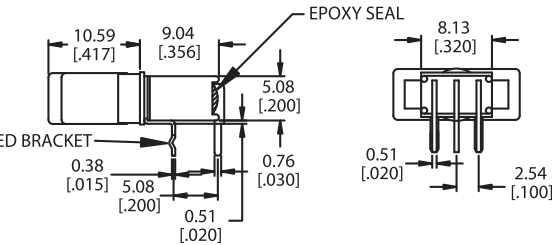
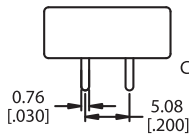
DPDT



P.C. MOUNTING

M61

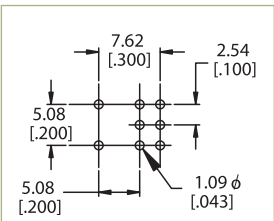
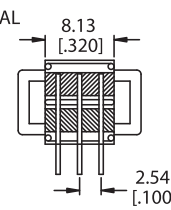
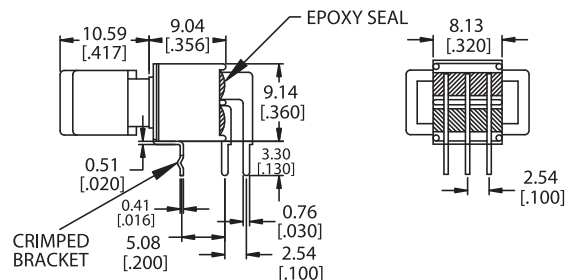
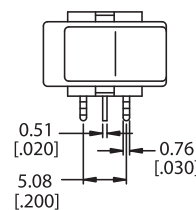
SPDT



P.C. MOUNTING

M61

DPDT

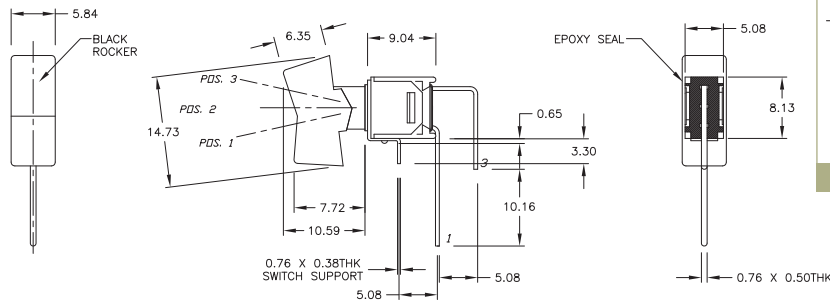


P.C. MOUNTING



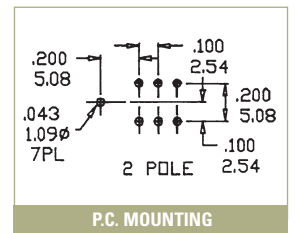
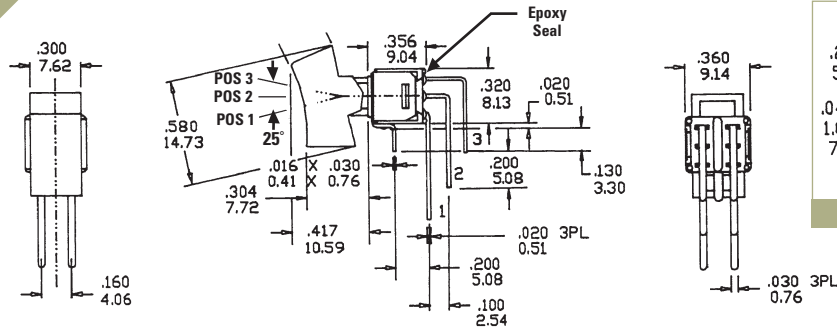
M7

SPDT



M7

DPDT



M71

SPDT



TACT SWITCHES

NAVIGATION SWITCHES

PUSHBUTTON SWITCHES

TOGGLE SWITCHES

ROCKER SWITCHES

SLIDE SWITCHES

SNAP-ACTION SWITCHES

DIP SWITCHES

KEYLOCK SWITCHES

ROTARY SWITCHES

DETECTOR SWITCHES

CAP OPTIONS

SERIES 400 SWITCHES

ROCKER SWITCHES - SUB-MINIATURE

TACT SWITCHES

NAVIGATION SWITCHES

PUSHBUTTON SWITCHES

TOGGLE SWITCHES

ROCKER SWITCHES

SLIDE SWITCHES

SNAP-ACTION SWITCHES

DIP SWITCHES

KEYLOCK SWITCHES

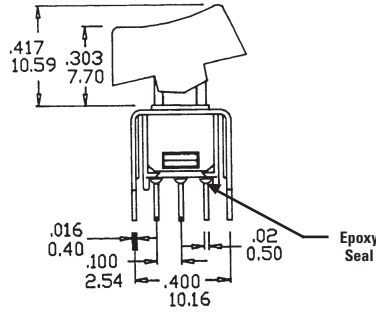
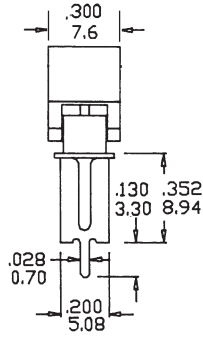
ROTARY SWITCHES

DETECTOR SWITCHES

CAP OPTIONS

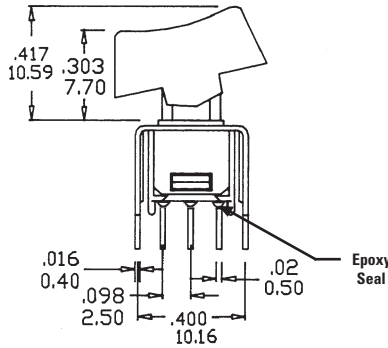
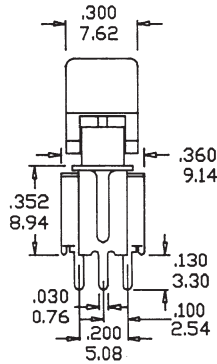
VS2

SPDT



VS2

DPDT



VS21

SPDT



CONTACT MATERIAL OPTIONS

Q

Fixed Terminal:	Silver plated copper alloy
Moving Contact:	Silver plated copper alloy
Rating:	3 AMPS @ 120 VAC or 28 VDC; 1 AMP @ 250VAC

R

Fixed Terminal:	Copper alloy with gold plate over nickel plate
Moving Contact:	Copper alloy with gold plate over nickel plate
Rating:	0.4 VA max. @ 20 VAC or DC max.

Mouser Electronics

Authorized Distributor

Click to View Pricing, Inventory, Delivery & Lifecycle Information:

E-Switch:

[400MDP1R1M7QE](#) [400MSP1R1BLKVS2QE](#) [400MSP1R1REDVS2QE](#) [400MDP2R1BLKM6QE](#)
[400MDP3R1BLKM6QE](#) [400MSP5R1BLKVS2RE](#) [400MSP1R1BLKM7RE](#) [400MSP1R6BLKM71QE](#)
[400MDP1R1BLKM6QE](#) [400MDP1R1BLKM2QE](#) [400MDP1R1BLKM61QE](#) [400MDP1R1BLKM7QE](#) [400MDP1R1M1QE](#)
[400MDP1R1REDM7QE](#) [400MDP1R1VS2QE](#) [400MDP1R6BLKM6RE](#) [400MDP1R6BLKVS2RE](#) [400MDP1R6M6QE](#)
[400MDP2R1BLKM2QE](#) [400MDP2R6BLKM7QE](#) [400MDP3R1BLKM1QE](#) [400MDP3R1BLKM2QE](#)
[400MDP3R6WHTM1QE](#) [400MSP1R1BLKM1QE](#) [400MSP1R1BLKM1RE](#) [400MSP1R1BLKM2RE](#)
[400MSP1R1BLKM6QE](#) [400MSP1R1BLKM6RE](#) [400MSP1R1BLKM7QE](#) [400MSP1R1BLKVS2RE](#)
[400MSP1R6BLKM1RE](#) [400MSP1R6BLKM61QE](#) [400MSP1R6BLKM6QE](#) [400MSP1R6BLKM6RE](#)
[400MSP1R6BLKM7QE](#) [400MSP1R6BLKM7RE](#) [400MSP1R6BLKVS2QE](#) [400MSP1R6BLKVS2RE](#)
[400MSP1R6WHTM6QE](#) [400MSP2R6BLKM2RE](#) [400MSP3R1BLKM1RE](#) [400MSP3R1BLKM2QE](#)
[400MSP3R1BLKM7QE](#) [400MSP3R1REDM7QE](#) [400MSP3R1VS2QE](#) [400MSP3R6BLKM6QE](#) [400MSP3R6BLKM6RE](#)
[400MSP4R1BLKM2RE](#) [400MSP4R1BLKM7QE](#) [400MSP4R6BLKM1QE](#) [400MSP4R6BLKM6RE](#)
[400MSP5R1BLKM1QE](#) [400MDP1R1M6RE](#) [400MDP1R1VS2RE](#) [400MDP3R1WHTM1QE](#) [400MDP3R6BLKM7QE](#)
[400MSP1R1BLKM71QE](#) [400MSP1R1M6QE](#) [400MSP1R1REDM1RE](#) [400MSP1R6M2QE](#) [400MSP1R6REDM6QE](#)
[400MSP1R6WHTM6RE](#) [400MSP2R6BLKM6QE](#) [400MSP3R1BLKM2RE](#) [400MSP4R1BLKM1QE](#)
[400MSP4R1BLKM1RE](#) [400MSP4R1BLKM2QE](#) [400MSP4R1BLKM71QE](#) [400MSP4R6BLKVS21RE](#)
[400MDP1R6BLKM7QE](#) [400MSP1R6BLKM1QE](#) [400MSP5R1BLKM71QE](#) [400MSP1R6BLKM71RE](#)
[400BWMSP1R2BLKSM6RE](#)