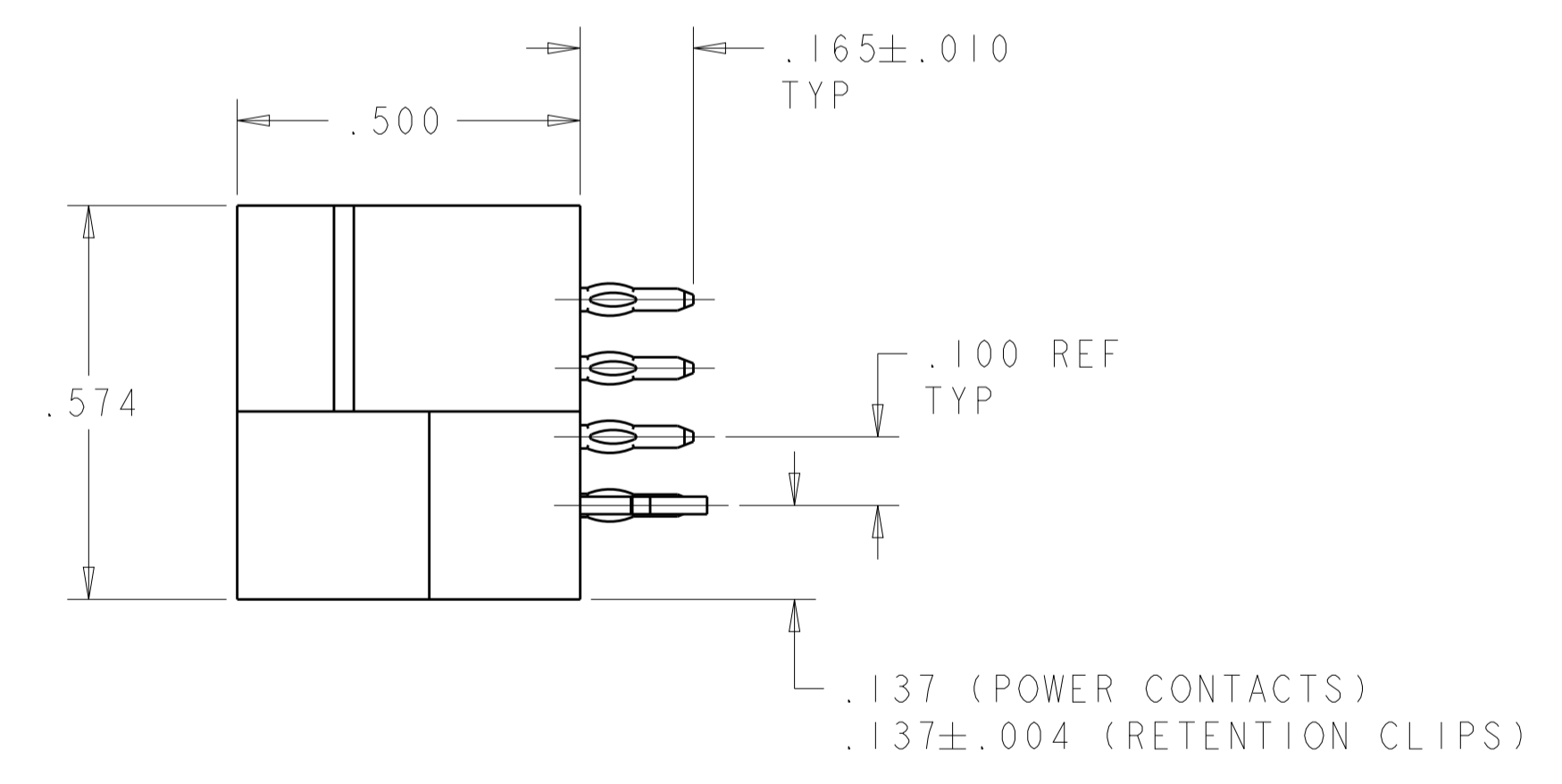
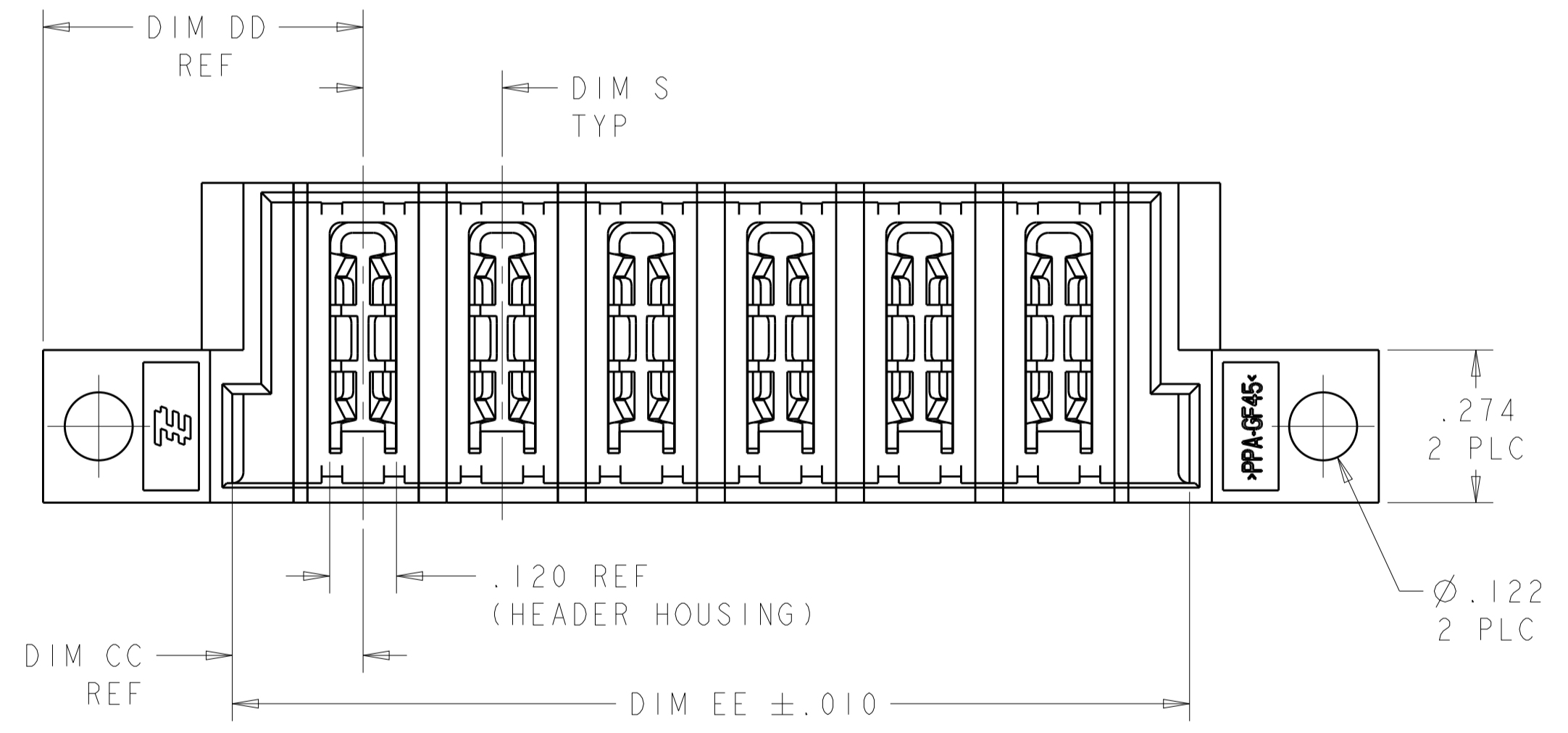
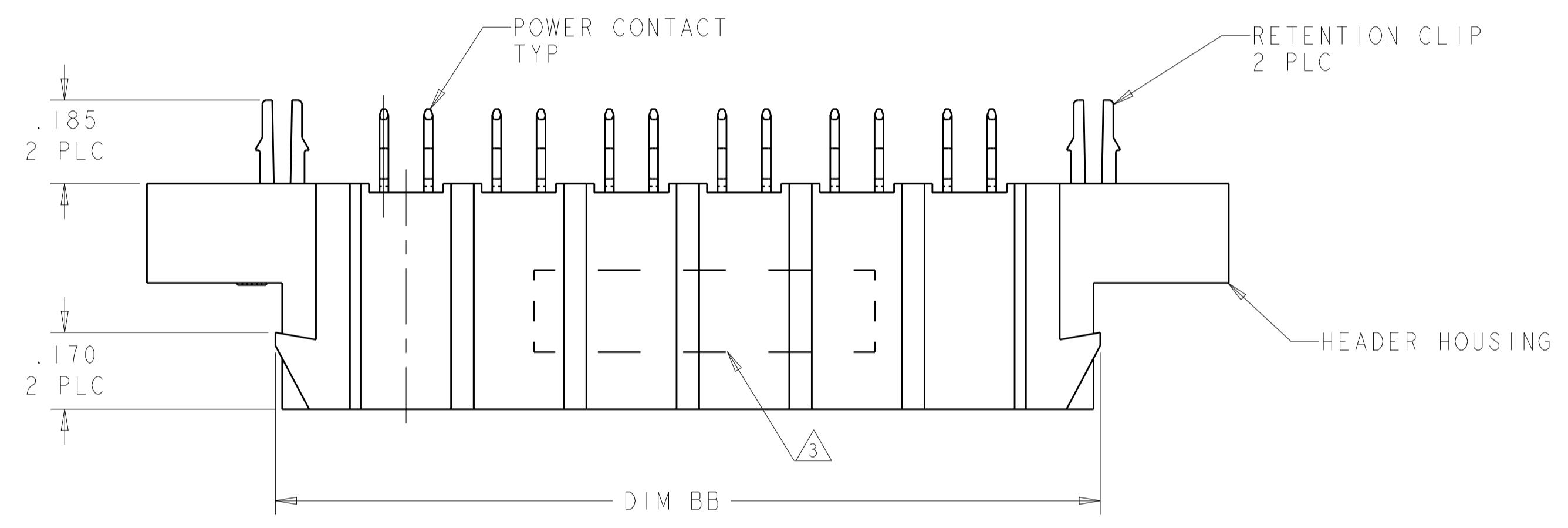
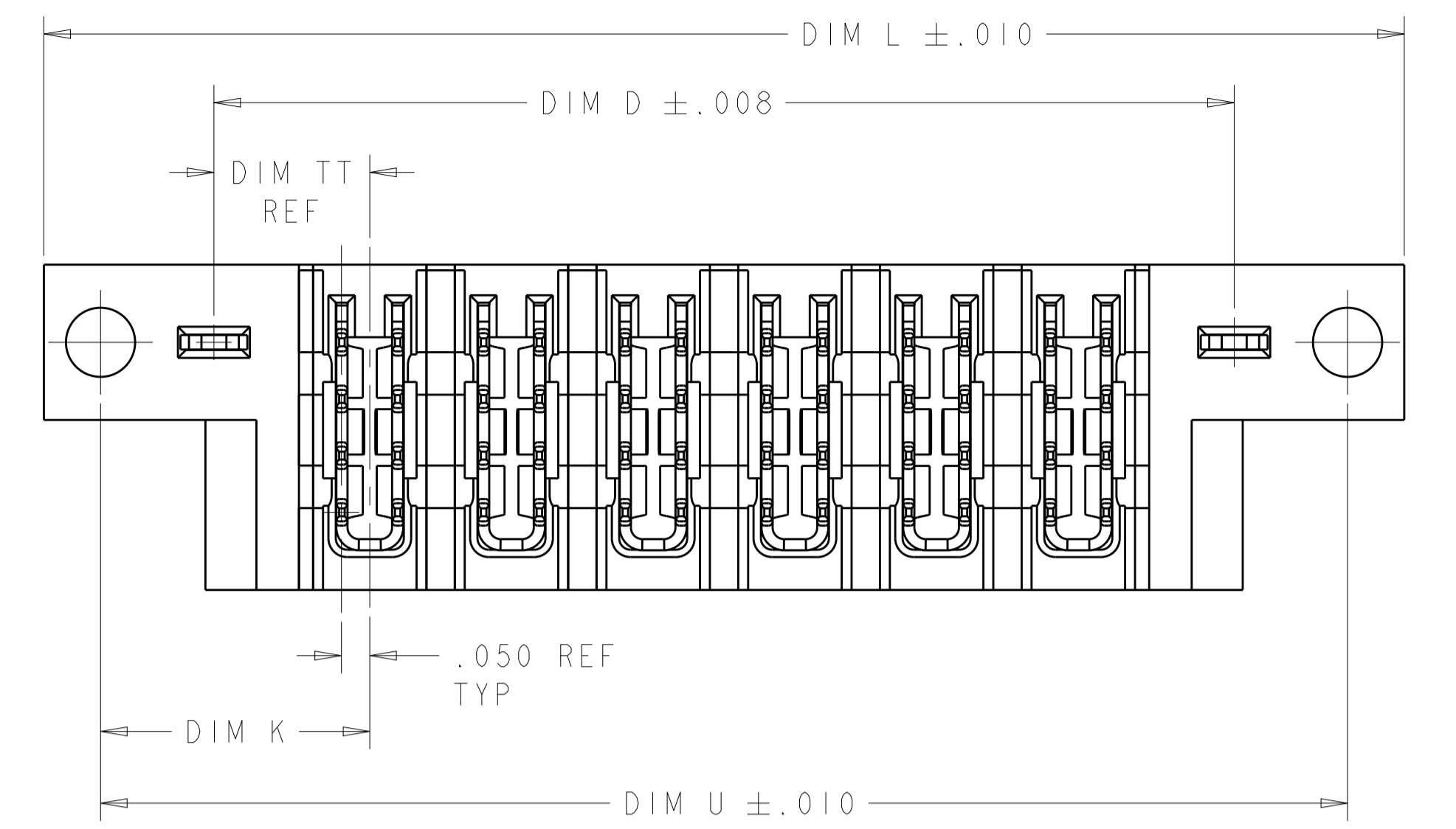


LOC	DIST	REVISIONS			
P	LTN	DESCRIPTION	DATE	DMN	APVD
ES	00				
A6		REV PER ECR-11-019151	08SEP2011	AY	SZ
A7		REV PER ECR-13-012441	30AUG2013	CZ	SZ
A8		REV PER ECR-14-002489	25FEB2014	OL	SZ
A9		ADDED NEW DASH NUMBER 1-2	30MAR2014	CZ	SZ



- ⚠️ HEADER HOUSING: THERMO PLASTIC, BLACK, UL94 V-0; CONTACTS AND RETENTION CLIPS: COPPER ALLOY.
- ⚠️ CONTACT PLATING: NOBLE METAL PLATING ON CONTACT FUNCTIONAL AREA OF POWER AND SIGNAL CONTACTS  
RETENTION CLIP: .000115 MIN TIN.
- ⚠️ "AMP", PART NUMBER AND DATE CODE MARKED IN THIS AREA. PARTS UNDER 2.50 LONG MAY BE MARKED ON BOTH SIDES.
- ⚠️ DATUM AND BASIC DIMENSIONS ESTABLISHED BY CUSTOMER.
- ⚠️ PCB - ALL HOLE DIAMETERS ARE FINISHED HOLE SIZES.
- 6. A SEATING TOOL IS REQUIRED TO SEAT THE HEADER ON THE P.C. BOARD. PLEASE REFER TO THE 114-13038 APPLICATION SPEC.
- ⚠️ CUSTOMER SUPPLIES (2) #4-UNC SCREWS, HARDWARE TO BE USED TO MOUNT HEADER ASSEMBLY TO PC BOARD.
- ⚠️ MECHANICAL CONNECTOR KEEP OUT ZONE.
- ⚠️ DETAIL DIM SEE PART VIEW

THIS DRAWING IS A CONTROLLED DOCUMENT.		DMN D. RINGLER 25MAR06	<b>STE</b> TE Connectivity											
DIMENSIONS: INCHES		CHK M. PERCHERKE 25MAR06												
TOLERANCES UNLESS OTHERWISE SPECIFIED:		APVD M. PERCHERKE 25MAR06	NAME VERTICAL HEADER ASSEMBLY, W/LATCH RECEIVERS, PRESS FIT, TYPE P, MULTI-BEAM XL											
<table border="1"> <tr> <td>0 PLC</td><td>±</td></tr> <tr> <td>1 PLC</td><td>±</td></tr> <tr> <td>2 PLC</td><td>±</td></tr> <tr> <td>3 PLC</td><td>±.005</td></tr> <tr> <td>4 PLC</td><td>±</td></tr> <tr> <td>ANGLES</td><td>±</td></tr> </table>		0 PLC		±	1 PLC	±	2 PLC	±	3 PLC	±.005	4 PLC	±	ANGLES	±
0 PLC	±													
1 PLC	±													
2 PLC	±													
3 PLC	±.005													
4 PLC	±													
ANGLES	±													
MATERIAL		APPLICATION SPEC 114-13038	RESTRICTED TO											
FINISH		WEIGHT	SIZE CAGE CODE DRAWING NO A100779C=6600393											
CUSTOMER DRAWING		SCALE 2:1	SHEET 1 OF 5 REV A9											

THIS DRAWING IS UNPUBLISHED. RELEASED FOR PUBLICATION 20  
 © COPYRIGHT 20 BY - ALL RIGHTS RESERVED.

LOC	DIST	REVISIONS					
ES	00	P	LTN	DESCRIPTION	DATE	DWN	APVD
		-		SEE SHEET 1		-	-

PKG INFO.	DIM "EE"	DIM "DD"	DIM "CC"	DIM "BB"	DIM "TT"	DIM "U"	DIM "S"	DIM "L"	DIM "K"	DIM "D"	RETENTION CLIP	DESCRIPTION	PART NUMBER
TRAY	1.220	.575	.235	1.330	.275	1.700	.250	1.900	.475	1.300	YES	4P	1-6600393-2
/	1.520	.575	.235	1.630	.275	2.000	.350	2.200	.475	1.600	YES	4P	1-6600393-0
TRAY	1.220	$\Delta$	.235	$\Delta$	-	-	.250	$\Delta$	-	-	NO	4P	6600393-9
TRAY	1.470	.575	.235	1.580	.275	1.950	.200	2.150	.475	1.550	YES	6HDP	6600393-8
TRAY	2.070	.625	.285	2.180	.325	2.550	.300	2.750	.525	2.150	YES	6ACP	6600393-7
TAPE&REEL	.870	.625	.285	.980	.325	1.350	.300	1.550	.525	.950	YES	2ACP	6600393-5
TRAY	1.720	.575	.235	1.830	.275	2.200	.250	2.400	.475	1.800	YES	6P	6600393-3
TRAY	.970	.575	.235	1.080	.275	1.450	.250	1.650	.475	1.050	YES	3P	6600393-2
TRAY	.870	.625	.285	.980	.325	1.350	.300	1.550	.525	.950	YES	2ACP	6600393-1

THIS DRAWING IS A CONTROLLED DOCUMENT.

DWN: D. RINGLER 25MAR06  
 CHK: M. PERCHERKE 25MAR06  
 APVD: M. PERCHERKE 25MAR06

DIMENSIONS: INCHES  
 TOLERANCES UNLESS OTHERWISE SPECIFIED:  
 0 PLC ±.  
 1 PLC ±.  
 2 PLC ±.  
 3 PLC ±.005  
 4 PLC ±.  
 ANGLES ±.

MATERIAL: -  
 FINISH: -

PRODUCT SPEC: 108-1973  
 APPLICATION SPEC: 114-13038

WEIGHT: -

SIZE: A1  
 CAGE CODE: 00779  
 DRAWING NO: 6600393

RESTRICTED TO: -

CUSTOMER DRAWING

SCALE: 2:1 SHEET 2 OF 5 REV A9

**TE** TE Connectivity

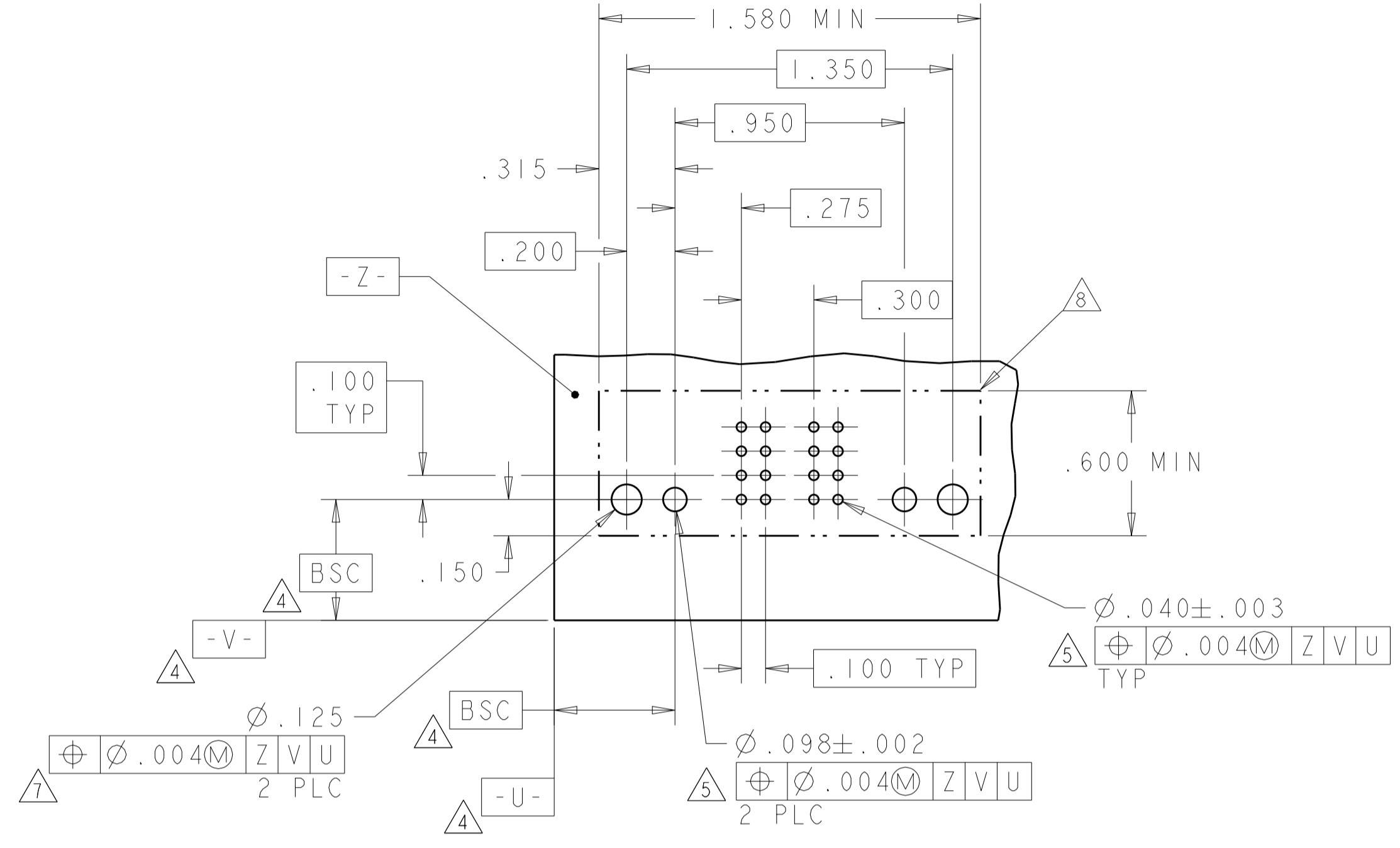
VERICAL HEADER ASSEMBLY, W/LATCH RECEIVERS, PRESS FIT, TYPE P, MULTI-BEAM XL

LOC		DIST		REVISIONS				
P	LTN	DATE	DMN	APVD	DESCRIPTION	DATE	DMN	APVD
-	-	-	-	-	SEE SHEET 1	-	-	-

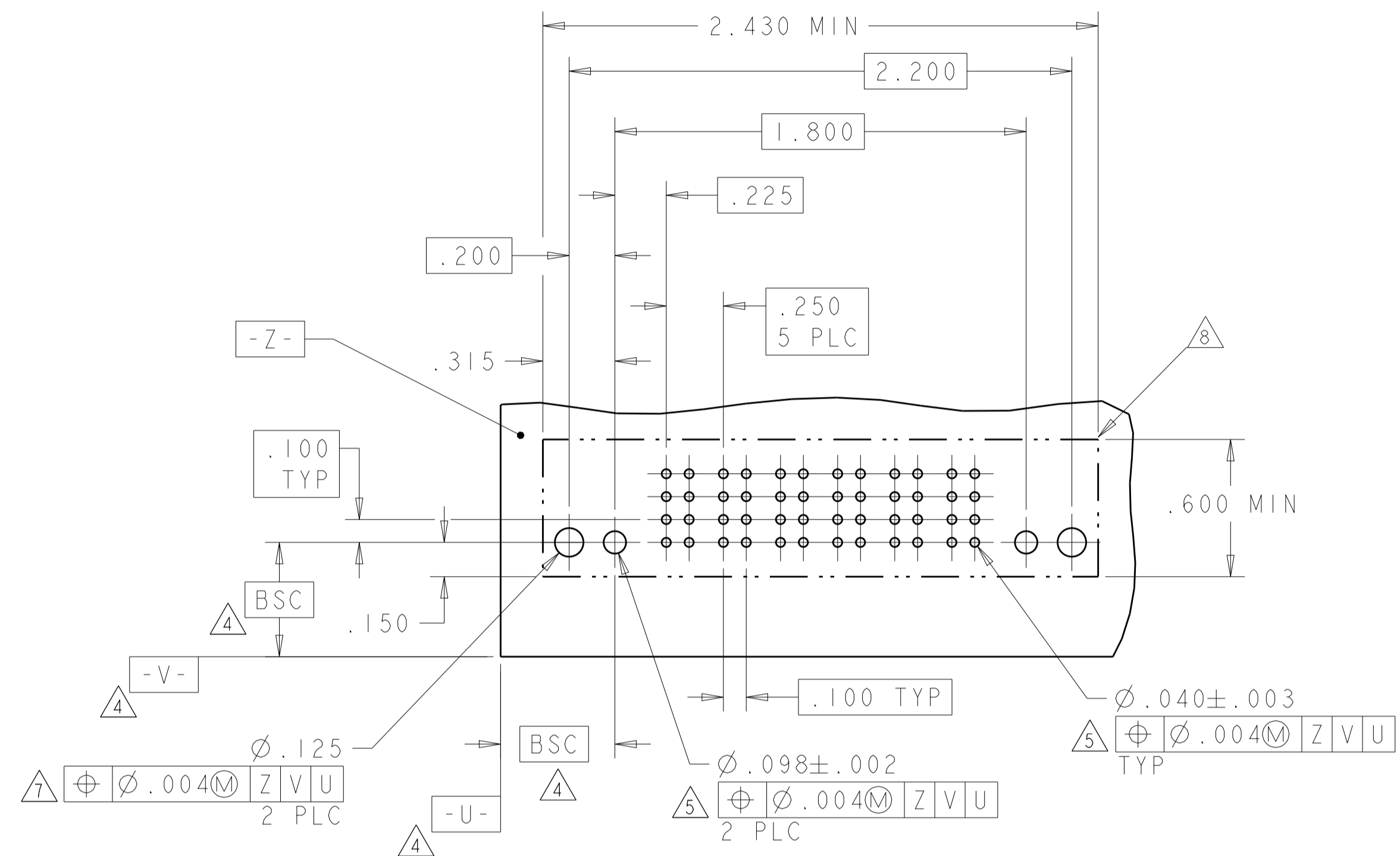
PART NUMBER	ROWS	POWER	
		P1	P2
6600393-1	D	VM	VM
	C		
	B		
	A		
2ACP	HD		HD

PART NUMBER	ROWS	POWER	
		P1	P2
6600393-5	D	VM	VM
	C		
	B		
	A		
2ACP	HD		HD

PART NUMBER	ROWS	POWER					
		P1	P2	P3	P4	P5	P6
6600393-3	D	VM	VM	VM	VM	VM	VM
	C						
	B						
	A						
6P	HD					HD	

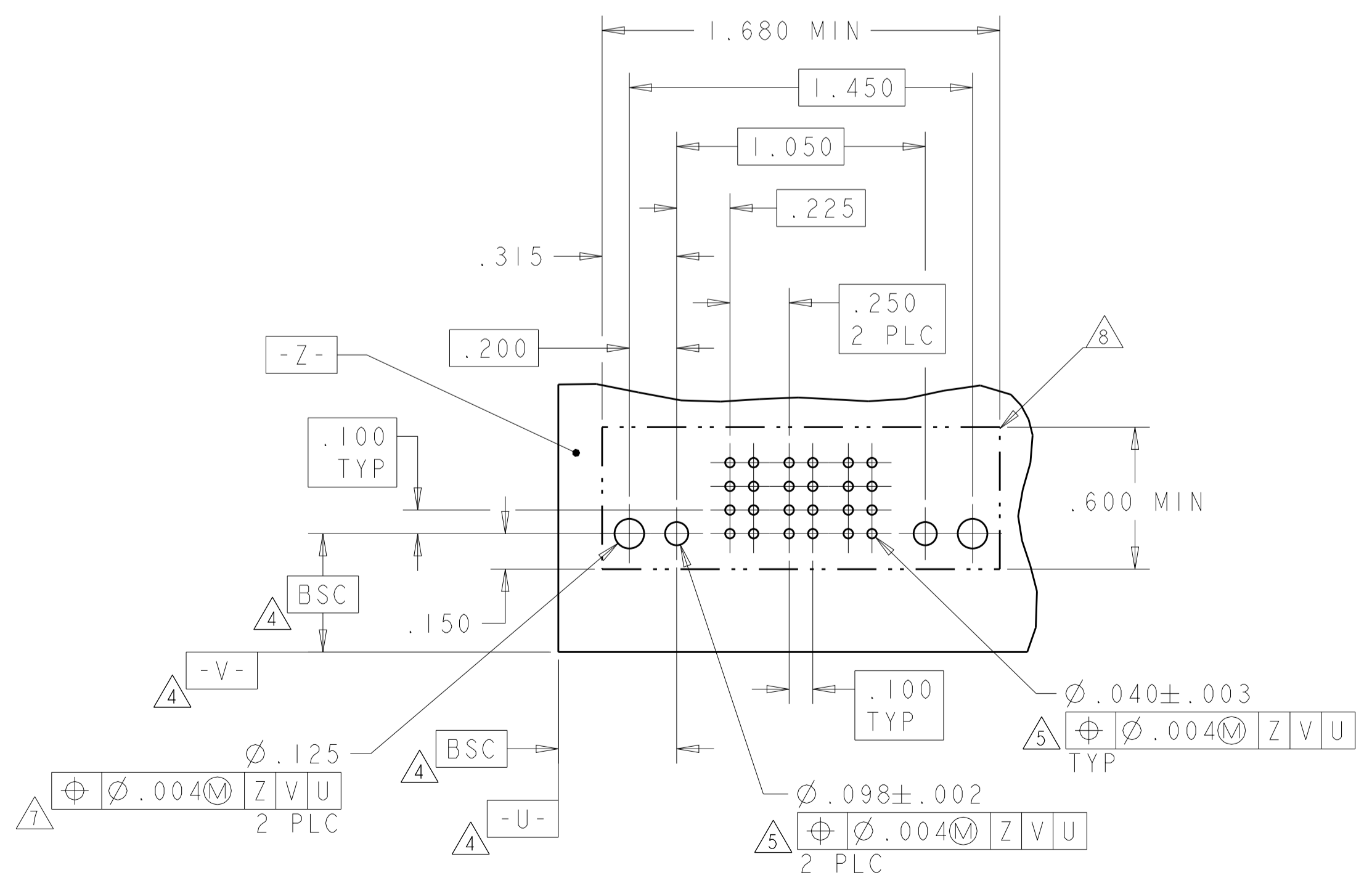


RECOMMENDED PCB LAYOUT 6600393-1/-5  
 SCALE 2:1



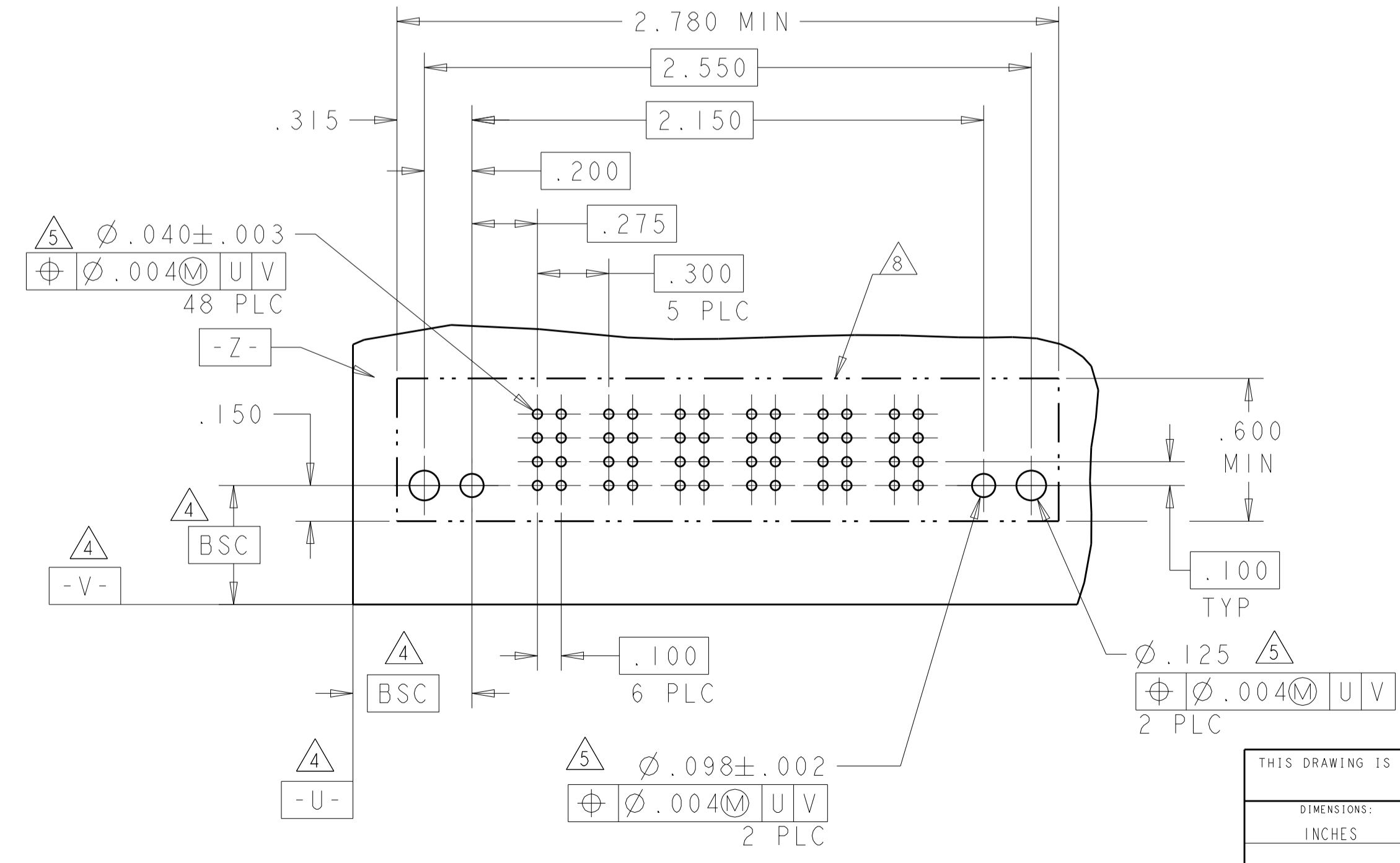
RECOMMENDED PCB LAYOUT 6600393-3  
 SCALE 2:1

PART NUMBER	ROWS	POWER		
		P1	P2	P3
6600393-2	D	VM	VM	VM
	C			
	B			
	A			
3P	HD			HD



RECOMMENDED PCB LAYOUT 6600393-2  
 SCALE 2:1

PART NUMBER	ROWS	POWER					
		P1	P2	P3	P4	P5	P6
6600393-7	D	VM	VM	VM	VM	VM	VM
	C						
	B						
	A						
6ACP	HD					HD	



RECOMMENDED PCB LAYOUT 6600393-7

MATING SEQUENCE	DESCRIPTION	IDENTIFIER
-	RETENTION CLIP	HD
-	POWER CONTACT	VM

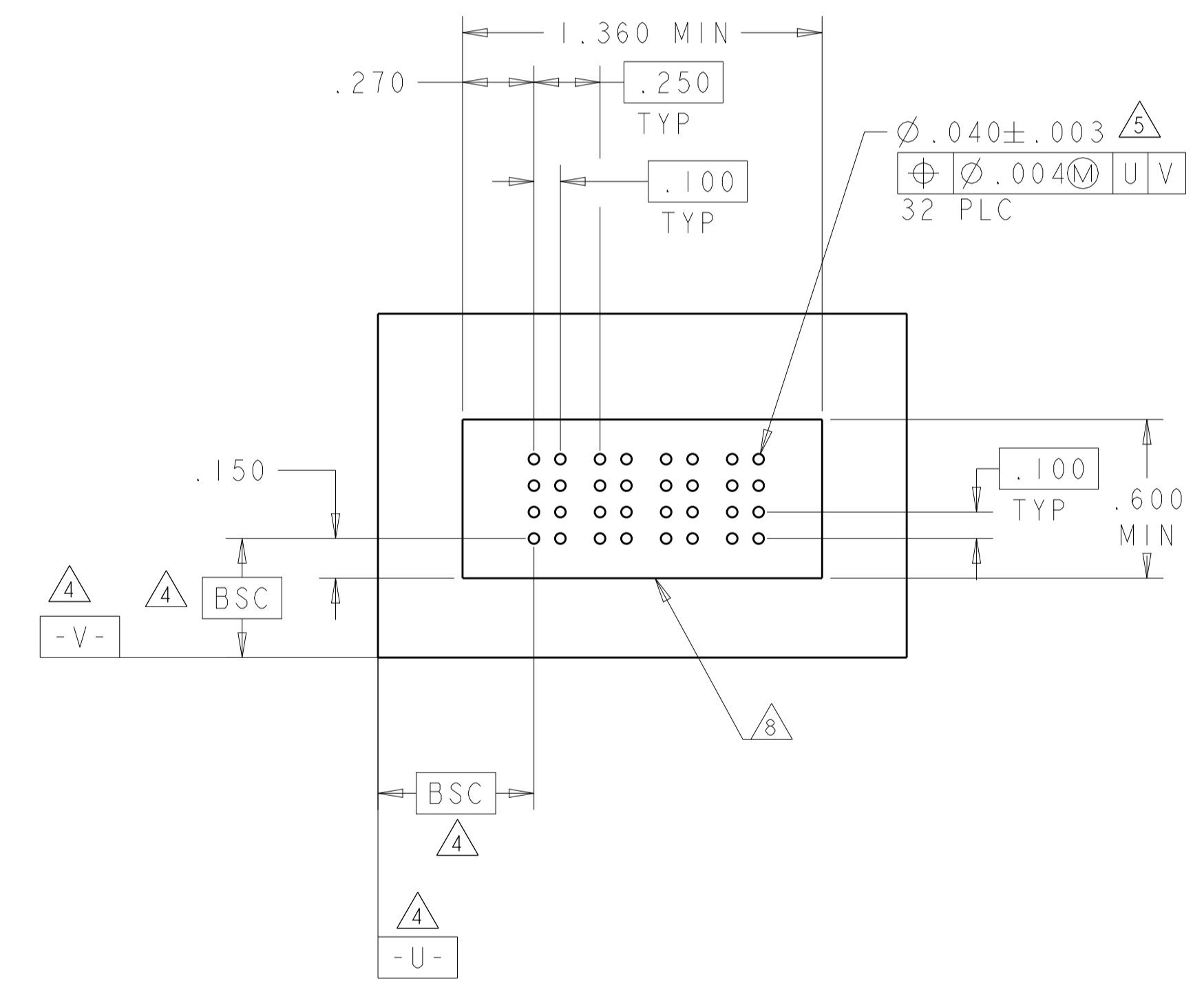
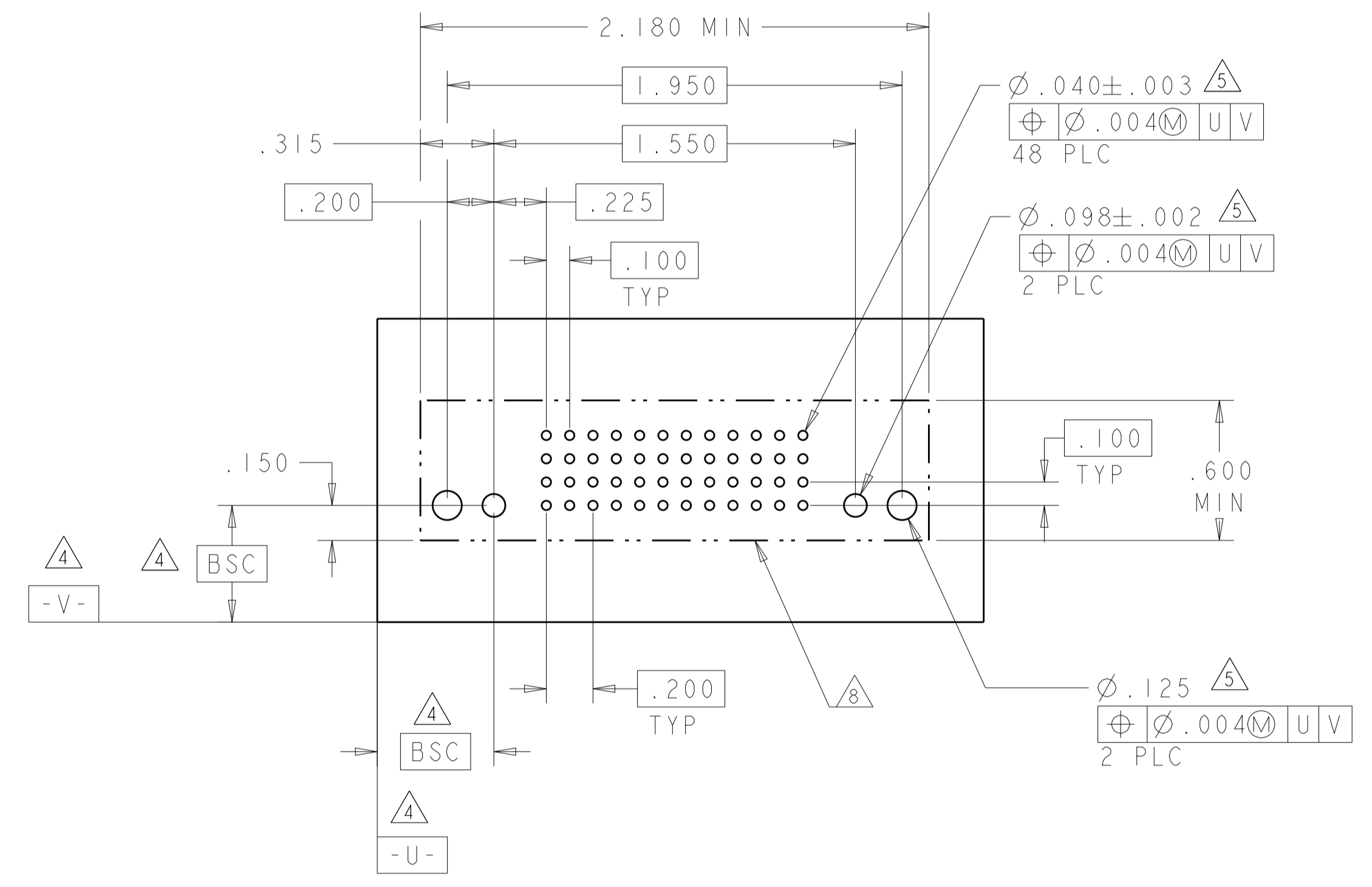
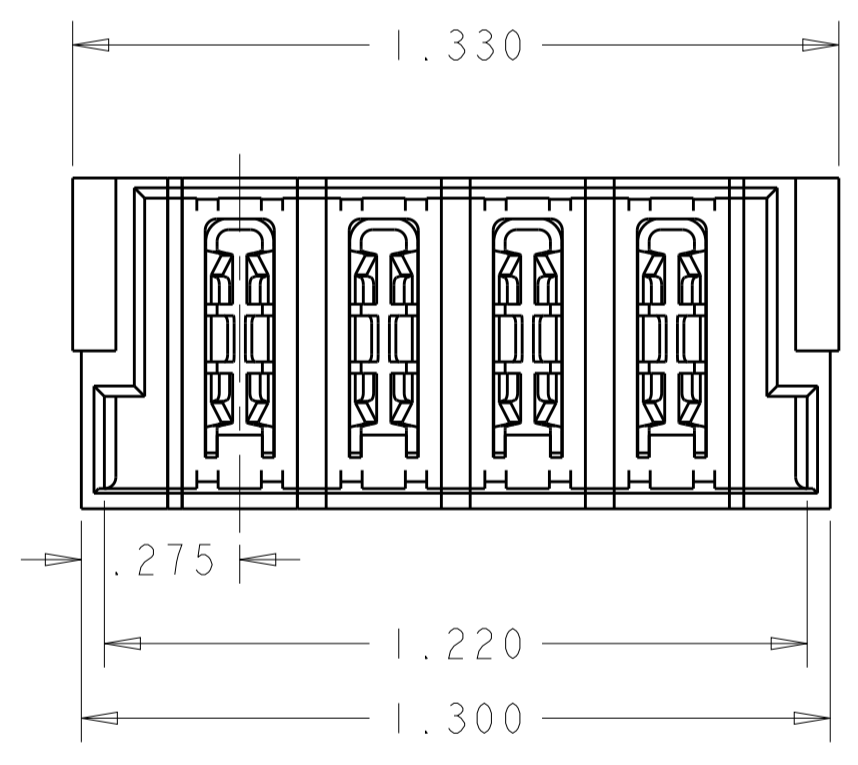
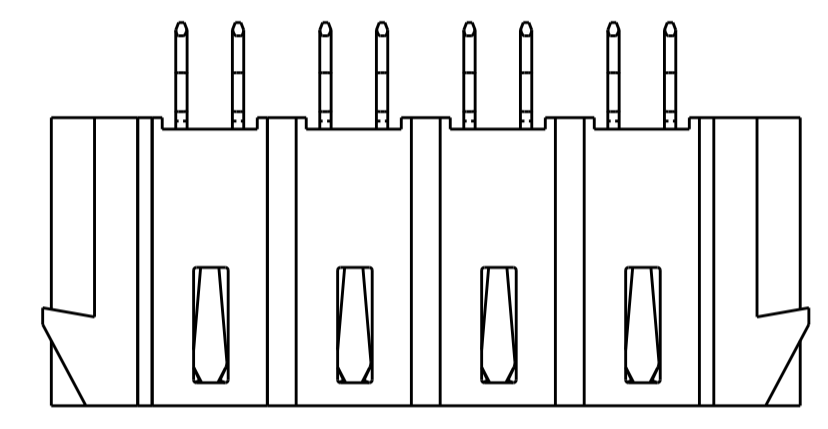
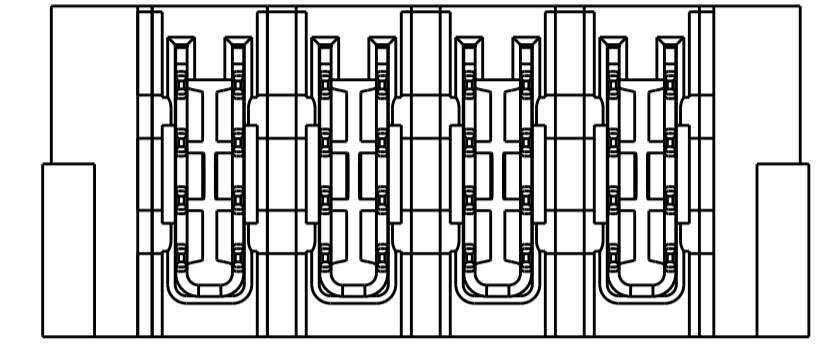
THIS DRAWING IS A CONTROLLED DOCUMENT.

DIMENSIONS:	TOLERANCES UNLESS OTHERWISE SPECIFIED:	DMN: D. RINGLER 25MAR06	NAME: VERICAL HEADER ASSEMBLY, W/LATCH RECEIVERS, PRESS FIT, TYPE P, MULTI-BEAM XL
INCHES	0 PLC ± .010	CHK: M. PERCHERKE 25MAR06	PRODUCT SPEC: 108-1973
	1 PLC ± .005	APVD: M. PERCHERKE 25MAR06	APPLICATION SPEC: 114-13038
	2 PLC ± .005	SIZE: A1	CAGE CODE: 6600393
	3 PLC ± .005	WEIGHT: -	RESTRICTED TO: -
	4 PLC ± .005	CUSTOMER DRAWING	SCALE: 2:1
	5 PLC ± .005		SHEET: 3 OF 5
	ANGLES		REV: A9

LOC	DIST	REVISIONS					
		P	LTN	DESCRIPTION	DATE	DMN	APVD
ES	00	-	-	SEE SHEET 1	-	-	-

PART NUMBER	ROWS	POWER					
		P1	P2	P3	P4	P5	P6
6600393-8	D						
	C	VM	VM	VM	VM	VM	VM
	B						
	A						
6HDP		HD					HD

PART NUMBER	ROWS	POWER			
		P1	P2	P3	P4
6600393-9	D				
	C	VM	VM	VM	VM
	B				
	A				
4P					



THIS DRAWING IS A CONTROLLED DOCUMENT.

DIMENSIONS: INCHES	TOLERANCES UNLESS OTHERWISE SPECIFIED: 0 PLC ± 1 PLC ± 2 PLC ± 3 PLC ±.005 4 PLC ± ANGLES ±	FINISH	FINISH
-----------------------	---	--------	--------

DMN: D. RINGLER 25MAR06	CHK: M. PERCHERKE 25MAR06	APVD: M. PERCHERKE 25MAR06
PRODUCT SPEC: 108-1973	APPLICATION SPEC: 114-13038	WEIGHT: -
SIZE: A1	CAGE CODE: 100779	DRAWING NO: 6600393
CUSTOMER DRAWING		SCALE: 2:1

**STE** TE Connectivity

NAME: VERICAL HEADER ASSEMBLY, W/LATCH RECEIVERS, PRESS FIT, TYPE P, MULTI-BEAM XL

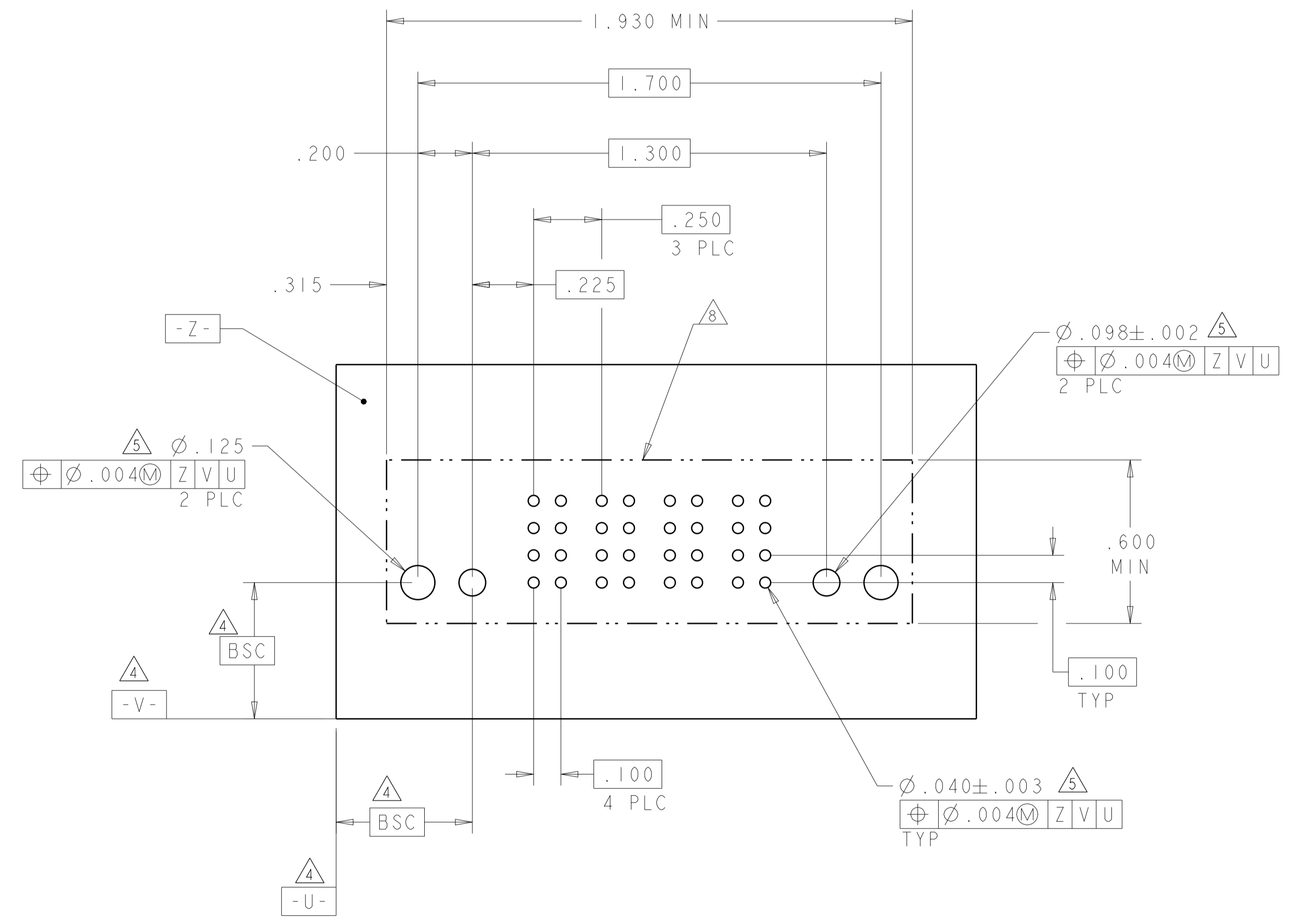
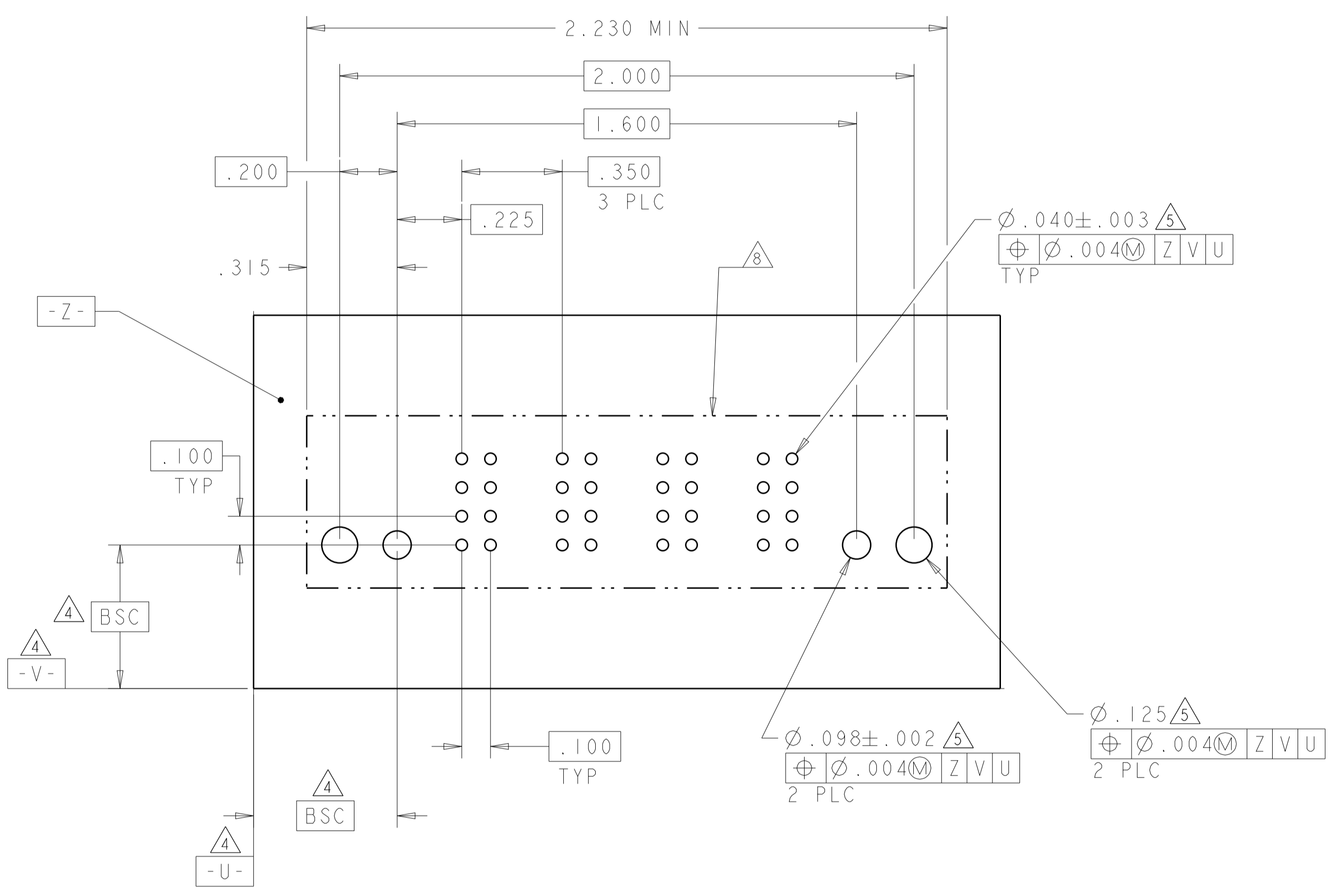
RESTRICTED TO: -

SHEET 4 OF 5 REV A9

LOC	DIST	REVISIONS			
P	LTH	DESCRIPTION	DATE	DMN	APVD
ES	00	SEE SHEET 1			

PART NUMBER	ROWS	POWER			
		P1	P2	P3	P4
1-6600393-0	D				
	C				
	B	VM	VM	VM	VM
	A				
4P		HD			HD

PART NUMBER	ROWS	POWER			
		P1	P2	P3	P4
1-6600393-2	D				
	C				
	B	VM	VM	VM	VM
	A				
4P		HD			HD



THIS DRAWING IS A CONTROLLED DOCUMENT.		DMN D. RINGLER 25MAR06	TE Connectivity
DIMENSIONS: INCHES		CHK M. PERCHERKE 25MAR06	
		APVD M. PERCHERKE 25MAR06	NAME VERTICAL HEADER ASSEMBLY, W/LATCH RECEIVERS, PRESS FIT, TYPE P, MULTI-BEAM XL
TOLERANCES UNLESS OTHERWISE SPECIFIED:		PRODUCT SPEC	SIZE CAGE CODE DRAWING NO
0 PLC ±.005		APPLICATION SPEC	RESTRICTED TO
1 PLC ±.005		114-13038	A100779C=6600393
2 PLC ±.005		WEIGHT	SCALE 2:1 SHEET 5 OF 5 REV A9
3 PLC ±.005		FINISH	CUSTOMER DRAWING
4 PLC ±.005			
ANGLES ±.005			

# Mouser Electronics

Authorized Distributor

Click to View Pricing, Inventory, Delivery & Lifecycle Information:

[TE Connectivity:](#)

[6600393-3](#)