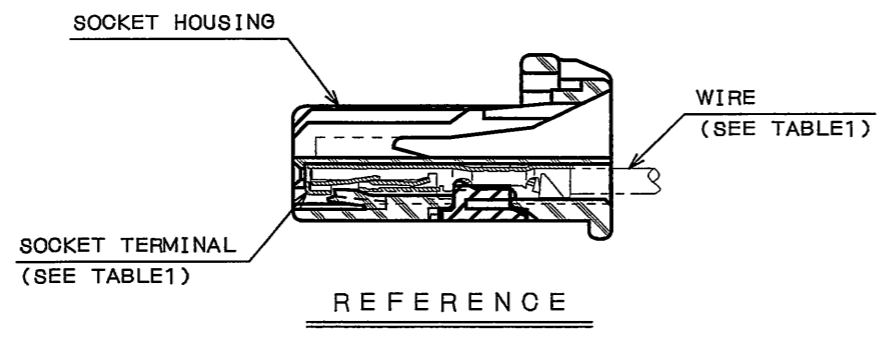
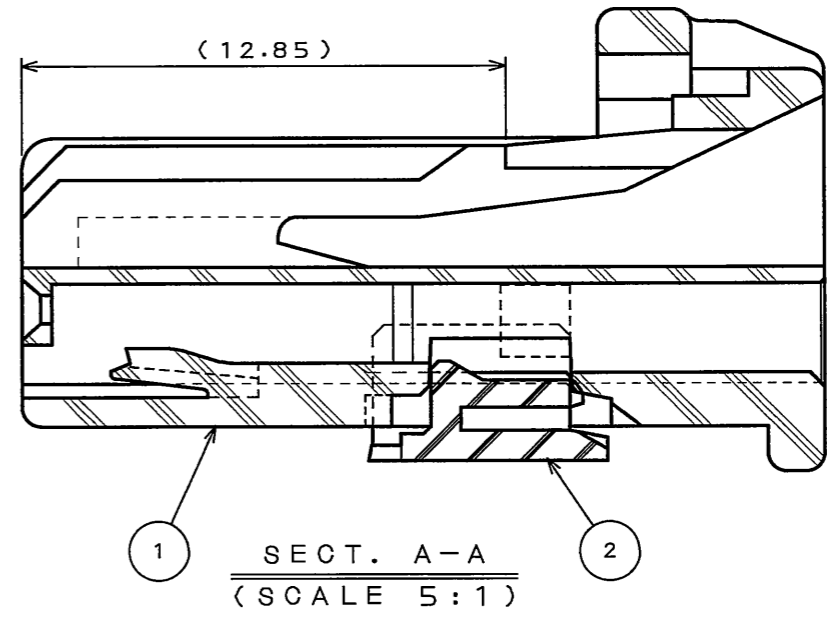
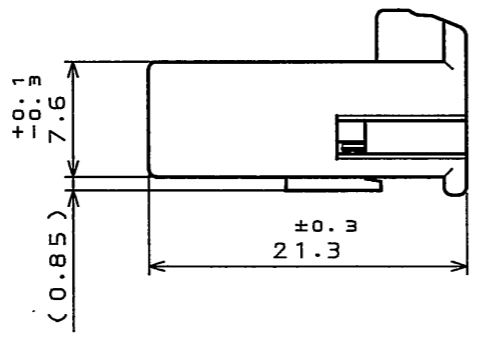
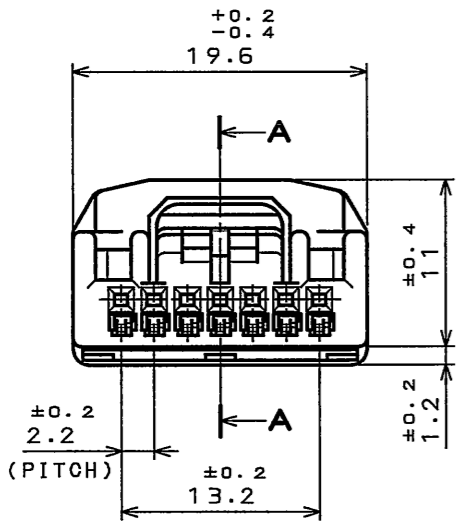
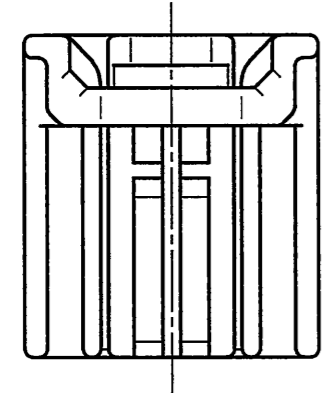


SJ104416  
(DRAWING NO.)

| 版数<br>REV. | 年月日<br>DATE | DCN NO. | 変更内容<br>DESCRIPTION                       | 製図<br>DR. | 担当<br>CHK. | 査閲<br>APPD. | 承認<br>APPD. |
|------------|-------------|---------|---|-----------|------------|-------------|-------------|
| 2          | 30.Sep.2008 | 066411  | CHANGE OF TERMINAL MATERIALS PLATING LIST |           | Y.WATANABE | K.MIYAMOTO  | T.KUME      |
| 3          | 14.Nov.2008 | 066892  | CHANGE OF TERMINAL MATERIALS PLATING LIST |           | Y.WATANABE | K. Miyamoto | T. Kume     |

△△ TABLE1: TERMINAL MATERIALS AND PLATING LIST (端子材料・メッキ設定コード表)

| CODE | PART TITLE | SJ No. | MATERIALS                      | PLATING     | APPLICABLE WIRE  |
|------|------------|--------|--------------------------------|-------------|--|
| S    | M34S7504F1 | 038527 | HIGH CONDUCTIVITY COPPER ALLOY | TIN PLATING | CHFUS 0.22sq. AVSS 0.3sq. CHFUS 0.35sq.<br>ALL CAVITIES CAN BE APPLIED. 全キャビティ対応                         |
| M    | M34S7504F2 | 038528 | 高導電性銅合金                        | スズめっき       | CHFUS 0.5sq. AVSS 0.5sq. CAVS 0.5sq. CHFS 0.75sq. CHFUS 0.75sq.<br>ALL CAVITIES CAN BE APPLIED. 全キャビティ対応 |
| C    | M34S7504F3 | 038747 |                                |             | CAN SD 0.35sq.<br>TWO BOTH ENDS CAVITIES CAN BE APPLIED.<br>両端2箇所のキャビティ対応                                |
| L    | M34S7504F4 | 038893 |                                |             | AVSS 0.85sq. CAVS 0.85sq.<br>TWO BOTH ENDS CAVITIES CAN BE APPLIED.<br>両端2箇所のキャビティ対応                     |
| X    | M34S7504F5 | 109336 |                                |             | CHFUS 0.13sq.<br>ALL CAVITIES CAN BE APPLIED. 全キャビティ対応   |



|   |                   |                                   |                  |   |                       |
|---|-------------------|-----------------------------------|------------------|---|-----------------------|
| 2   | RETAINER          | 1                                 | PPE+PA66 (ALLOY) |   | COLOR: BLACK          |
| 1   | HOUSING           | 1                                 | PPE+PA66 (ALLOY) |   | COLOR: GRAY           |
| 符号<br>NO.                                     | 名称<br>DESCRIPTION | 個数<br>QTY.                        | 材料<br>MATERIAL   | 仕上<br>FINISH  | 備考<br>REMARKS         |
| 仕様書 (SPECIFICATION)<br>JACS-1754<br>JABL-1754 |                   | 第1版 (ORIGINAL DATE)<br>4.JUL.2005 |                  | 尺度 (SCALE)<br>2:1   | シリーズ (SERIES)<br>MX34 |
| 公差 (GENERAL TOLERANCE)                        |                   | 製図<br>DR.                         |                  | 名称 (TITLE)<br>MX34007SF1                                  |                       |
| 寸法 (DIMENSION) 角度 (ANGLES)                    |                   | 担当<br>CHK. S.HARA                 |                  | SOCKET HOUSING  |                       |
| . ±0.8 X° ±                                   |                   | 査閲<br>APPD.                       |                  | 質量 (MASS)<br>2.1g   |                       |
| .X ±0.4 X°X ±                                 |                   | 承認<br>APPD. T.ISHIWA              |                  | 日本航空電子工業株式会社<br>JAPAN AVIATION ELECTRONICS INDUSTRY, LTD. |                       |
| .XX ±0.1                                      |                   |                                   |                  | 図面番号 (DRAWING NO.)<br>SJ104416                            |                       |
| .XXX ±  |                   |                                   |                  | 版数 (REV.)<br>3  |                       |

DOF-0-212F(05.08)



# Mouser Electronics

Authorized Distributor

Click to View Pricing, Inventory, Delivery & Lifecycle Information:

[JAE Electronics:](#)

[MX34007SF1](#)