

THIS COPY IS PROVIDED ON A RESTRICTED BASIS AND IS NOT TO BE USED IN ANY WAY DETRIMENTAL TO THE INTERESTS OF PANDUIT CORP.

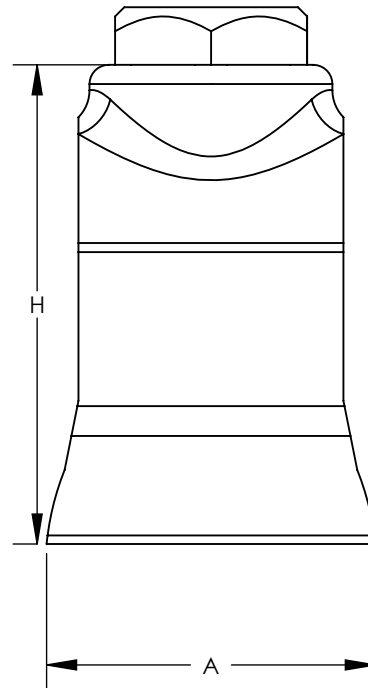
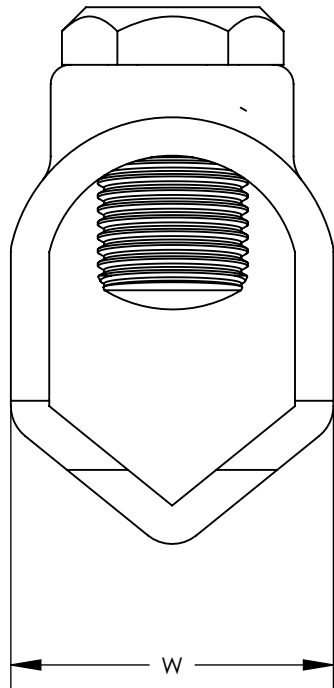
NOTES:

1. MATERIAL:  
BODY - CASTED BRONZE  
SCREW - STAINLESS STEEL
2. DIRECT BURIAL
3. LISTED PER UL 467, CSA CERTIFIED
4. DIMENSIONS IN PARENTHESIS ARE MILLIMETERS.



CERTIFIED

PANUIT PART NUMBER	GROUND ROD SIZE	WIRE RANGE COPPER	INSTALLATION TOOL	DIMENSIONS - IN [mm]		
				W	H	A
WB12-L	1/2 INCH	2-10 AWG STR 10 AWG SOL	1/2 INCH HEX WRENCH	0.84 [21.3]	1.28 [32.5]	0.88 [22.4]
WB34-X	5/8 INCH 3/4 INCH	1/0 - 8 AWG STR 2 - 8 AWG STR	1/2 INCH HEX WRENCH	1.06 [26.9]	1.54 [39.1]	1.03 [26.2]
WB58-Q	5/8 INCH	1/0 - 8 AWG STR	1/2 INCH HEX WRENCH	0.92 [23.4]	1.40 [35.6]	1.04 [26.4]



02	10/11	JHNU	JHNU	REVISED NOTE 1: SCREW MATERIAL WAS SILICON BRONZE	N41399BB-C41399	RGB	RGB				
01	2/08	JHNU	JHNU	REVISED NOTES CONVERTED DRAWING TO SOLIDWORKS							
00	12/03	SRB		RELEASED							
<b>REV</b>	<b>DATE</b>	<b>BY</b>	<b>CHK</b>	<b>DESCRIPTION</b>	<b>ECN</b>	<b>-R</b>	<b>SUP</b>	<b>SCALE</b>	<b>GROUND ROD CLAMP - WB SERIES (WB12-L, WB34-X, WB58-Q) CUSTOMER DRAWING</b>	<b>DRAWING NO / CAD FILE</b>	C41399_02