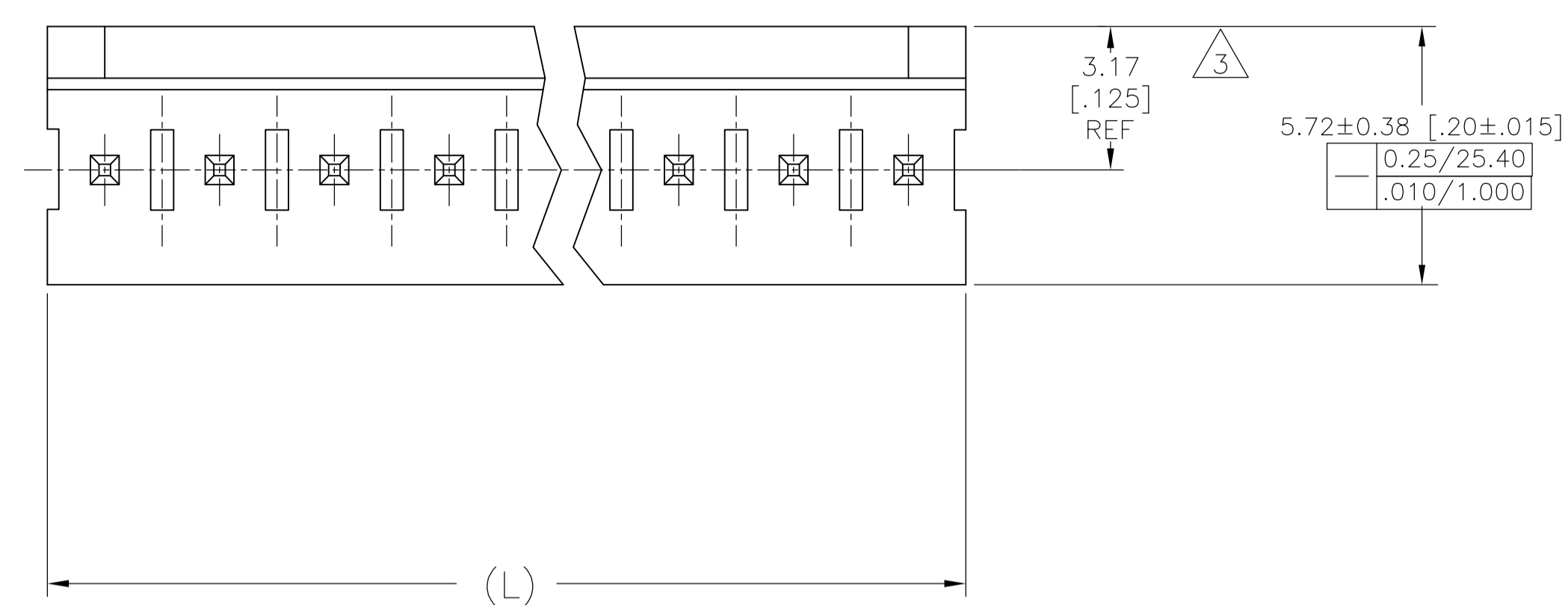
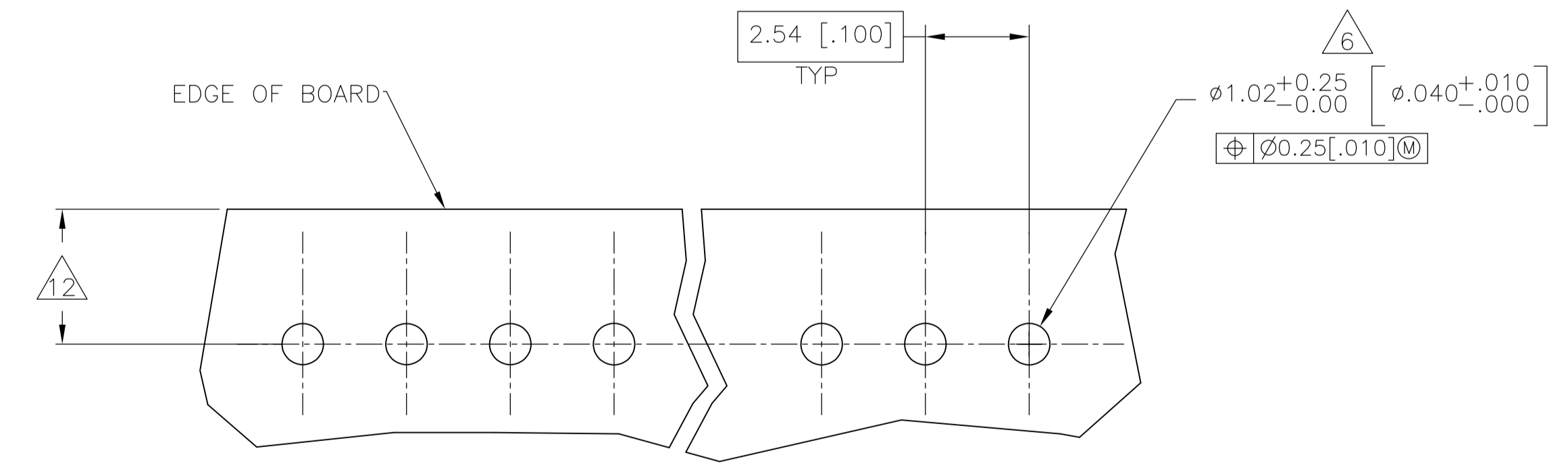
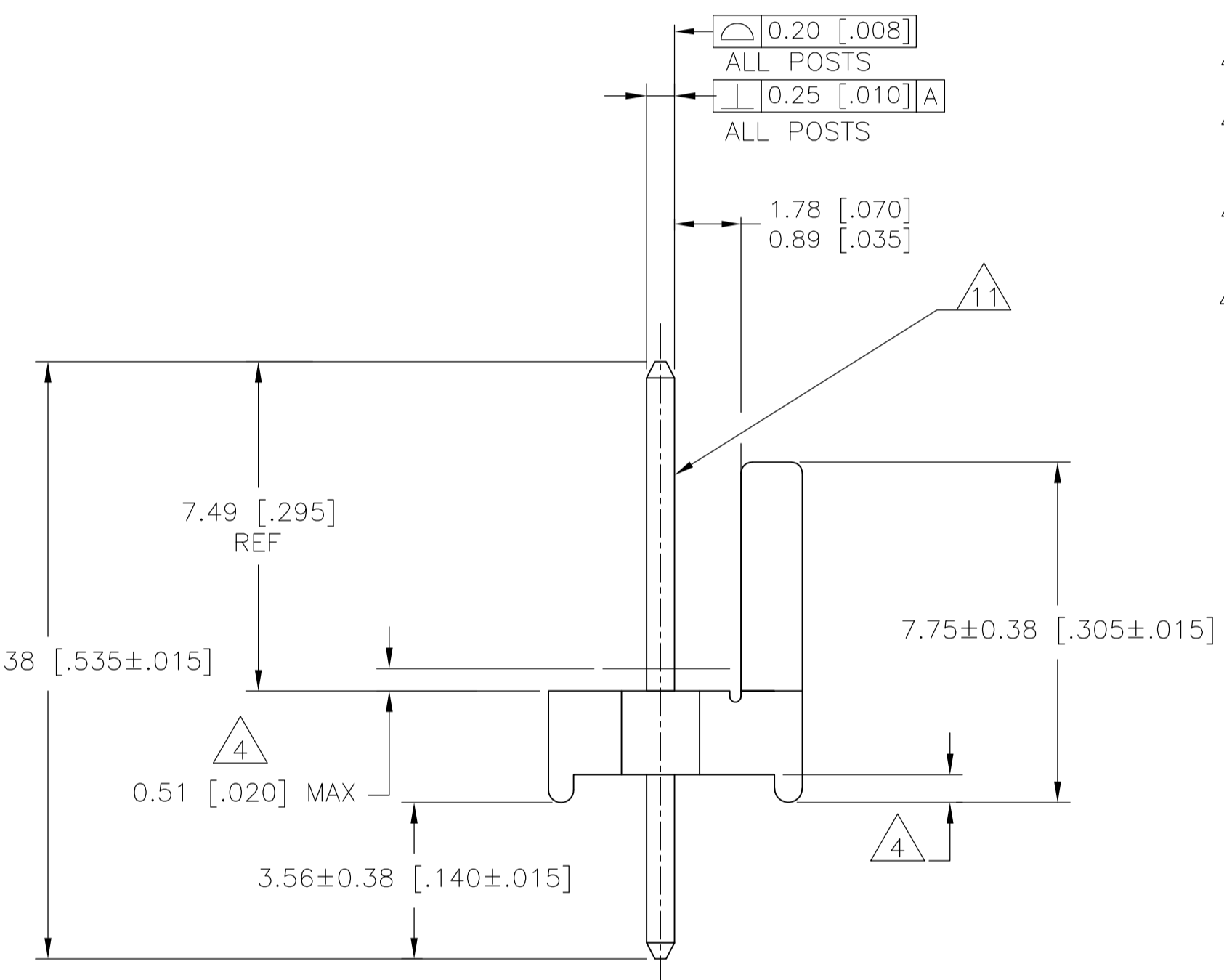
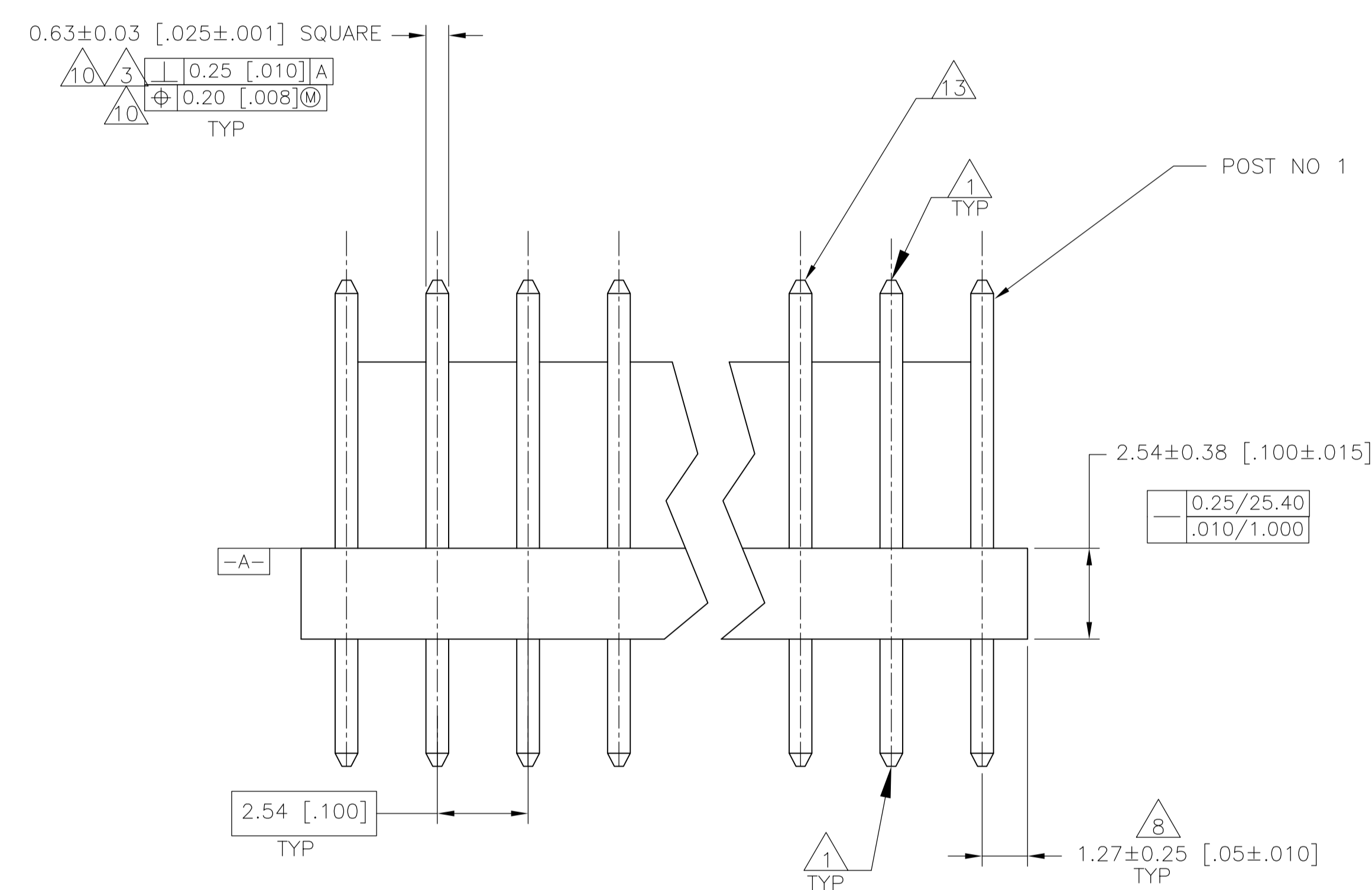


| REVISIONS | | | | |
|-----------|-------------|---------------|-----------|----|
| P | LTR | DESCRIPTION | DATE | BY |
| Y3 | REVISED PER | ECR-15-014064 | 03MAR2016 | NK |



- 1 POST TO WITHSTAND 13 NEWTONS [3 LBS.] MIN. AXIAL FORCE IN BOTH DIRECTIONS SHOWN WITHOUT DISLODGING.
- 2 TOLERANCES APPLY TO SOLDER SIDE OF BOARD.
- 3 MEASURED AT SURFACE -A-
- 4 PLASTIC FLASH PERMITTED IN THIS AREA.
- 5 PARTS COMPLY WITH SOLDERABILITY SPEC. 109-11-2.
- 6 ONE HOLE MAY BE UNDERSIZED 0.81-0.89 [.032-.035] DIA. FOR ASSEMBLY RETENTION DURING WAVE SOLDERING.
- 7 MATERIAL: HEADER-THERMOPLASTIC POLYESTER UL94V-0 (NATURAL) POST-COPPER ALLOY (TIN-PLATED)
- 8 COORDINATE DIMENSION APPLIES FROM CENTER OF ACTUAL FEATURE.
- 9 PLASTIC BURRS CAUSED BY CUT-OFF TOOLING ARE PERMITTED WITHIN THE MAXIMUM TOLERANCE ENVELOPE.
- 10 POSTS TO BE MEASURED WHEN STRIP IS HELD FLAT.
- 11 POSTS MUST WITHSTAND TWO 90° BENDS AGAINST EXTRUSION WITHOUT BREAKING.
- 12 DIMENSION SHOULD BE 3.30 [.130] WHEN MATING WITH A MTA-100 CONNECTOR ASSEMBLY OR A CST-100 CONNECTOR.
- 13 PIN BURR OF 0.13 [.005] MAX. VERTICAL AND 0.08 [.003] MAX. HORIZONTAL PERMITTED AT POST TIPS ON BOTH ENDS.



RECOMMENDED MOUNTING HOLE PATTERN FOR 1.60 [.063] THICK P.C. BOARD 2

| | | | |
|-------|-------|-----------------|-------------|
| 71.12 | 2.800 | 28 | 2-640454-8 |
| 68.58 | 2.700 | 27 | 2-640454-7 |
| 66.04 | 2.600 | 26 | 2-640454-6 |
| 63.50 | 2.500 | 25 | 2-640454-5 |
| 60.96 | 2.400 | 24 | 2-640454-4 |
| 58.42 | 2.300 | 23 | 2-640454-3 |
| 55.88 | 2.200 | 22 | 2-640454-2 |
| 53.34 | 2.100 | 21 | 2-640454-1 |
| 50.80 | 2.000 | 20 | 2-640454-0 |
| 48.26 | 1.900 | 19 | 1-640454-9 |
| 45.72 | 1.800 | 18 | 1-640454-8 |
| 43.18 | 1.700 | 17 | 1-640454-7 |
| 40.64 | 1.600 | 16 | 1-640454-6 |
| 38.10 | 1.500 | 15 | 1-640454-5 |
| 35.56 | 1.400 | 14 | 1-640454-4 |
| 33.02 | 1.300 | 13 | 1-640454-3 |
| 30.48 | 1.200 | 12 | 1-640454-2 |
| 27.94 | 1.100 | 11 | 1-640454-1 |
| 25.40 | 1.000 | 10 | 1-640454-0 |
| 22.86 | .900 | 9 | 640454-9 |
| 20.32 | .800 | 8 | 640454-8 |
| 17.78 | .700 | 7 | 640454-7 |
| 15.24 | .600 | 6 | 640454-6 |
| 12.70 | .500 | 5 | 640454-5 |
| 10.16 | .400 | 4 | 640454-4 |
| 7.62 | .300 | 3 | 640454-3 |
| 5.08 | .200 | 2 | 640454-2 |
| MM | [IN] | NO OF POSITIONS | PART NUMBER |
| L | | | |

THIS DRAWING IS A CONTROLLED DOCUMENT.

| | | | | | | | |
|-------------------------|--|---------|---------|---------|---------------------|---------|----------------|
| DIMENSIONS: mm [INCHES] | TOLERANCES UNLESS OTHERWISE SPECIFIED: | 0 PLC ± | 1 PLC ± | 2 PLC ± | 3 PLC ± 0.13 [.005] | 4 PLC ± | ANGLES ± 0°30' |
|-------------------------|--|---------|---------|---------|---------------------|---------|----------------|

MATERIAL 7 FINISH 8

| | | |
|-----------------------|-----------------------|---|
| APPROVED BY: S. HAMM | DATE: 09-NOV-2001 | TE Connectivity |
| CHK: D. ROSSI | DATE: 09-NOV-2001 | |
| APPROVED BY: D. ROSSI | DATE: 09-NOV-2001 | NAME: MTA-100 HDR ASSY, POLARIZED, NOTCHED, .025 SQUARE STRAIGHT POST, TIN PLATED |
| PRODUCT SPEC: --- | APPLICATION SPEC: --- | SIZE: A1 |
| WEIGHT: --- | CAGE CODE: --- | DRAWING NO: 00779 |
| CUSTOMER DRAWING | SCALE: 8:1 | SHEET 1 OF 1 |

REV Y3

Mouser Electronics

Authorized Distributor

Click to View Pricing, Inventory, Delivery & Lifecycle Information:

[TE Connectivity:](#)

[640454-6](#)