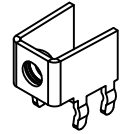
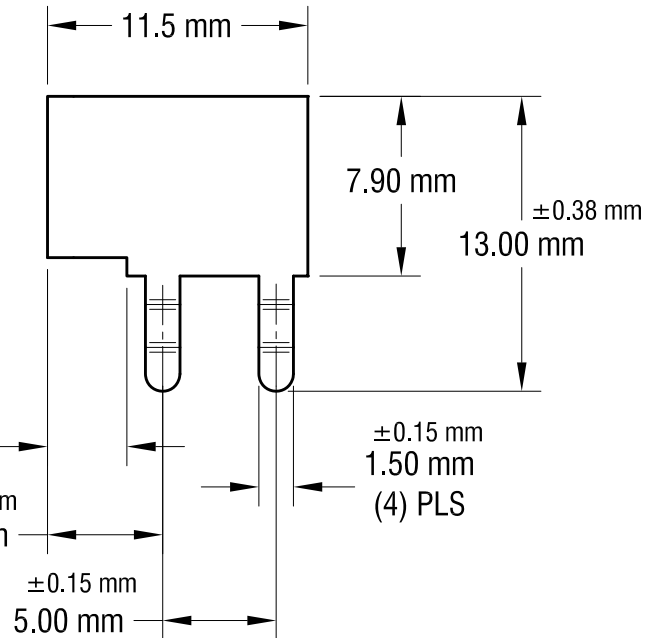
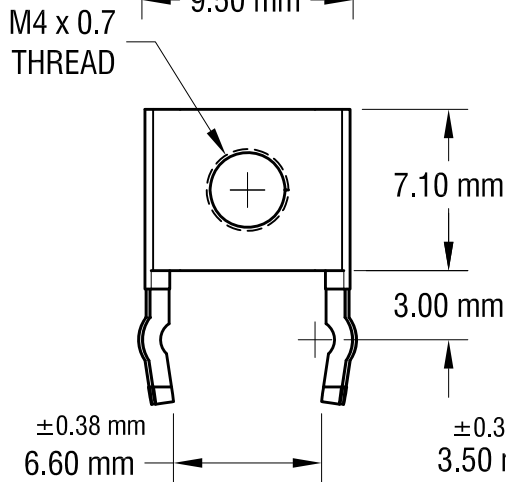
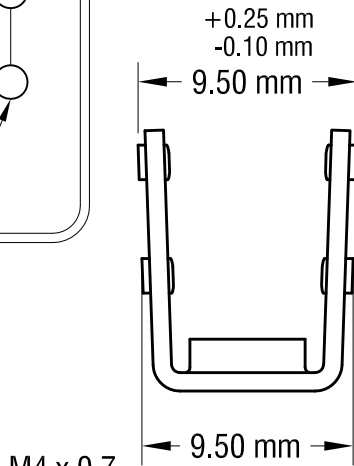
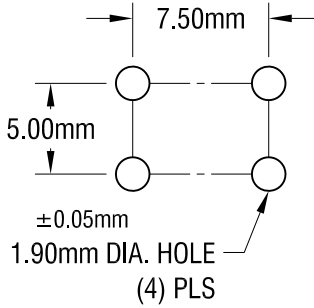


THIS DOCUMENT IS THE PROPERTY OF KEYSTONE ELECTRONICS CORP. AND SHALL NOT BE REPRODUCED, DISTRIBUTED OR USED AS A BASIS FOR MANUFACTURE WITHOUT PRIOR WRITTEN PERMISSION FROM KEYSTONE ELECTRONICS CORP.

**ACTUAL SIZE**



**MOUNTING DETAIL**



**NOTE:**

1. ALL DIMENSION ARE IN MILLIMETERS.

1.14.16	CHANGE AS PER ECN 16-005	C
12.07.09	CHANGE AS PER ECN 09-178	B
8.21.08	CHANGE AS PER ECN 08-139	A
DATE	DESCRIPTION	REV.

<b>KEYSTONE ELECTRONICS CORP.</b>			
www.keyelco.com • ASTORIA, N.Y. 11105-2017 • Tel (718) 956-8900			
PART NAME		PC METRIC SCREW TERMINAL	
MATERIAL		0.8 mm TH'K BRASS	
FINISH	MATTE TIN PLATE	DRN BY	NT
		DATE	7.01.08
		APP'D	LN
		SCALE	3X
TOLERANCES	INCH [MM]	CODE	DWG NO.
DECIMAL	± [± 0.25]	C	<b>7792</b>
ANGULAR	± 1°		
UNLESS OTHERWISE SPECIFIED			

# Mouser Electronics

Authorized Distributor

Click to View Pricing, Inventory, Delivery & Lifecycle Information:

[Keystone Electronics:](#)

[7792](#)