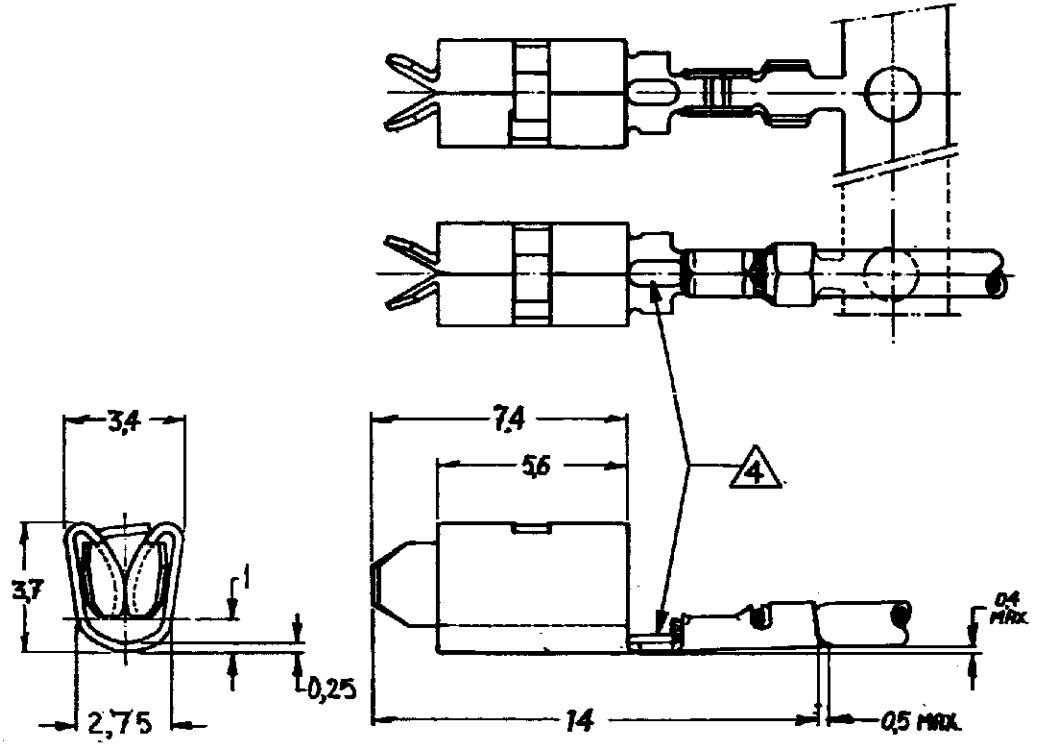


NUMBER C-160760-E SHT. 1 OF 2

DRAWING MADE IN AMERICAN PROJECTION

REVISIONS				
LTR	DESCRIPTION	DATE	DWN	APVD
E1	REVISED PER ECO-09-022178	25SEP09	KK	AEG



NOTE :

- ① FOR USE ON STANDARD APPLICATORS (RIGHT TO LEFT FEED).
- ② FOR USE ON MINIATURE APPLICATORS (LEFT TO RIGHT FEED).
- ③ FOR USE ON AMPOMATOR MACHINES AND MINIATURE APPLICATORS (LEFT TO RIGHT FEED)
- ④ 160760-5 WITHOUT DIMPLE.
- ⑤ OBSOLETE PARTS: OBSOLETE CIS STREAMLINING PER D.RENAUD/D.SINISI

ORDER NO.	MATERIAL	PLATING
160760-5	PH. BRONZE	PRE-TIN
160760-4	PHOS. BRONZE	PRE-TIN
160760-3	PHOS. BRONZE	PRE-TIN
160760-2	BRASS	PRE-TIN
160760-1	BRASS	PRE-TIN

**CUSTOMER COPY FOR REFERENCE ONLY**

©1976 BY AMP-HOLLAND N.V. ALL RIGHTS RESERVED A-MP PRODUCTS COVERED BY PATENTS AND/OR PATENTS PENDING.

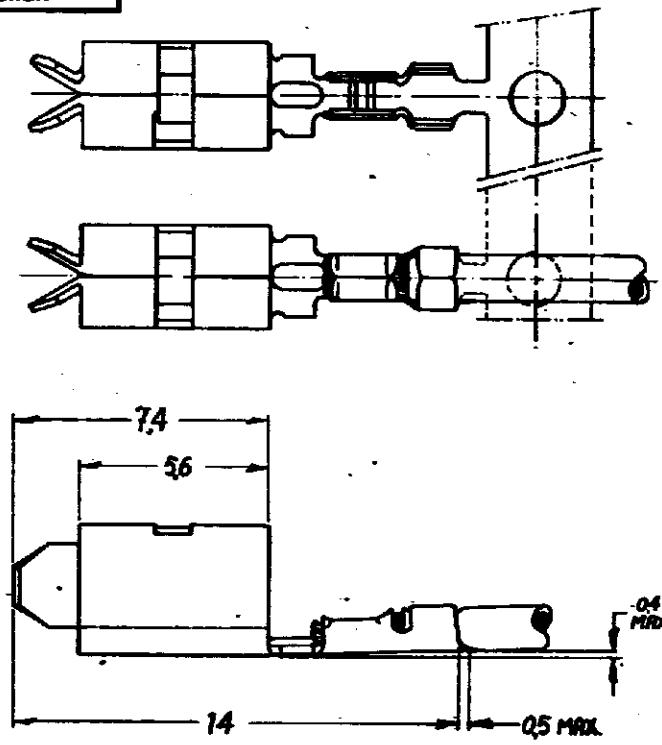
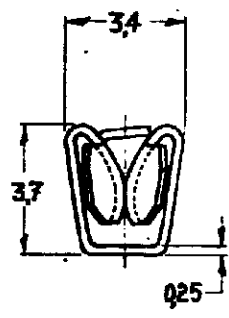
**AMP**  
AMP-HOLLAND N.V.  
HERTOEGHOSCH  
HOLLAND

WIRE RANGE 005-015 mm <sup>2</sup>	INSUL. RANGE 08-13 DIA.	FIRST USED
SCALE 6:1	LOC H	SIZE A
NO C-160760-E		SHT. 1 OF 2
NAME .110 TAB RECEPTACLE		

DATE 18.6.75	DE KK	DATE 25/09/09
DATE 21.6.75	APP [Signature]	DATE 21.6.75

NUMBER C-160760-E SHT. 2 OF 2

DRAWING MADE IN AMERICAN PROJECTION



NOTE :

- 1 FOR USE ON STANDARD APPLICATORS (RIGHT TO LEFT FEED).
- 2 FOR USE ON MINIATURE APPLICATORS (LEFT TO RIGHT FEED).
- 3 OBSOLETE PARTS: OBSOLETE CIS STREAMLINING PER D.RENAUD/D.SINISI

DIMENSIONS IN MM DO NOT SCALE PRINT

**CUSTOMER COPY FOR REFERENCE ONLY**

©1978 BY AMP-HOLLAND N.V. ALL RIGHTS RESERVED. A.M.P. PRODUCTS COVERED BY PATENTS AND/OR PATENTS PENDING.



1-160760-3	PHOS.BRONZE	PRE-TIN
1-160760-2	BRASS	PRE-TIN
1-160760-1	BRASS	PRE-TIN
ORDER NO.	MATERIAL	PLATING
DR. S. J. ...	DATE DE	DATE
C.A. STERKEN	18.4.1978	
APP.	DATE	DATE
	19.4.78	20.4.78

WIRE RANGE	INSUL. RANGE	FIRST USED
005-075 mm <sup>2</sup>	08-13 DIA.	
SCALE	LOC	SIZE
6:1	H	A

NO C-160760-E SHT. 2 OF 2 REV E1

NAME .110 TAB RECEPTACLE

# Mouser Electronics

Authorized Distributor

Click to View Pricing, Inventory, Delivery & Lifecycle Information:

[TE Connectivity:](#)

[1-160760-2](#)