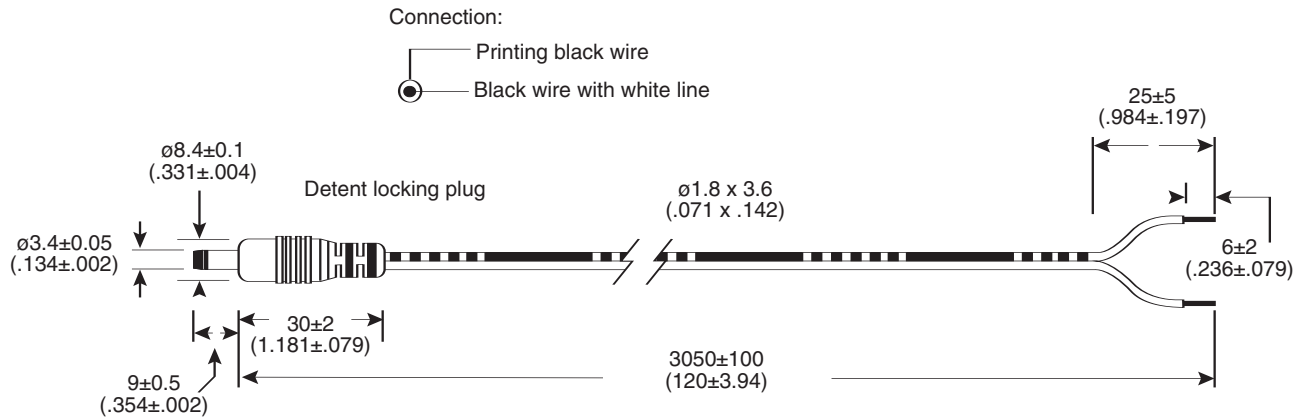


# DC Power Cord

172-4206



DC Power Cord



DIMENSIONS: mm (In.)

SPECIFICATIONS	
1.3 x 3.4 x 9:	DC plug to stripped and tinned.
24AWG x 2F:	With black PVC jacket
	Center to black wire with white line
	Sleeve to printing black wire
Temperature:	60°C
Voltage rating:	300V DC
Resistance:	0.15Ω per meter

Date Last Revised: 3-11-05

Available from Mouser Electronics  
 1-800-346-6873  
 www.mouser.com

KC-300322

172-4206

# Mouser Electronics

Authorized Distributor

Click to View Pricing, Inventory, Delivery & Lifecycle Information:

[Kobiconn:](#)

[172-4206](#)