

**TECHNICAL CHARACTERISTICS**

**MATERIAL**  
 INSULATOR: PA 6T  
 FLAMABILITY RATING: UL94-V0  
 COLOUR: IVORY  
 ACTUATOR: PA 6T  
 COLOUR: BLACK  
 CONTACT MATERIAL: PHOSPHOR BRONZE  
 CONTACT PLATING: 120µ" TIN OVER 50µ" NICKEL  
 QUALITY CLASS: 20 MATING CYLCES  
 PITCH: 1.00mm

**ENVIRONMENTAL**  
 OPERATING TEMPERATURE: -40°C UP TO +105°C  
 COMPLIANCE: LEAD FREE AND ROHS

**ELECTRICAL**  
 CURRENT RATING: 1.0A  
 WORKING VOLTAGE: 100V AC/DC  
 INSULATION RESISTANCE: >500 MΩ  
 WITHSTANDING VOLTAGE: 500 VAC/min  
 CONTACT RESISTANCE: 50 mΩ max

**STANDARD**  
 CERTIFIED: E323964

**SOLDERING**  
 JEDEC LEAD FREE REFLOW SOLDERING PROCESS

**PACKAGING**  
 TAPE & REEL

**AVAILABLE IN**  
 4 -6-8-10-12-14-15-16-18-20-22-24-26-28-30

DIM.A = 1.00 x No. of Spaces  
 DIM.B = DIM.A + 5.6  
 DIM.C = DIM.A + 2.1

RoHS Compliant			
G			
F			
E			
D			
C	03-AUG-16	TOLERANCE	AK
B	01-DEC-15	PUNNING	AK
A	20-OCT-14	PDF	AS
REV	DATE	FILE	BY

PROJECTION:	
APPROVAL: GMo	

GENERAL TOLERANCE	
.X = +/- 0.15	
.XX = +/- 0.10	

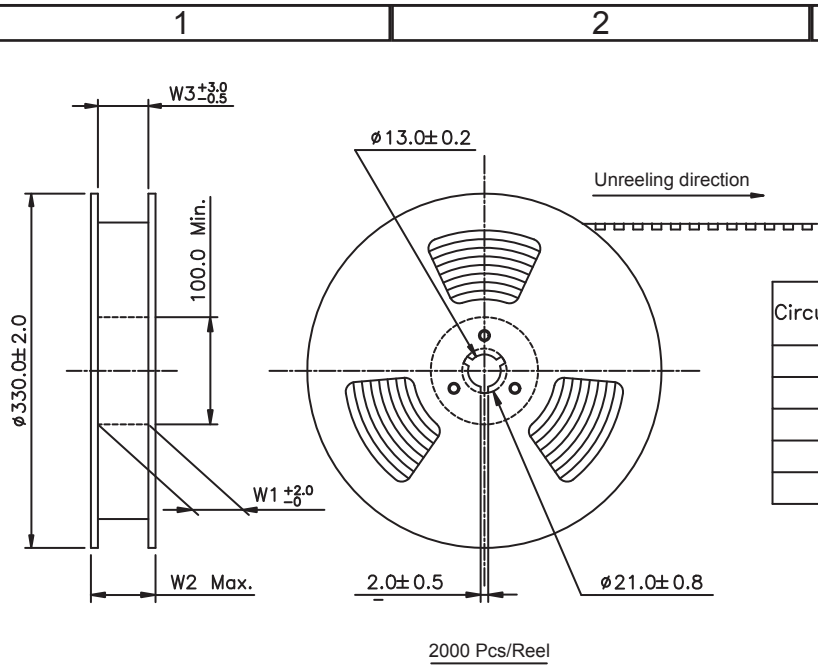
UNIT: MM
SCALE:
SHEET: 1/3
DRAW: AS

**WÜRTH ELEKTRONIK**

DESCRIPTION: WR-FPC - SMT ZIF HORIZONTAL - BOTTOM CONTACT, 1.00MM HINGE TYPE		<b>SIZE</b> <b>A4</b>
WERI PART NO: 686 1xx 148 922		

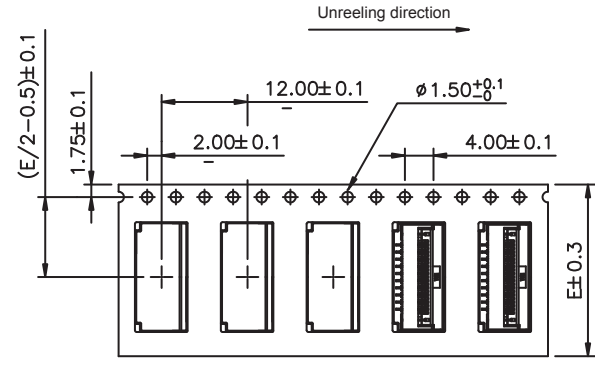
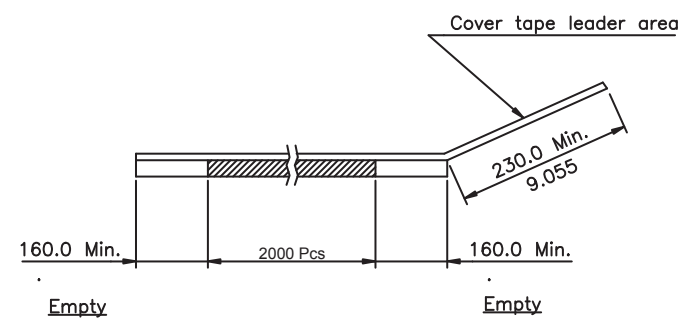
A  
B  
C

D

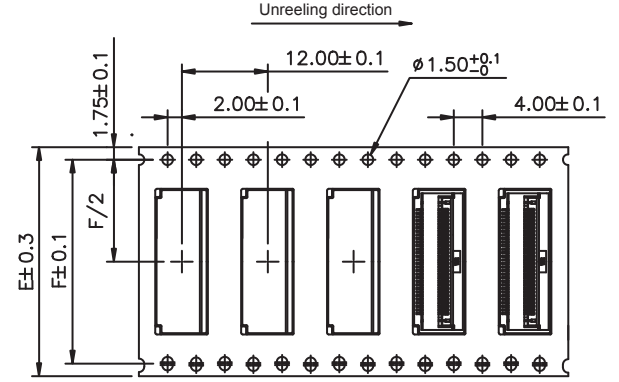


Circuits(1.0mm Pitch)	Dimension					Packing (Reel/Caton)
	E	F	W1	W2	W3	
4	16.0	—	16.5	22.5	16.5	11
5-12	24.0	—	24.5	30.5	24.5	9
13-16	32.0	28.40	32.5	38.5	32.5	7
17-28	44.0	40.40	44.5	50.5	44.5	5
29-32	56.0	52.50	56.5	62.5	56.5	4

2000 Pcs/Reel



WIDTH : 16,24 mm Carrier



WIDTH : 32,44,56 mm Carrier

RoHS Compliant				PROJECTION: 	GENERAL TOLERANCE .X = +/- 0.15 .XX = +/- 0.10	
G						
F						
E						
D				APPROVAL: GM	UNIT: MM SCALE: SHEET: 2/3 DRAW: AS	DESCRIPTION: WR-PHD SMT ZIF HORIZONTAL - BOTTOM CONTACT, 1.00MM HINGE TYPE WERI PART NO: 686 1xx 148 922
C						
B						
A	24-JUL-14	PDF	AS			
REV	DATE	FILE	BY			SIZE <b>A4</b>

1

2

3

4

5

## Cautions and Warnings:

This electronic component is designed and developed with the intention for use in general electronics equipments.

Before incorporating the components into any equipments in the field such as aerospace, aviation, nuclear control, submarine, transportation, (automotive control, train control, ship control), transportation signal, disaster prevention, medical, public information network etc. where higher safety and reliability are especially required or if there is possibility of direct damage or injury to human body, Würth Elektronik must be asked for a written approval.

In addition, even electronic component in general electronic equipments, when used in electrical circuits that require high safety, reliability functions or performance, the sufficient reliability evaluation-check for the safety must be performed before by the user before usage.

A

B

C

RoHS Compliant

PROJECTION:



GENERAL TOLERANCE

.X = +/- 0.2

.XX = +/- 0.15



APPROVAL: JC

UNIT: MM

SCALE:

SHEET: 3/3

DRAW: QL



DESCRIPTION: DISCLAIMER

WERI PART NO: DISCLAIMER

SIZE

**A4**

D

G				PROJECTION: 	GENERAL TOLERANCE .X = +/- 0.2 .XX = +/- 0.15	
F						
E						
D						
C				APPROVAL: JC	UNIT: MM	DESCRIPTION: DISCLAIMER
B					SCALE:	
A	10-SEP-14	PDF	QL		SHEET: 3/3	WERI PART NO: DISCLAIMER
REV	DATE	FILE	BY		DRAW: QL	

# Mouser Electronics

Authorized Distributor

Click to View Pricing, Inventory, Delivery & Lifecycle Information:

## Würth Electronics:

[686110148922](#) [686115148922](#) [686120148922](#) [686118148922](#) [686124148922](#) [686122148922](#) [686114148922](#)  
[686128148922](#) [686112148922](#) [686126148922](#) [686108148922](#) [686106148922](#) [686130148922](#) [686104148922](#)  
[686116148922](#) [687118182122](#) [687112182122](#) [687108182122](#) [687126182122](#) [687116182122](#) [687124182122](#)  
[687122182122](#) [687120182122](#) [687110182122](#) [687114182122](#) [687117182122](#) [687128182122](#)