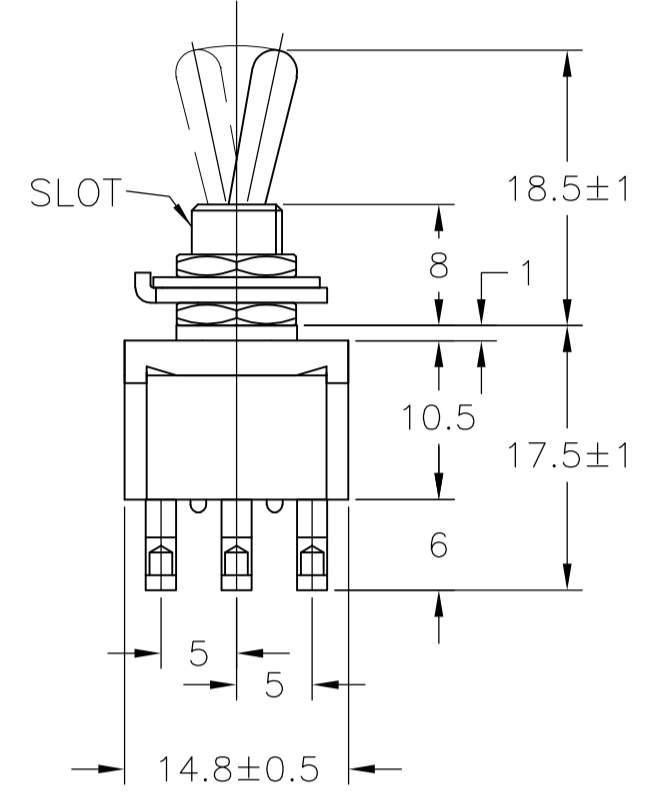
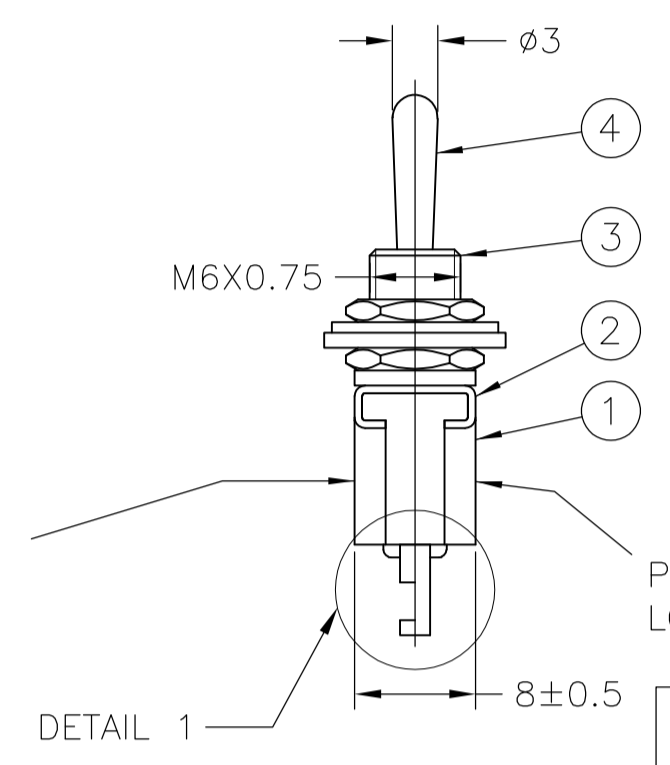
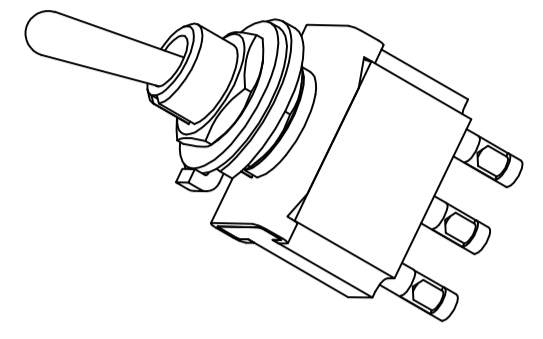
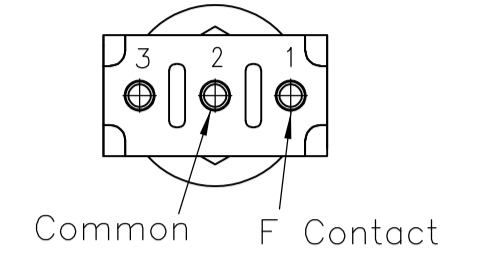
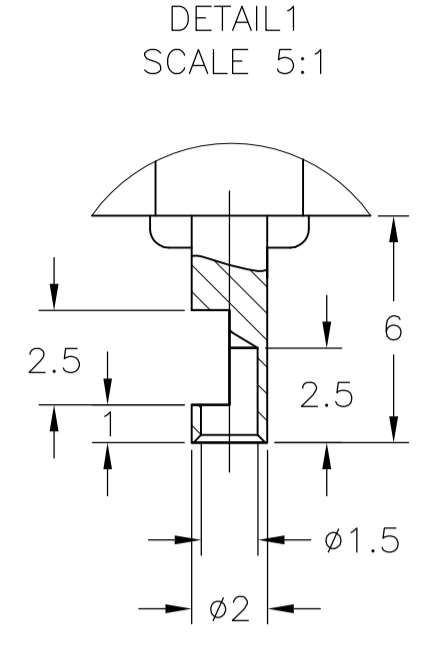


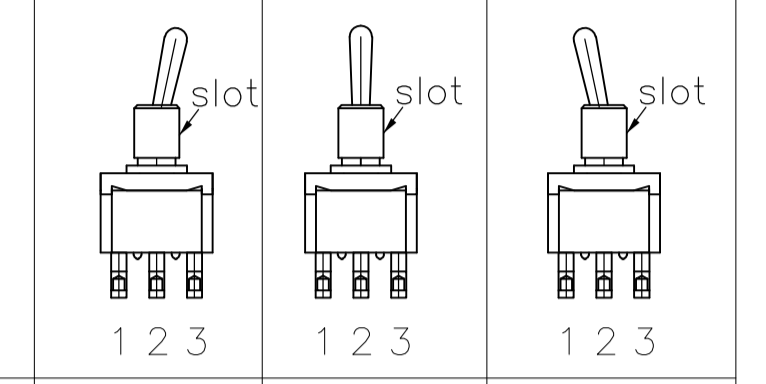
REVISONS		DATE	DWN	APVD
LOC	DIST	DESCRIPTION		
A1	REVISED PER ECO-10-014168	02AUG10	HMR	MW



DATE CODE PRINTING LAST DIGIT OF YEAR
 A-L = JANUARY TO DECEMBER DAY

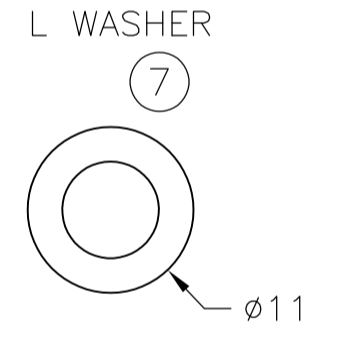
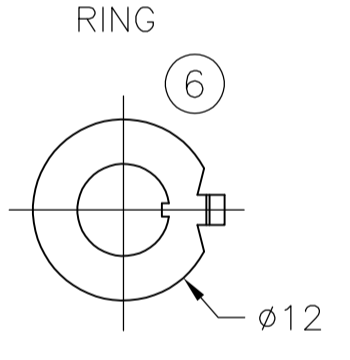
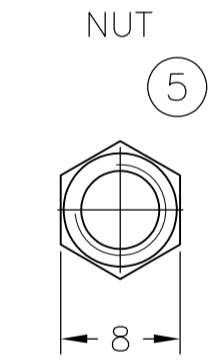
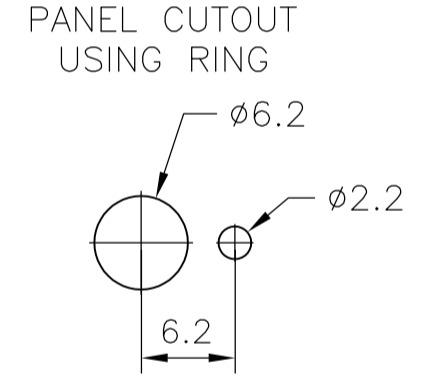
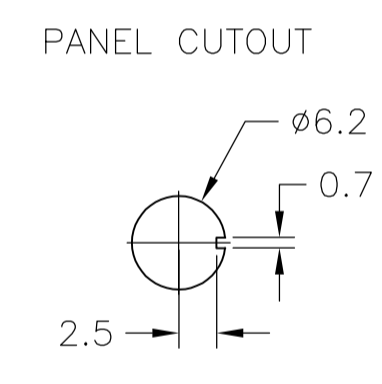
PRINTING OF LOGO AND RATING
 MODEL NO. ALCO FTD0904
 RATING 6A AC 250V
 SW. FUNCT. ON - ON

FUNCTION CHART



TE PN	PART	TERMINALS 1 AND 2		TERMINALS 2 AND 3
2-6437630-0	FTD0904	ON	NONE	ON
5-6437630-7	FTF0904	(ON)	NONE	ON
6-6437630-2	FTE0904	ON	OFF	ON
4-6437630-8	FTH0904	(ON)	OFF	ON
5-6437630-5	FTG0904	(ON)	OFF	(ON)
3-6437630-4	FTD09G04	ON	NONE	ON
6-6437630-3	FTF09G04	(ON)	NONE	ON
5-6437630-1	FTE09G04	ON	OFF	ON
6-6437630-4	FTH09G04	(ON)	OFF	ON
3-6437630-8	FTG09G04	(ON)	OFF	(ON)

(ON): MOMENTARY ACTION
 OFF: MECHANICAL POSITION WITHOUT ELECTRICAL CONNECTION
 NONE: NO MECHANICAL POSITION



1.5 THICK 1 THICK 0.63 THICK

- 1 0.5VA NO SWITCH FUNCTION WILL BE MARKED BUT WILL BE MARKED GOLD CON.
- 2 OPERATING TEMPERATURE -20°C TO +70°C
- 3 ALL MATERIALS AND FINISHES COMPLY WITH RoHS DIRECTIVE

CONTACT MATERIAL	TE PN	PART	RATING	INITIAL CONTACT RESISTANCE	INSULATION RESISTANCE	DIELECTRIC STRENGTH	ENDURANCE	
C3602BD Ep-Cu/Ni3,Au1b	C3602BD Ep-Cu/Ni3,Au1b	3-6437630-4 6-6437630-3 5-6437630-1 3-6437630-8	FTD09G04 FTF09G04 FTE09G04 FTG09G04	20V AC/DC 0.4VA MAX	MAX 10 MILLIOHMS AT DC 2~4V 0.1A	MIN 1000 M Ohms AT DC 500V	AC 1KV/1MIN (AC 1.2KV/1SEC)	ELECTRICALLY 50,000 CYCLES AT 20 CYCLES/MIN (RATED LOAD RESISTIVE) MECHANICALLY 100,000 CYCLES AT 20 CYCLES/MIN
		6-6437630-4	FTH09G04					ELECTRICALLY 25,000 CYCLES AT 20 CYCLES/MIN (RATED LOAD RESISTIVE) MECHANICALLY 50,000 CYCLES AT 20 CYCLES/MIN
99.8% Silver + C3602BD Ep-Cu/Ni3,AuFb	C3602BD Ep-Cu/Ni3,AuFb	5-6437630-7	FTF0904	AC 125V 6A AC 250V 6A	MAX 10 MILLIOHMS AT DC 2~4V 1A	MIN 1000 M Ohms AT DC 500V	AC 1KV/1MIN (AC 1.2KV/1SEC)	ELECTRICALLY 50,000 CYCLES AT 20 CYCLES/MIN (RATED LOAD RESISTIVE) MECHANICALLY 100,000 CYCLES AT 20CYCLES/MIN
		2-6437630-0 6-6437630-2 4-6437630-8 5-6437630-5	FTD0904 FTE0904 FTH0904 FTG0904					

MATERIALS CHART			
Ep-Fe/Cu2,Ni4b	SK-5	L WASHER	7
Ep-Fe/Cu2,Ni3b	SPCC	RING	6
Ep-Cu/Ni3b	C3602BD	NUT	5
Ep-Cu/Ni3,Cr1b	C3602BD	ACTUATOR	4
Ep-Cu/Ni3b	C3602BD	BUSHING	3
	SUS	FRAME	2
	POLYESTER RESIN	CASE	1
OPTIONAL DESCRIPTION	MATERIAL/SURFACE	PART NAME	PART NO

DIMENSIONS:		TOLERANCES UNLESS OTHERWISE SPECIFIED:		APPROVED:		DRAWING NO.		RESTRICTED TO	
mm		0. PLC	± -	DIN	RAGHAVENDRA	02AUG10	1968510		
		1. PLC	± -	CHK	MICHAEL WILBOURN	02AUG10			
		2. PLC	± -	APVD	MICHAEL WILBOURN	02AUG10			
		3. PLC	± -	PRODUCT SPEC					
		4. PLC	± -	APPLICATION SPEC					
		ANGLES	± -	WEIGHT					
MATERIAL	FINISH			CUSTOMER DRAWING			SCALE 1:1	SHEET 1 of 1	REV A1

Mouser Electronics

Authorized Distributor

Click to View Pricing, Inventory, Delivery & Lifecycle Information:

[TE Connectivity:](#)

[FTF0904](#)