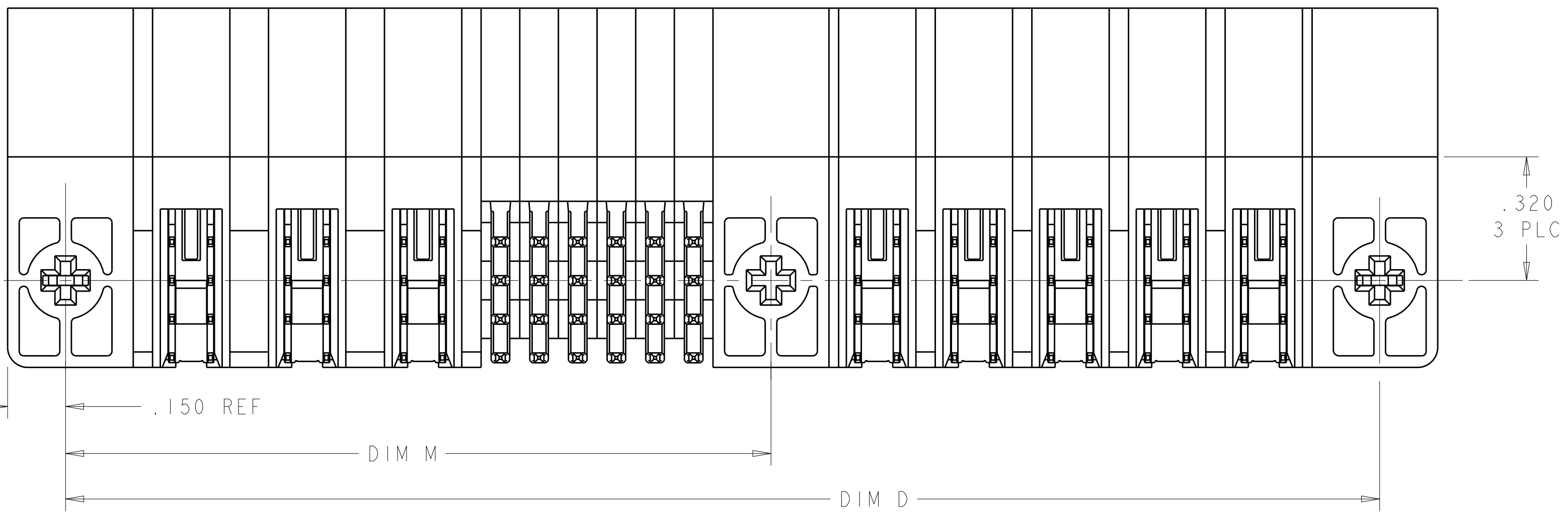
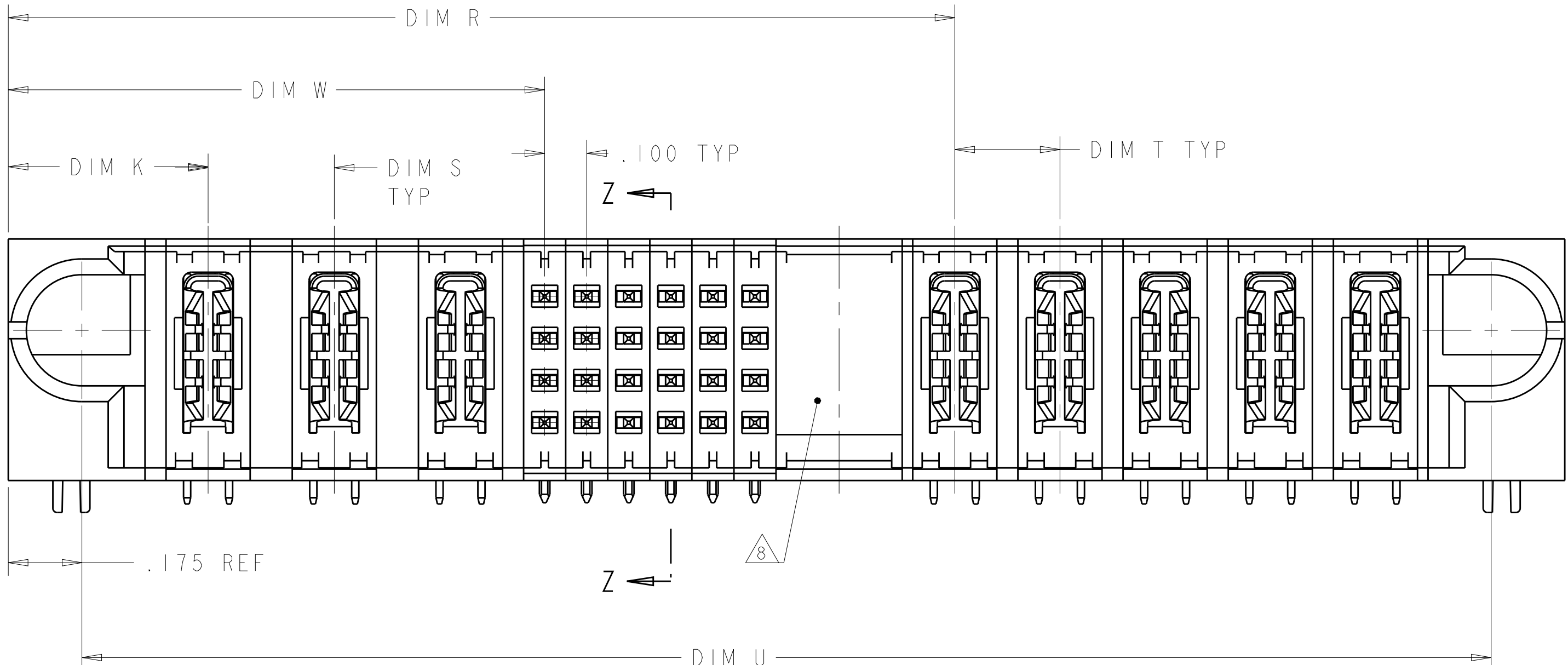
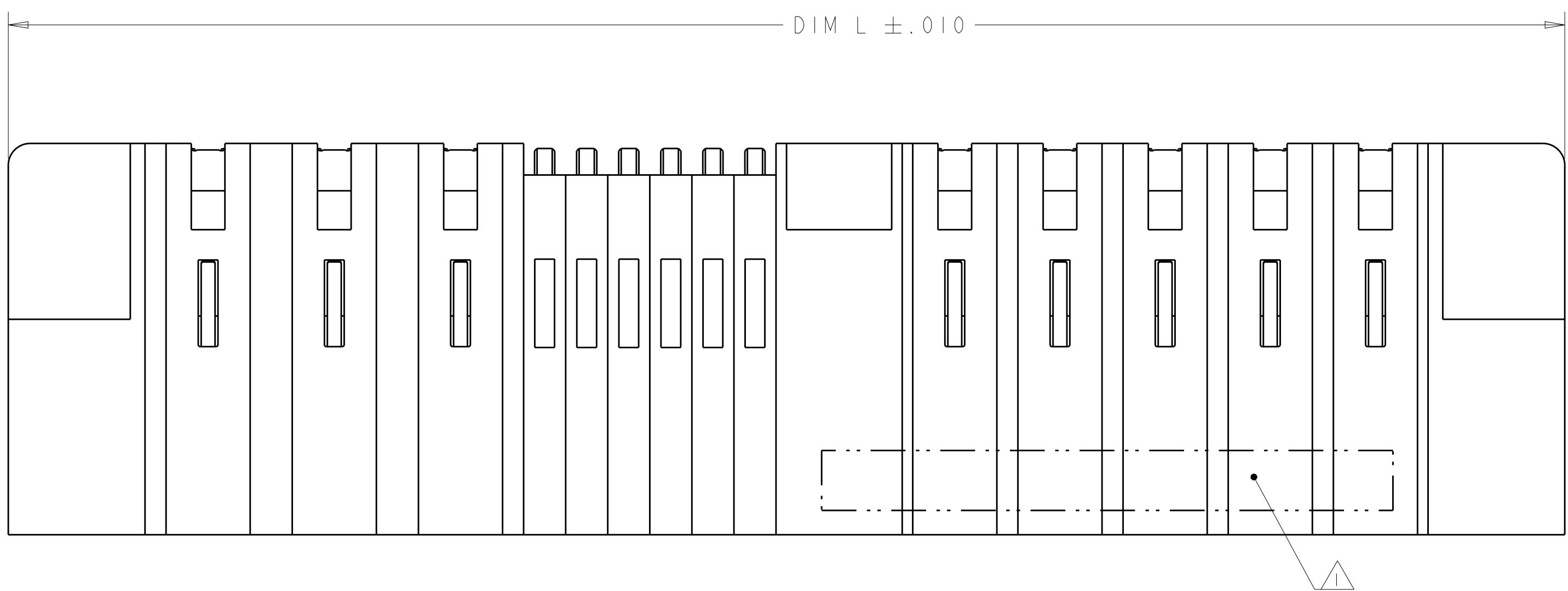
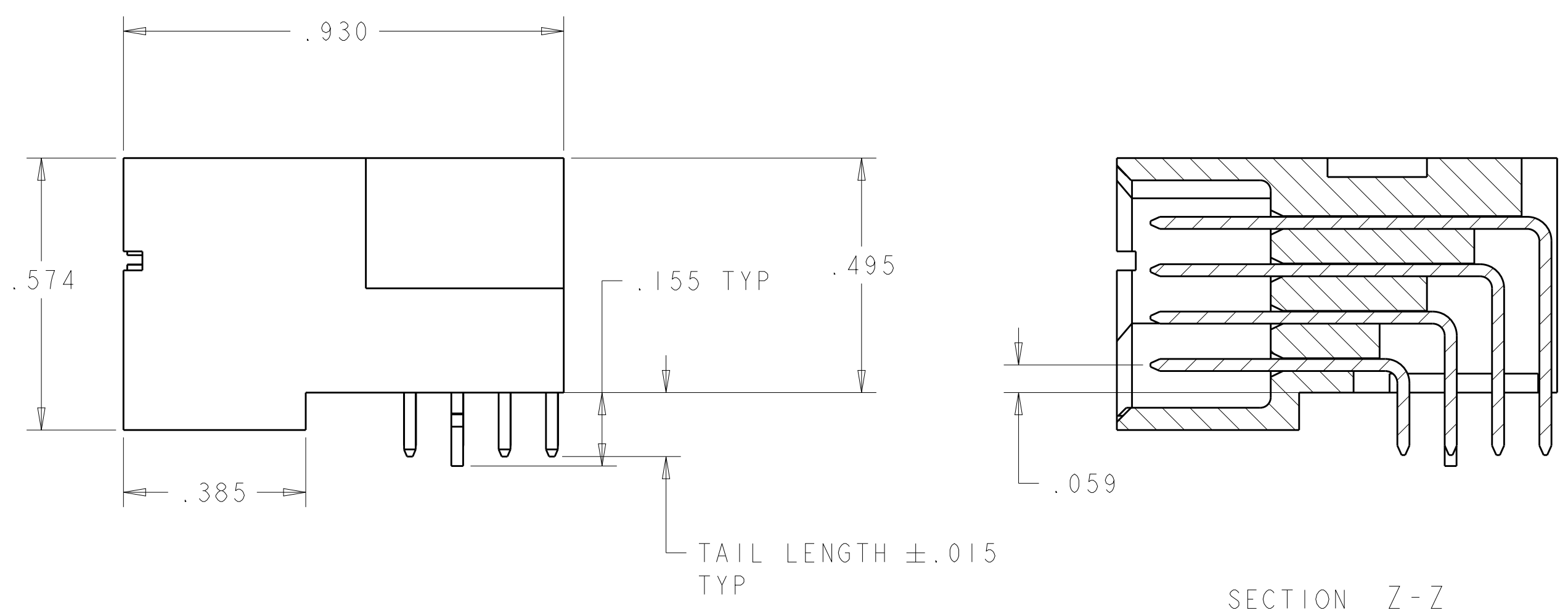


LOC	DIST	REVISIONS					
		P	LTN	DESCRIPTION	DATE	DWN	APVD
ES	00	M1		ADD NEW DASH NUMBER 7-0	08FEB2014	AL	SZ
		M2		ADD NEW DASH NUMBER	21MAR2014	AL	SZ



- 1 "AMP" PART NUMBER AND DATE CODE TO BE MARKED IN AREA SHOWN. PARTS UNDER 2.500 LONG MAY BE MARKED ON BOTH SIDES.
- 2 MATERIAL: HOUSING - GLASS FILLED HIGH TEMP THERMO PLASTIC, UL 94 V-0  
 SIGNAL CONTACT - COPPER ALLOY  
 POWER CONTACT - HIGH CONDUCTIVITY COPPER ALLOY.
- 3 CONTACT FINISHE:  
 NOBLE METAL PLATED ON THE CONTACT FUNCTIONAL AREA OF POWER AND SIGNAL CONTACTS.
- 4 MECHANICAL CONNECTOR KEEP OUT ZONE. WHEN PLACING CONNECTORS END-TO-END, ALLOW ADDITIONAL 0.1 CLEARANCE BETWEEN CONNECTORS FOR LATCH ACTIVATION.
- 5 DATUM AND BASIC DIMENSIONS ESTABLISHED BY CUSTOMER.
- 6 PCB - ALL HOLE DIAMETERS ARE FINISHED HOLE SIZES.
- 7 PCB - .0453±.0010 DRILLED HOLES PLATED WITH .0003 MIN Sn OVER .001 TO .003 Cu PLATING TO ACHIEVE A .040 DIA HOLE.
- 8 OPTIONAL CENTER MODULE WITH Ø.150 THRU HOLE OR HOLD DOWN FEATURE.



THIS DRAWING IS A CONTROLLED DOCUMENT.

DWN: R.GRZYBOWSKI 02FEB05  
 CHK: M.PERCHEKKE 02FEB05  
 APVD: M.PERCHEKKE 02FEB05

**STE** TE Connectivity

NAME: RIGHT ANGLE HEADER W/GUIDES ASSEMBLY MULTI-BEAM XL

PRODUCT SPEC: 108-1973  
 APPLICATION SPEC: 114-13038

SIZE: A1  
 CAGE CODE: 6450120  
 DRAWING NO: 100779

RESTRICTED TO: -

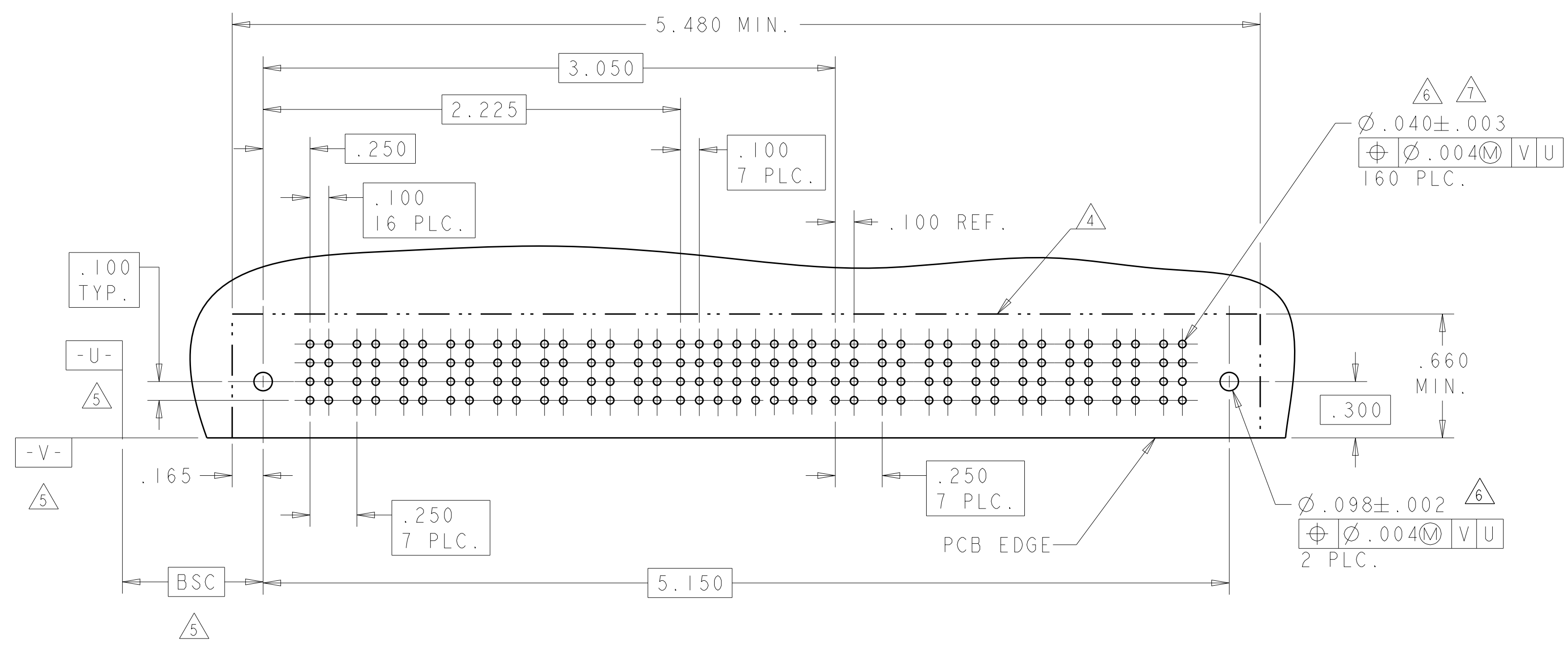
MATERIAL: FINISH:

CUSTOMER DRAWING

SCALE: 4:1 SHEET 1 OF 24 REV: M2

LOC	DIST	REVISIONS					
ES	00	P	LTN	DESCRIPTION	DATE	OWN	APVD
		-		SEE SHEET 1			

PART NUMBER	ROWS	POWER							SIGNAL								POWER												
		P1	P2	P3	P4	P5	P6	P7	P8	1	2	3	4	5	6	7	8	P9	P10	P11	P12	P13	P14	P15	P16				
6450120-1	D C B A	PM	PM	PM	PM	PM	PM	PM	J	J	J	J	J	J	J	J	PM	PM	PM	PM	PM	PM	PM	PM					
									K	K	K	K	K	K	K	K													
									S	S	S	S	S	S	S	S													
8P + 32S + 8P																													

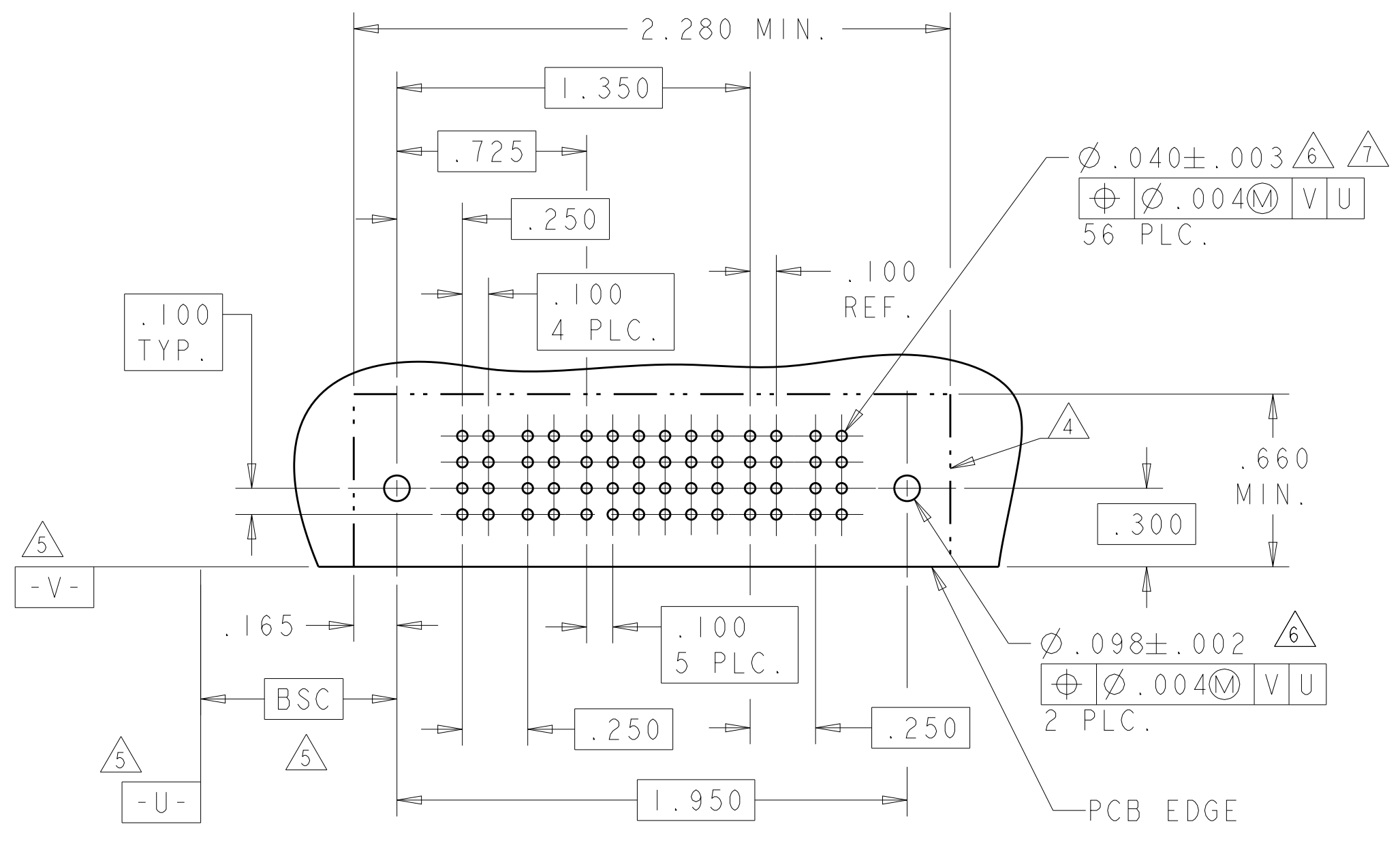


U	S	T	R	W	D	M	L	K	DESCRIPTION	PART NUMBER
1.700	.250	.250	1.300	.875	1.750	-	2.050	.450	2P+16S+2P	7-6450120-1
2.700	.200	-	2.600	1.425	2.750	-	3.050	.450	5P + 44S + 1P	7-6450120-0
1.100	-	-	1.000	.625	1.150	-	1.450	.450	1P+12S+1P	6-6450120-9
1.000	-	-	.900	.625	1.050	-	1.350	.450	1P + 8S + 1P	6-6450120-8
2.850	.300	.200	2.125	1.825	2.900	-	3.200	.450	7HDP + 8S + 3ACP	6-6450120-7
2.650	.250	.200	1.550	.875	2.700	-	3.000	.450	2P + 24S + 6P	6-6450120-6
2.300	.300	.250	1.950	1.275	2.350	-	2.650	.475	3ACP + 24S + 2P	6-6450120-5
3.100	.250	.250	2.250	1.875	3.150	-	3.450	.450	6P + 12S + 4P	6-6450120-4
2.400	.250	.250	1.800	1.125	2.450	-	2.750	.475	3P + 24S + 3P	6-6450120-1
3.000	.300	.250	1.650	1.325	3.050	-	3.350	.475	3ACP + 8S + 6P	6-6450120-0
1.900	.300	.250	1.550	1.275	1.950	-	2.250	.475	3ACP + 8S + 2P	5-6450120-9
2.800	-	-	-	0.375	2.850	-	3.150	-	100S	5-6450120-8
2.700	.250	.250	2.100	1.125	2.750	-	3.050	.450	3P + 36S + 3P	5-6450120-7
1.100	-	-	1.000	.625	1.150	-	1.450	.450	1P + 12S + 1P	5-6450120-6
3.250	.300	.250	2.525	2.175	3.300	-	3.600	.450	7P + 8S + 3ACP	5-6450120-5
2.400	.250	.250	1.550	.875	2.450	-	2.750	.450	2P + 24S + 4P	5-6450120-3
5.400	.300	.300	2.875	2.175	5.450	-	5.750	.475	6P + 24S + 9P	5-6450120-2
3.800	.250	.300	1.875	1.375	3.850	-	4.150	.450	4P + 16S + 7ACP	5-6450120-0
1.600	.250	.250	1.250	.875	1.650	-	1.950	.450	2P + 12S + 2P	4-6450120-9
2.900	.250	.250	2.050	1.375	2.950	-	3.250	.450	4P + 24S + 4P	4-6450120-8
1.900	.250	.250	1.550	0.875	1.950	-	2.250	.450	2P + 24S + 2P	4-6450120-7
2.000	.250	.250	1.400	1.125	2.050	-	2.350	.450	3P + 8S + 3P	4-6450120-6
2.900	.250	.250	3.550	2.875	5.950	-	6.250	.450	10P + 24S + 10P	4-6450120-5
3.700	.200	.300	2.700	2.025	3.750	-	4.050	.450	8P + 24S + 4ACP	4-6450120-4
2.900	.300	.250	2.050	1.575	2.950	-	3.250	.475	4ACP+16S+4P	4-6450120-3
4.375	.250	.300	3.375	2.375	4.425	3.100	4.725	.450	8P + 24S + 1M + 4ACP	4-6450120-2
4.100	.300	.250	2.250	1.575	4.150	-	4.450	.475	4ACP + 24S + 8P	4-6450120-0
3.800	.250	.250	3.450	.875	3.850	-	4.150	.450	2P + 100S + 2P	3-6450120-6
4.600	.250	.250	3.250	1.875	4.650	-	4.950	.450	6P + 52S + 6P	3-6450120-5
5.100	.250	.250	3.500	2.175	5.150	-	5.450	.450	7P + 48S + 7P	3-6450120-4
3.500	.250	.300	2.775	2.375	3.550	-	3.850	.450	8P + 12S + 3ACP	3-6450120-3
4.000	.200	.200	2.700	1.825	4.050	-	4.350	.450	7HDP + 32S + 7HDP	3-6450120-0
3.900	.250	.250	2.550	1.875	3.950	-	4.250	.450	6P + 24S + 6P	2-6450120-7
5.200	.300	.250	2.350	1.625	5.250	-	5.550	.475	4ACP + 24S + 12P	2-6450120-6
2.500	.250	.250	2.150	1.425	2.550	-	2.850	.450	4P + 24S + 2P	2-6450120-5
3.600	.250	.250	2.500	1.625	3.650	-	3.950	.450	5P + 32S + 5P	2-6450120-4
2.500	.250	.250	2.150	.875	2.550	-	2.850	.450	2P + 48S + 2P	2-6450120-3
4.500	.300	.250	1.650	.975	4.550	-	4.850	.475	2ACP + 24S + 12P	2-6450120-2
2.850	.250	.250	2.000	1.125	2.900	-	3.200	.450	3P + 32S + 4P	2-6450120-1
3.950	.200	.250	2.125	1.025	4.000	-	4.300	.425	3P + 40S + 8P	2-6450120-0
1.400	-	-	1.300	.625	1.450	-	1.750	.450	1P + 24S + 1P	1-6450120-6
2.000	.300	.300	1.575	.975	2.050	-	2.350	.475	2P + 20S + 2P	1-6450120-4
1.200	-	-	1.100	.625	1.250	-	1.550	.450	1P + 16S + 1P	1-6450120-3
2.400	.250	.250	1.800	1.125	2.450	-	2.750	.450	3P + 24S + 3P	1-6450120-2
2.675	.200	.200	2.375	1.650	2.725	-	3.025	.450	5P + 24S + 2P	1-6450120-1
4.350	.250	.250	3.500	2.625	4.400	-	4.700	.450	9P + 32S + 4P	1-6450120-0
4.150	.250	.250	2.800	2.125	4.200	-	4.500	.450	7P + 24S + 6P	6450120-9
2.800	.250	.300	2.075	1.375	2.850	-	3.150	.450	4P + 24S + 3ACP	6450120-8
3.050	.300	.250	1.950	1.275	3.100	-	3.400	.475	3ACP + 24S + 5P	6450120-7
7.400	.250	.250	5.050	2.875	7.450	-	7.750	.450	10P + 84S + 10P	6450120-6
4.350	.250	.250	3.000	2.125	4.400	-	4.700	.450	7P + 32S + 6P	6450120-5
3.650	.250	.250	2.550	1.875	3.700	-	4.000	.450	6P + 24S + 5P	6450120-4
2.900	.250	.250	1.800	1.125	2.950	-	3.250	.450	3P + 24S + 5P	6450120-3
1.900	.250	.250	1.550	0.875	1.950	-	2.250	.450	2P + 24S + 2P	6450120-2
5.100	.250	.250	3.250	2.375	5.150	-	5.450	.450	8P + 32S + 8P	6450120-1

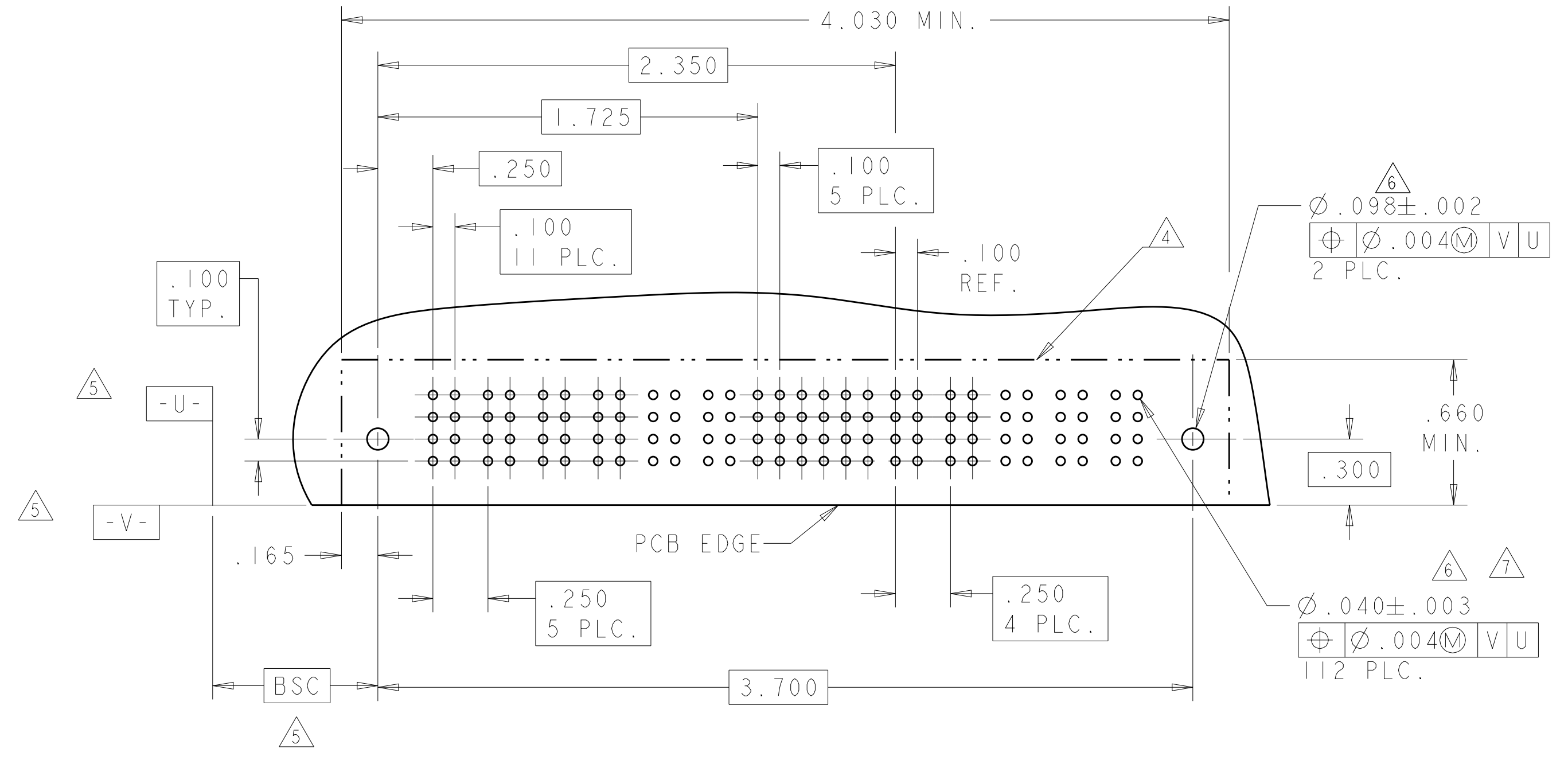
THIS DRAWING IS A CONTROLLED DOCUMENT. DIMENSIONS: INCHES. TOLERANCES UNLESS OTHERWISE SPECIFIED: 0 PLC ±.01, 1 PLC ±.01, 2 PLC ±.01, 3 PLC ±.005, 4 PLC ±.002, ANGLES ±.020. MATERIAL: FINISH: THIS DRAWING IS UNPUBLISHED. RELEASED FOR PUBLICATION. ALL RIGHTS RESERVED. DWG: R. GRZYBOWSKI, CHK: M. PERCHERKE, APVD: M. PERCHERKE. PRODUCT SPEC: 108-1973, APPLICATION SPEC: 114-13038, WEIGHT: A100779, SCALE: 4:1, SHEET 2 OF 24, REV M2. CUSTOMER DRAWING. STC TE Connectivity. RIGHT ANGLE HEADER W/GUIDES ASSEMBLY MULTI-BEAM XL.

LOC		DIST		REVISIONS			
ES	00	P	LTN	DESCRIPTION	DATE	DMN	APVD
				SEE SHEET 1			

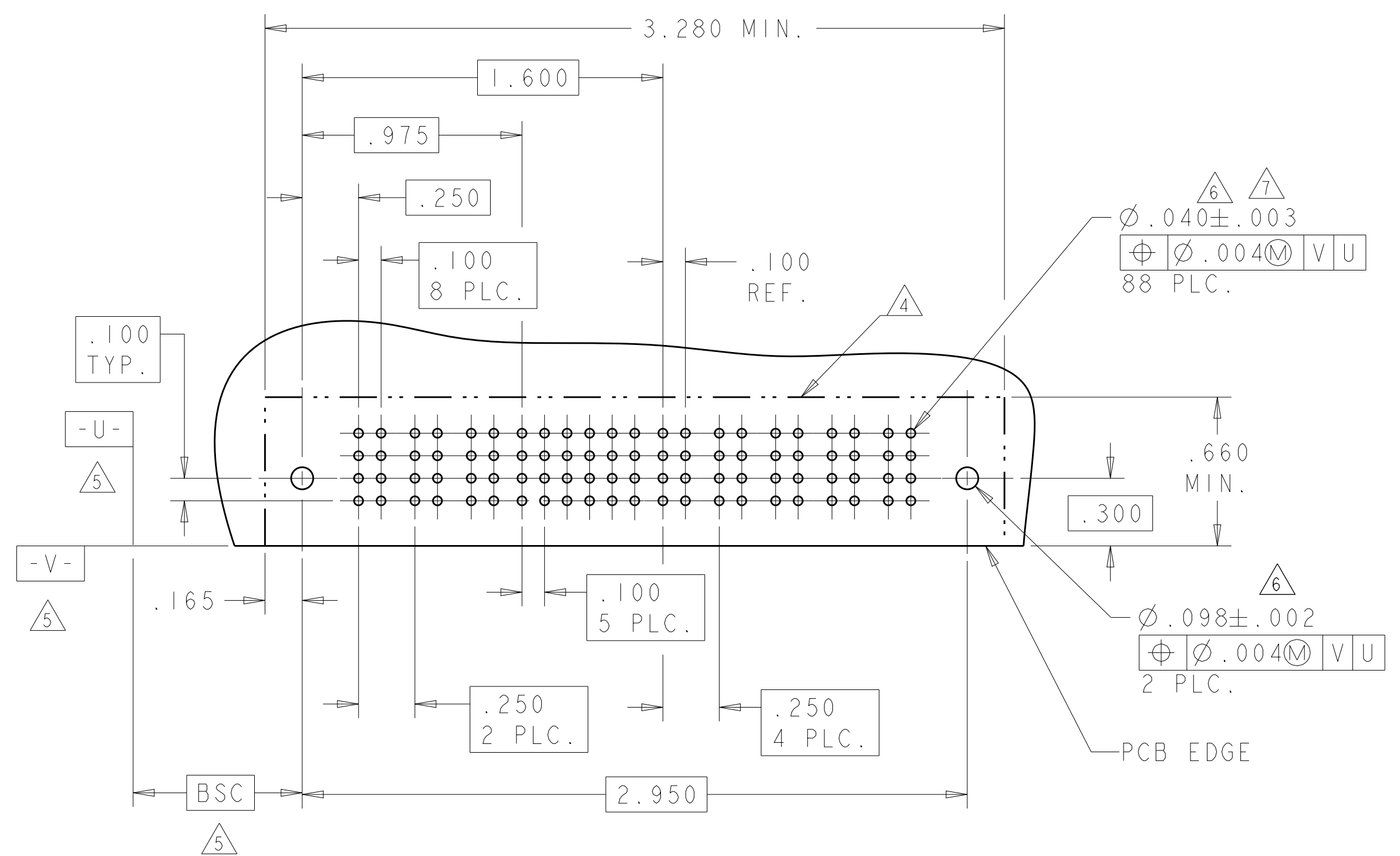
PART NUMBER	ROWS	POWER		SIGNAL						POWER	
		P1	P2	1	2	3	4	5	6	P3	P4
6450120-2	D C B A	PM	PM	J	J	J	J	J	J	PM	PM
				K	K	K	K	K	K		
				N	N	N	N	N	N		
				S	S	S	S	S	S		
2P + 24S + 2P											



PART NUMBER	ROWS	POWER						SIGNAL						POWER				
		P1	P2	P3	P4	P5	P6	1	2	3	4	5	6	P7	P8	P9	P10	P11
6450120-4	D C B A	PM	PM	PM	PM	PM	PM	J	J	J	J	J	J	PM	PM	PM	PM	PM
								K	K	K	K	K	K					
								N	N	N	N	N	N					
								S	S	S	S	S	S					
6P + 24S + 5P																		



PART NUMBER	ROWS	POWER			SIGNAL						POWER				
		P1	P2	P3	1	2	3	4	5	6	P4	P5	P6	P7	P8
6450120-3	D C B A	PM	PM	PM	J	J	J	J	J	J	PM	PM	PM	PM	PM
					K	K	K	K	K	K					
					N	N	N	N	N	N					
					S	S	S	S	S	S					
3P + 24S + 5P															



H	MLBF	.135	A
G	MLBF	.135	B
F	MLBF	.135	C
E	MLBF	.135	D
L4	STD	.165	D
L3	STD	.165	B
L2	STD	.165	C
L1	STD	.165	A
Z	STD	.090	D
Y	STD	.090	C
R	STD	.090	B
O	STD	.090	A
F	MLBF	.135	C
G	MLBF	.135	B
J	STD	.135	D
K	STD	.135	C
N	STD	.135	B
S	STD	.135	A
CODE	MATING SEQUENCE	TAIL LENGTH	ROW
SIGNAL CONTACT			

PD	.165
PA	.090
PM	.135
CODE	TAIL LENGTH
POWER CONTACT	

THIS DRAWING IS A CONTROLLED DOCUMENT. DWN: R. GRZYBOWSKI 02FEB05  
 CHK: M. PERCHERKE 02FEB05  
 APVD: M. PERCHERKE 02FEB05

**STE** TE Connectivity

NAME: RIGHT ANGLE HEADER W/GUIDES ASSEMBLY MULTI-BEAM XL

PRODUCT SPEC: 108-1973  
 APPLICATION SPEC: 114-13038

SIZE: A1  
 CAGE CODE: 6450120  
 DRAWING NO: 100779  
 SHEET 3 OF 24  
 REV M2

CUSTOMER DRAWING SCALE: 4:1

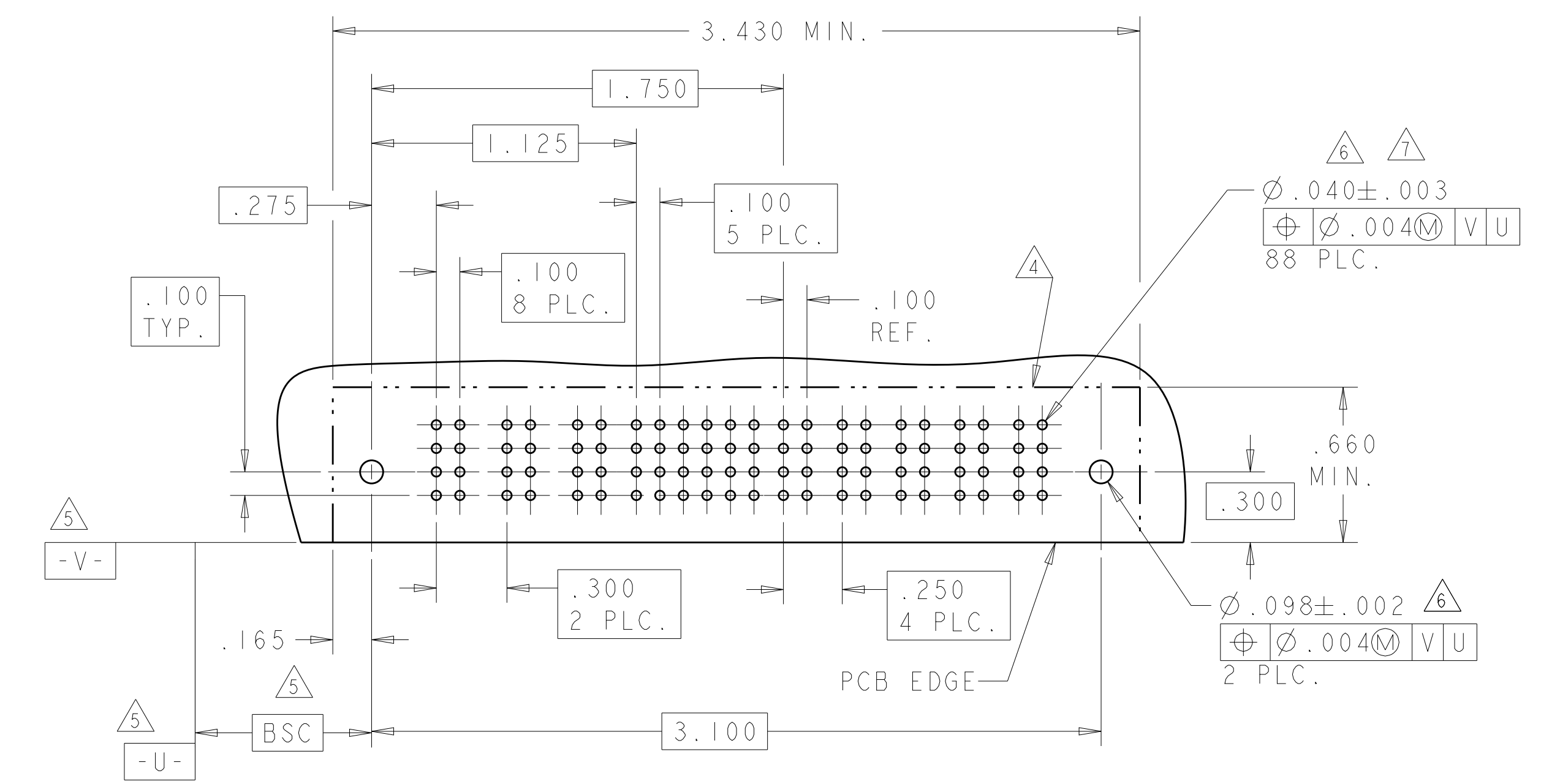
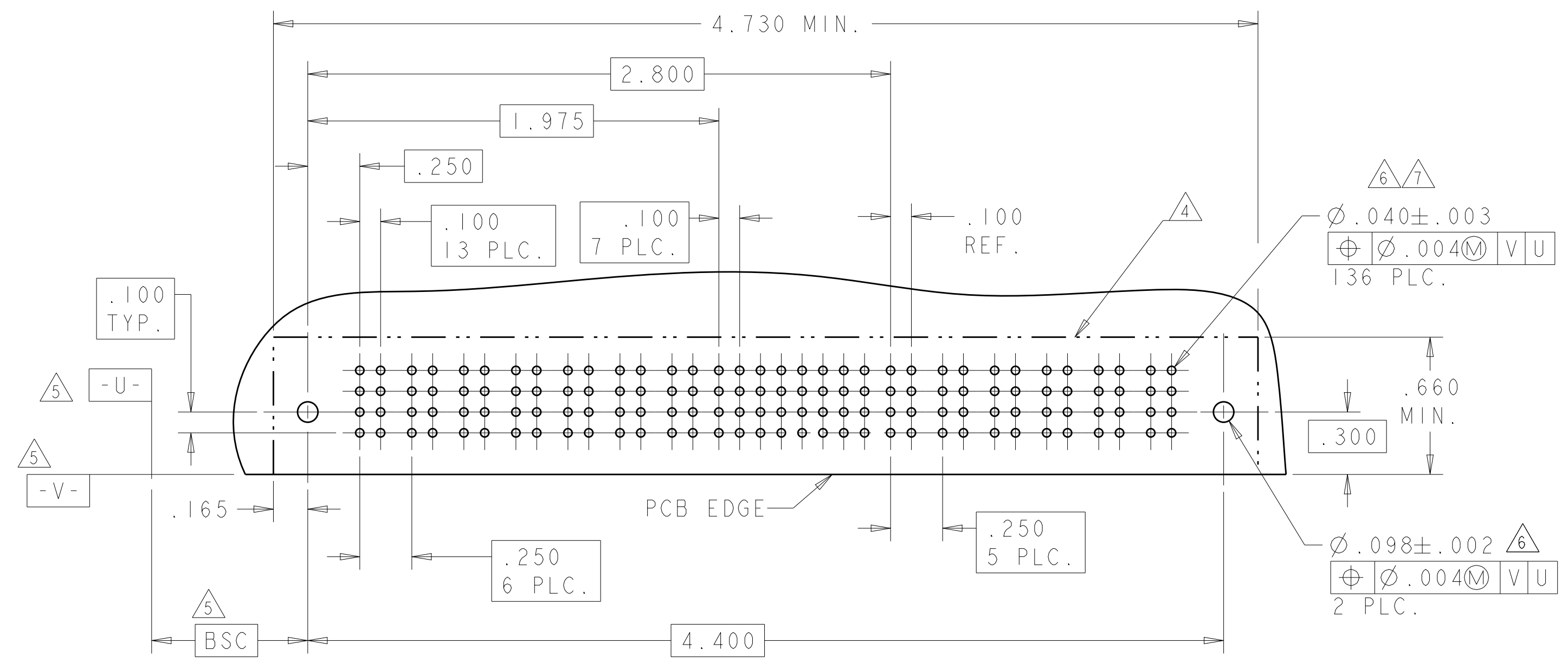
LOC	DIST	REVISIONS			
P	LTN	DESCRIPTION	DATE	DNM	APVD
ES	00	SEE SHEET 1			

PART NUMBER	ROWS	POWER							SIGNAL								POWER									
		P1	P2	P3	P4	P5	P6	P7	1	2	3	4	5	6	7	8	P8	P9	P10	P11	P12	P13				
6450120-5	D C B A	PM	PM	PM	PM	PM	PM	J	J	J	J	J	J	J	K	K	K	K	K	K	PM	PM	PM	PM	PM	PM
								N	N	N	N	N	N	N	N	N	N	N	N	N						
								S	S	S	S	S	S	S	S	S	S	S	S	S						

7P + 32S + 6P

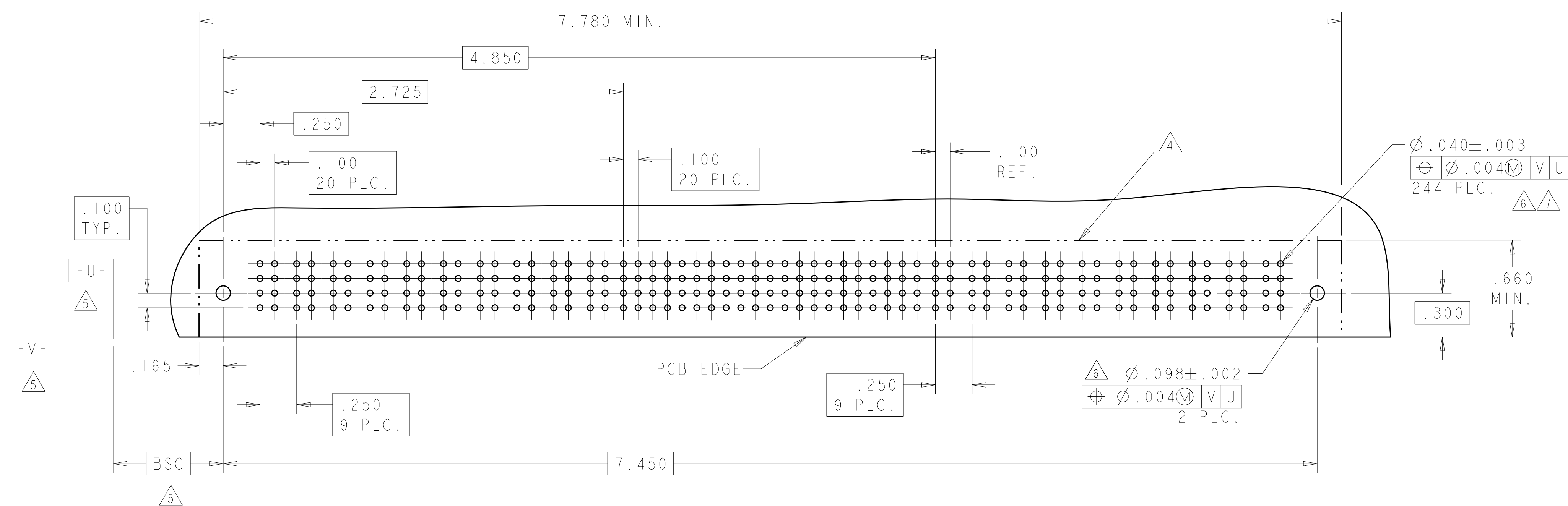
PART NUMBER	ROWS	POWER			SIGNAL						POWER										
		P1	P2	P3	1	2	3	4	5	6	P4	P5	P6	P7	P8						
6450120-7	D C B A	PM	PM	PM	J	J	J	J	J	J	K	K	K	K	K	K	PM	PM	PM	PM	PM
					N	N	N	N	N	N	N	N	N	N	N	N					
					S	S	S	S	S	S	S	S	S	S	S	S					

3ACP + 24S + 5P



PART NUMBER	ROWS	POWER										SIGNAL											POWER																																	
		P1	P2	P3	P4	P5	P6	P7	P8	P9	P10	1	2	3	4	5	6	7	8	9	10	11	12	13	14	15	16	17	18	19	20	21	P11	P12	P13	P14	P15	P16	P17	P18	P19	P20														
6450120-6	D C B A	PM	PM	PM	PM	PM	PM	PM	PM	PM	J	J	J	J	J	J	J	J	J	J	J	J	J	J	J	J	J	J	J	J	J	J	J	J	J	PM	PM	PM	PM	PM	PM	PM	PM	PM	PM	PM										
											K	K	K	K	K	K	K	K	K	K	K	K	K	K	K	K	K	K	K	K	K	K	K	K	K												K	K	K	K	K	K	K	K	K	K
											N	N	N	N	N	N	N	N	N	N	N	N	N	N	N	N	N	N	N	N	N	N	N	N	N												N	N	N	N	N	N	N	N	N	N

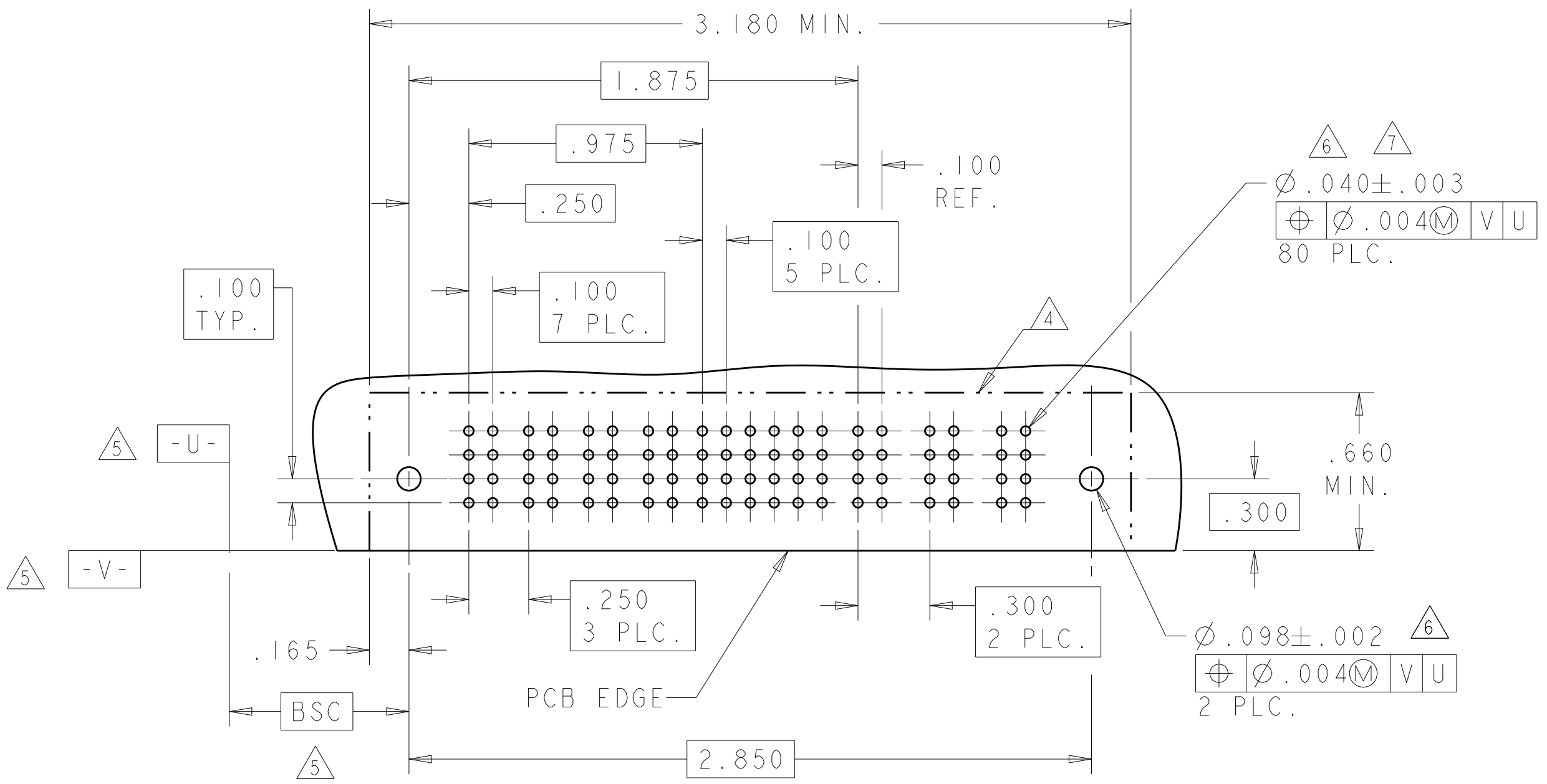
10P + 84S + 10P



THIS DRAWING IS A CONTROLLED DOCUMENT.		DNM: R. GRZYBOWSKI 02FEB05	 TE Connectivity
DIMENSIONS: INCHES		CHK: M. PERCHERKE 02FEB05	
 0 PLC ±. 1 PLC ±.01 2 PLC ±.01 3 PLC ±.005 4 PLC ±.0020 ANGLES ±.020		APVD: M. PERCHERKE 02FEB05	
MATERIAL:	FINISH:	PRODUCT SPEC: 108-1973	NAME: RIGHT ANGLE HEADER W/GUIDES ASSEMBLY MULTI-BEAM XL
		APPLICATION SPEC: 114-13038	SIZE: A1
		WEIGHT:	CAGE CODE: 6450120
		CUSTOMER DRAWING	RESTRICTED TO: M2
SCALE: 4:1			SHEET 4 OF 24

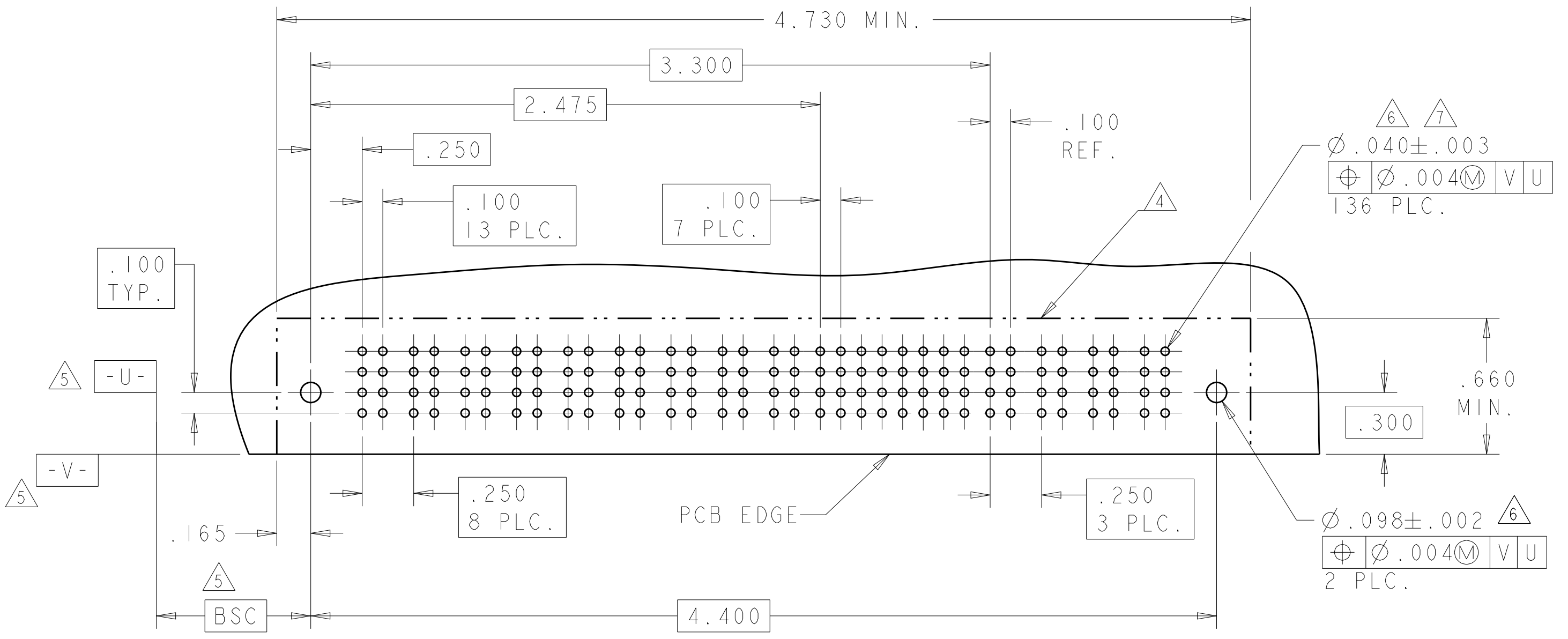
PART NUMBER	ROWS	POWER				SIGNAL						POWER		
		P1	P2	P3	P4	1	2	3	4	5	6	P5	P6	P7
6450120-8	D C B A	PM	PM	PM	PM	J	J	J	J	J	J	PM	PM	PM
						K	K	K	K	K	K			
						N	N	N	N	N	N			
						S	S	S	S	S	S			

4P + 24S + 3ACP



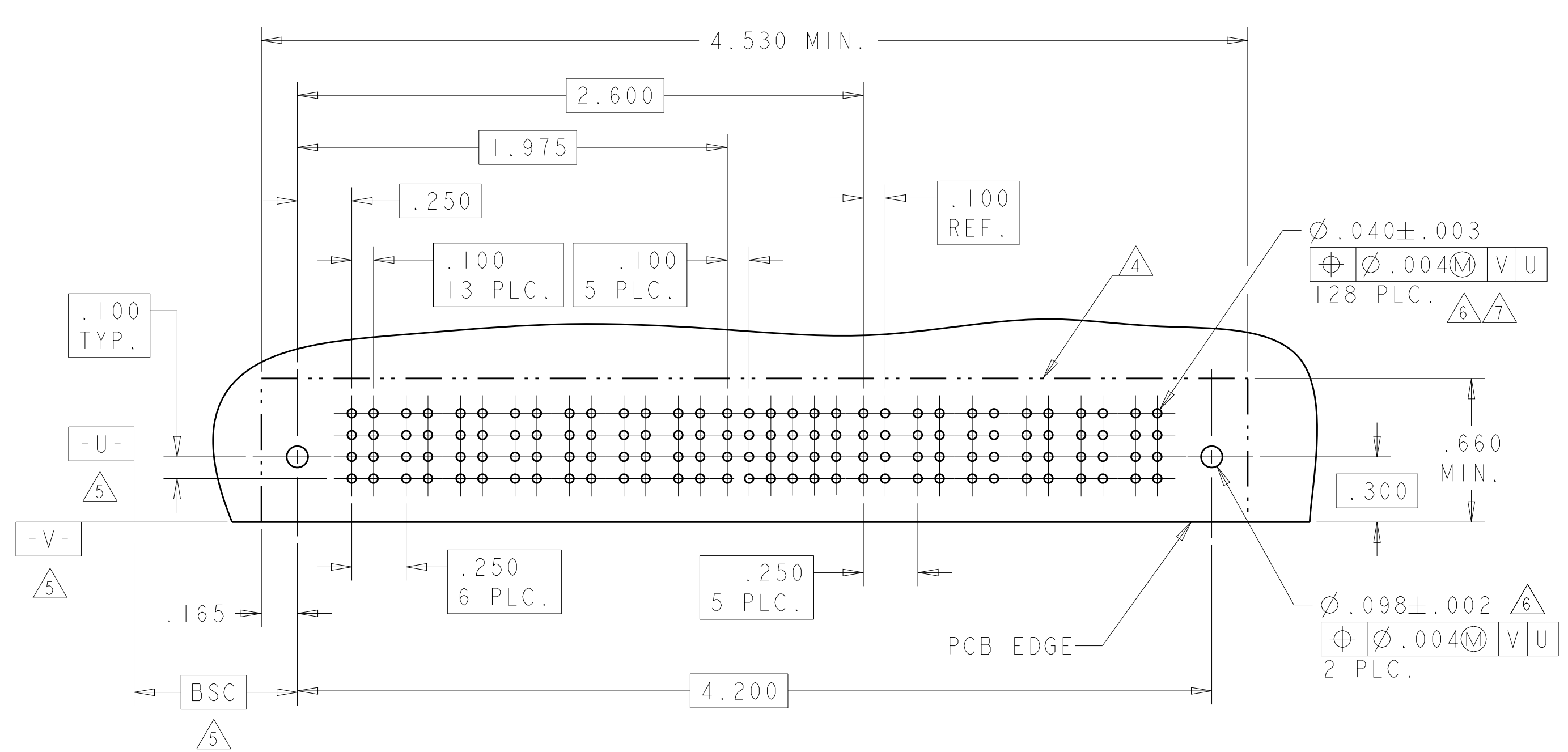
PART NUMBER	ROWS	POWER									SIGNAL								POWER			
		P1	P2	P3	P4	P5	P6	P7	P8	P9	1	2	3	4	5	6	7	8	P10	P11	P12	P13
1-6450120-0	D C B A	PM	PM		PM	PM	PM	PM	PM	PM	J	J	J	J	J	J	J	J	PM	PM	PM	PM
											K	K	K	K	K	K	K	K				
											N	N	N	N	N	N	N	N				
											S	S	S	S	S	S	S	S				

9P + 32S + 4P



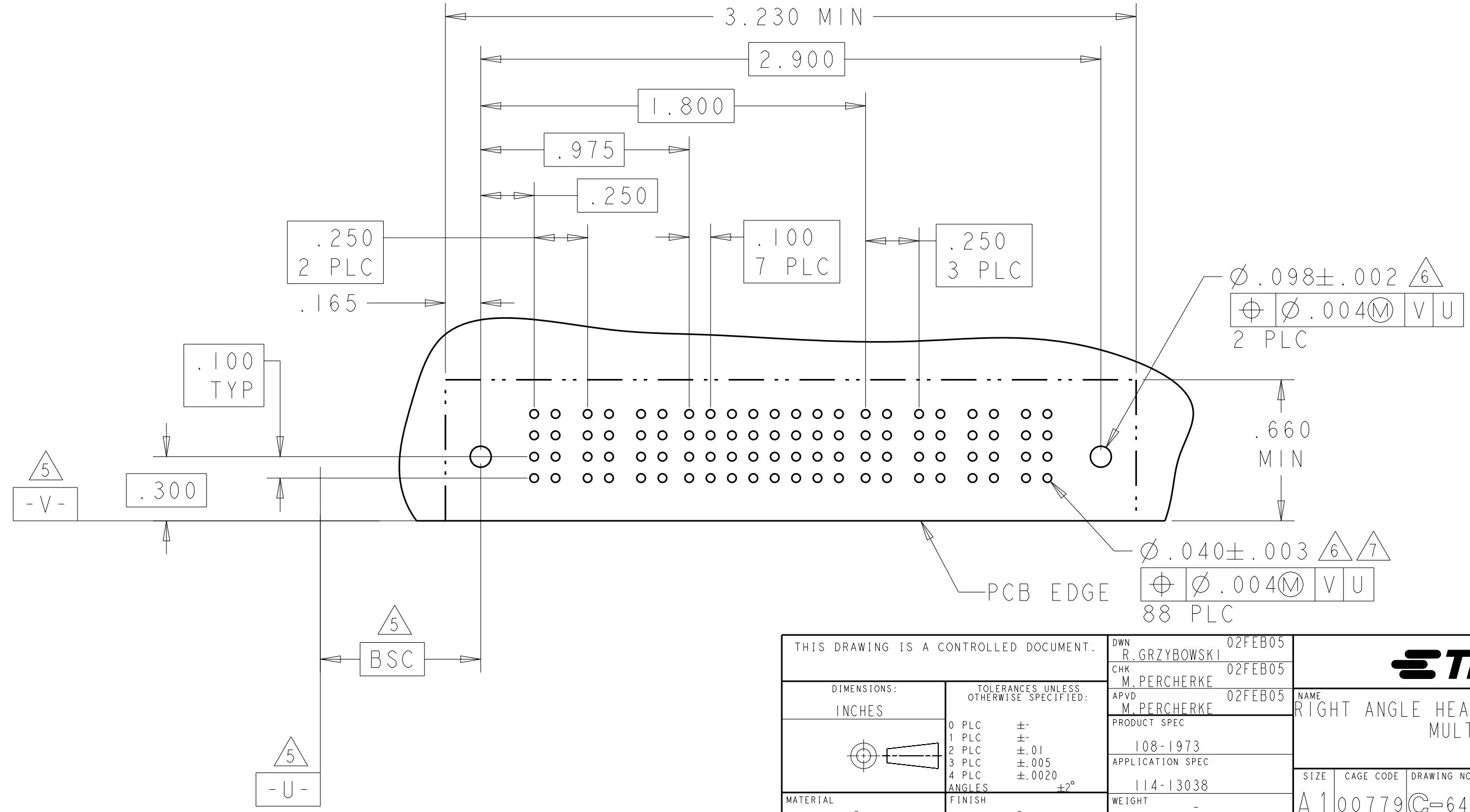
PART NUMBER	ROWS	POWER							SIGNAL						POWER					
		P1	P2	P3	P4	P5	P6	P7	1	2	3	4	5	6	P8	P9	P10	P11	P12	P13
6450120-9	D C B A	PM	PM	PM	PM	PM	PM	PM	J	J	J	J	J	J	PM	PM	PM	PM	PM	PM
									K	K	K	K	K	K						
									N	N	N	N	N	N						
									S	S	S	S	S	S						

7P + 24S + 6P



PART NUMBER	ROWS	POWER			SIGNAL								POWER				
		P1	P2	P3	1	2	3	4	5	6	7	8	P4	P5	P6	P7	
2-1450120-1	4 3 2 1	PM	PM	PM	J	J	J	J	J	J	J	J	J	PM	PM	PM	PM
					K	K	K	K	K	K	K	K	K				
					N	N	N	N	N	N	N	N	N				
					S	S	S	S	S	S	S	S	S				

3P + 32S + 4P



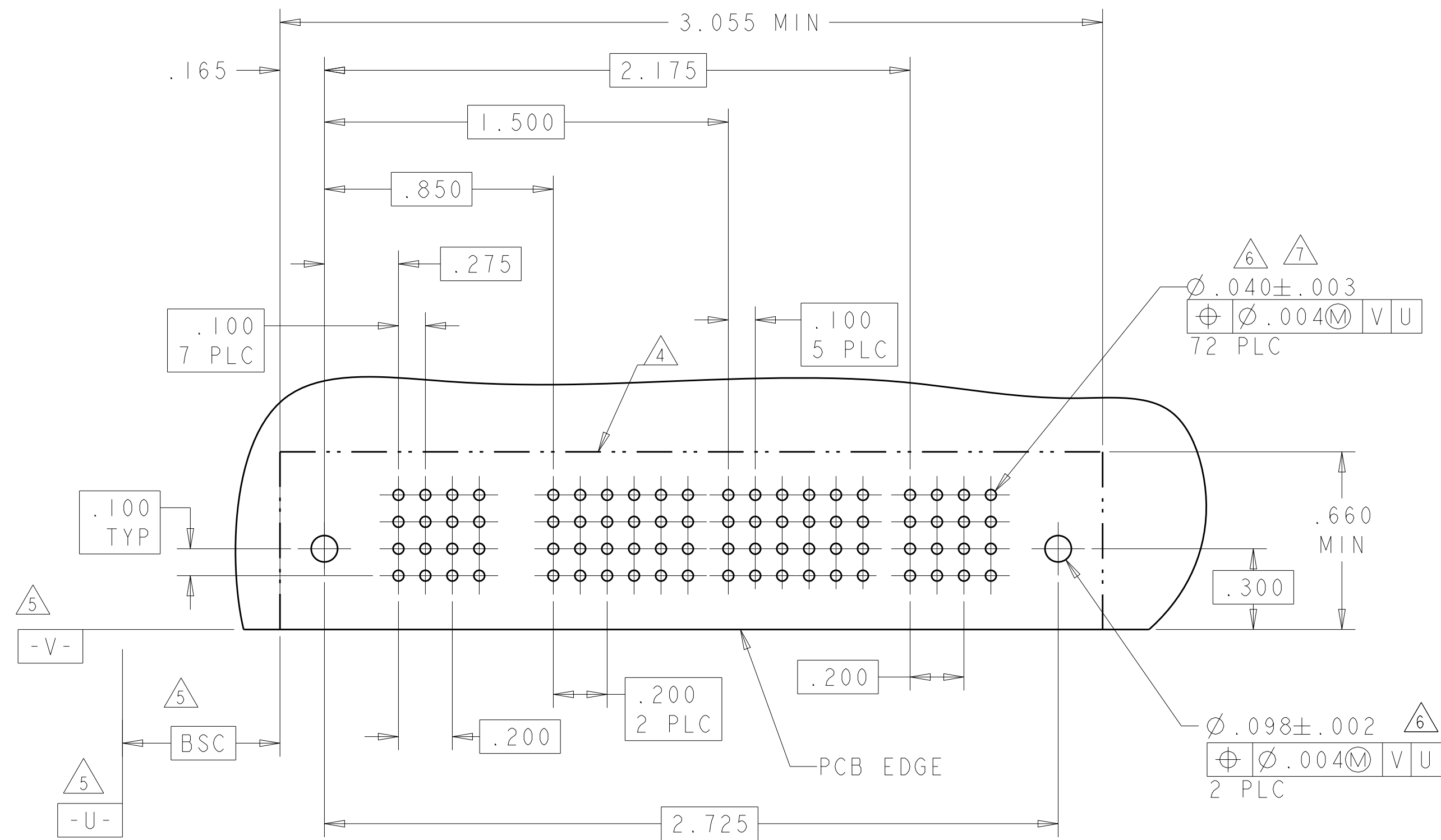
THIS DRAWING IS A CONTROLLED DOCUMENT.

DIMENSIONS:	TOLERANCES UNLESS OTHERWISE SPECIFIED:	DWN: R. GRZYBOWSKI	02FEB05
INCHES	Ø PLC ±.01	CHK: M. PERCHERKE	02FEB05
	1 PLC ±.01	APVD: M. PERCHERKE	02FEB05
	2 PLC ±.01	NAME: RIGHT ANGLE HEADER W/GUIDES ASSEMBLY MULTI-BEAM XL	
	3 PLC ±.01	PRODUCT SPEC: 108-1973	
	4 PLC ±.005	APPLICATION SPEC: 114-13038	
	ANGLES ±.002	SIZE: A1	
MATERIAL:	FINISH:	CAGE CODE DRAWING NO: 100779	
		CUSTOMER DRAWING: 6450120	
		SCALE: 4:1	
		SHEET 5 OF 24	
		REV M2	

4805 (3/11)

PART NUMBER	ROWS	POWER					SIGNAL						POWER	
		P1	P2	P3	P4	P5	1	2	3	4	5	6	P6	P7
I-6450120-1	D	PM	PM	PM	PM	J	J	J	J	J	J	PM	PM	HD
	C					K	K	K	K	K	K			
	B					N	N	N	N	N	N			
A	S	S	S	S	S	S	HD							

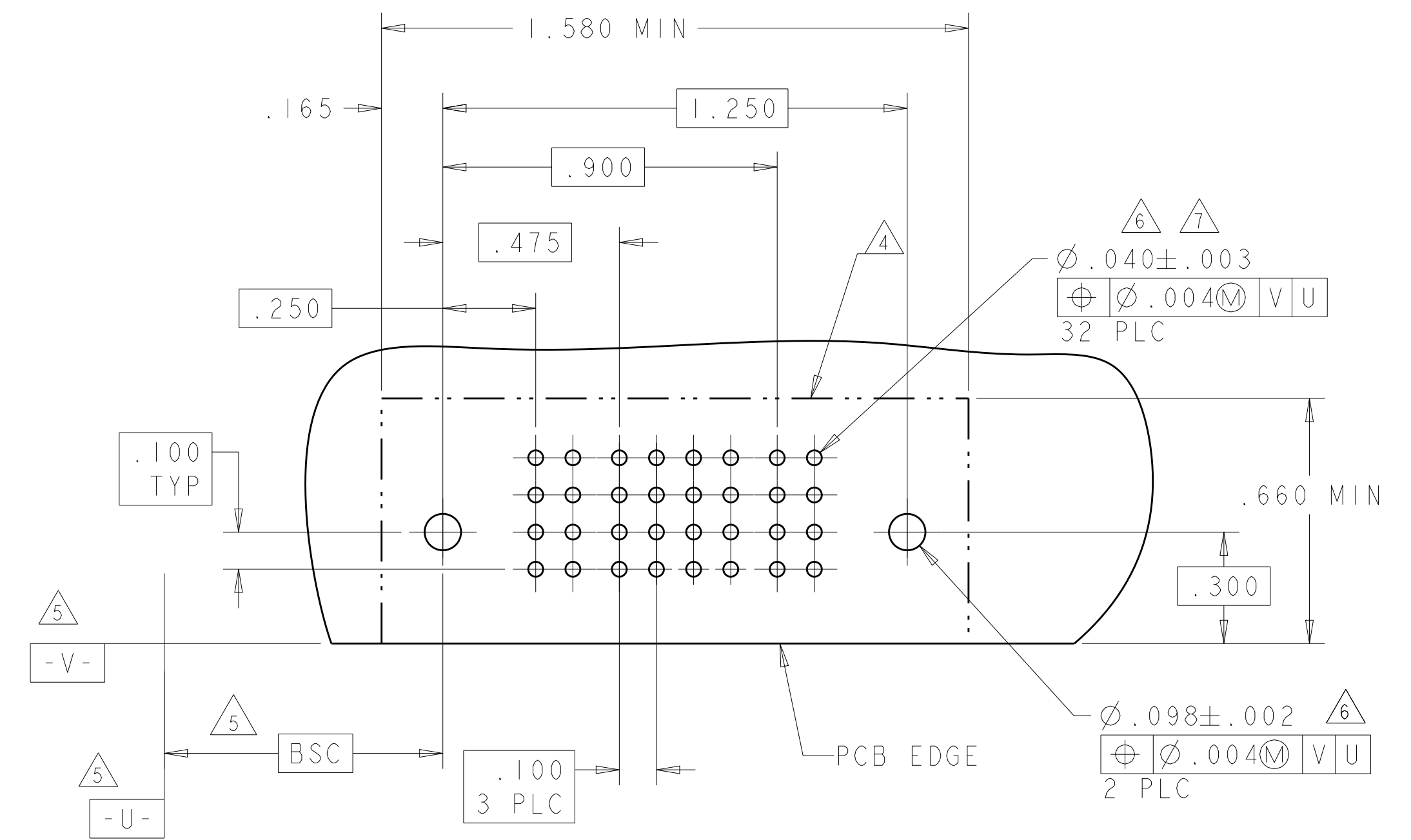
5P + 24S + 2P



LOC	DIST	REVISIONS			
ES	00	REV	DATE	BY	APP'D
		1			
		2			
		3			
		4			
		5			
		6			
		7			

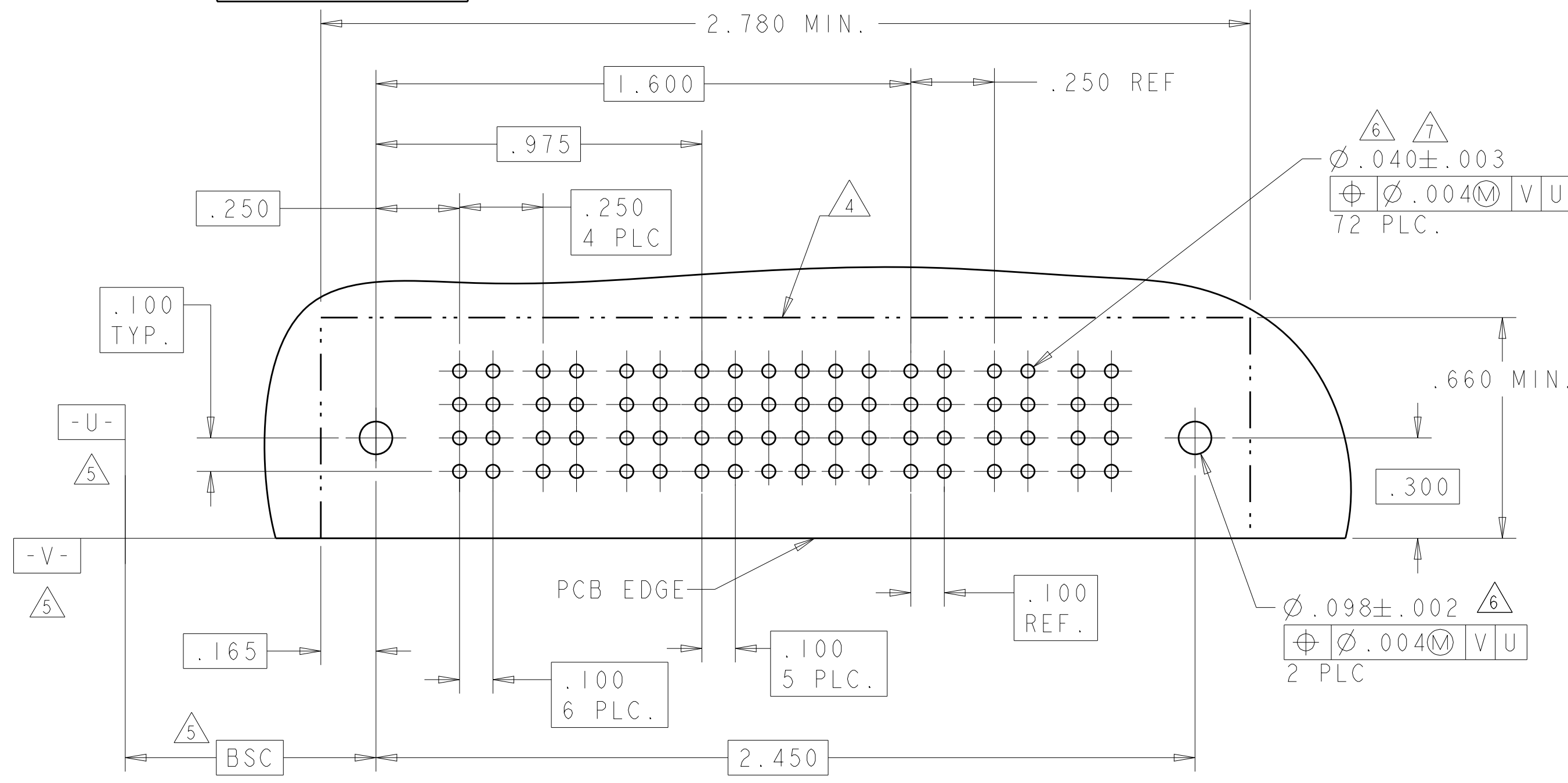
PART NUMBER	ROWS	POWER		SIGNAL				POWER	
		P1	P2	1	2	3	4	P2	
I-6450120-3	D	PM	PM	J	J	J	J	PM	HD
	C			K	K	K	K		
	B			N	N	N	N		
A	S	S	S	S	HD				

IP + 16S + IP



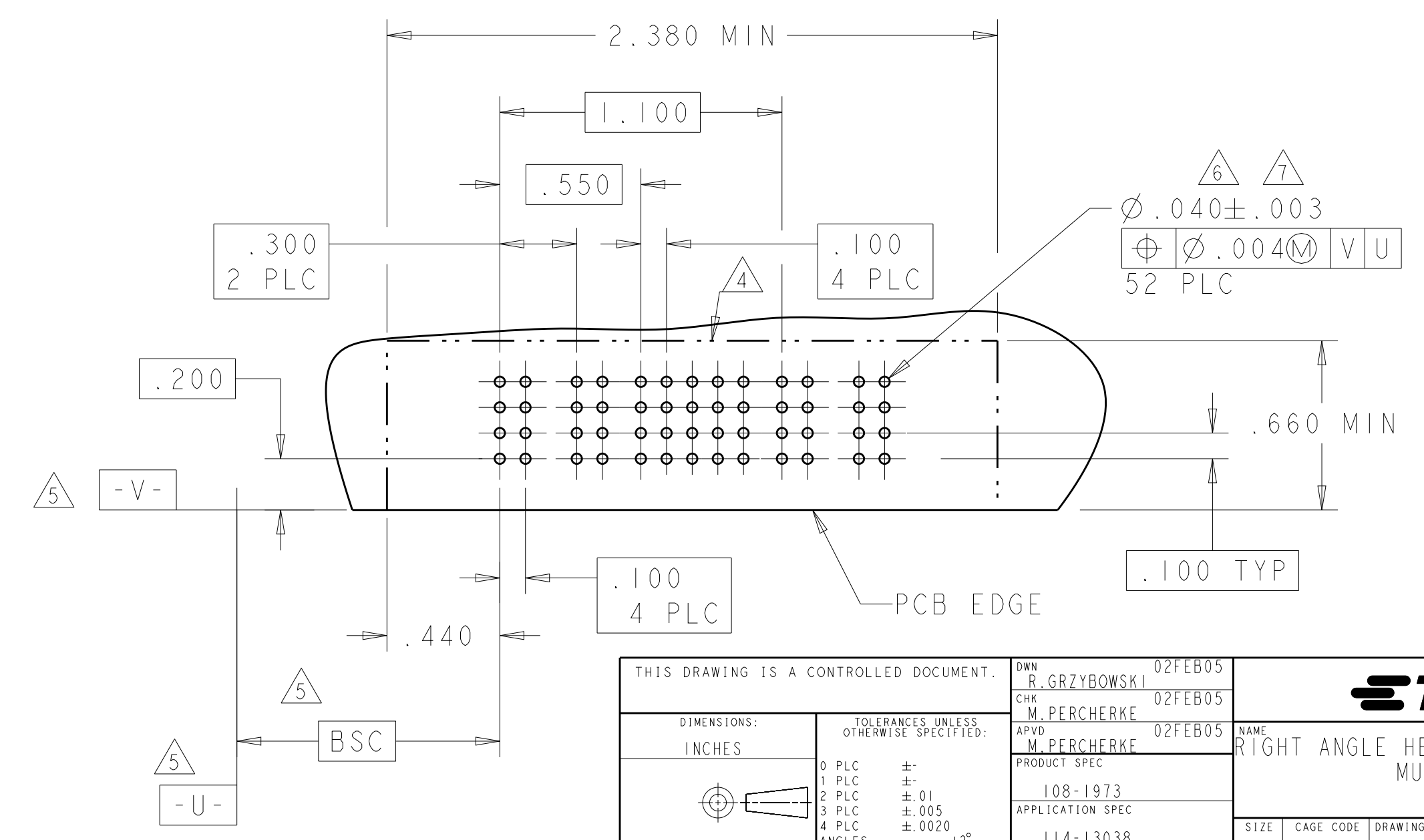
PART NUMBER	ROWS	POWER			SIGNAL						POWER			
		P1	P2	P3	1	2	3	4	5	6	P4	P5	P6	
I-6450120-2	D	PM	PM	PM	J	J	J	J	J	J	PM	PM	PM	HD
	C				K	K	K	K	K	K				
	B				N	N	N	N	N	N				
A	S	S	S	S	S	S	HD							

3P + 24S + 3P



PART NUMBER	ROWS	POWER		SIGNAL					POWER			
		P1	P2	1	2	3	4	5	P3	P4		
I-6450120-4	D	PM	PM	J	J	J	J	J	J	PM	PM	HD
	C			K	K	K	K	K				
	B			N	N	N	N	N				
A	S	S	S	S	S	HD						

2P + 20S + 2P



THIS DRAWING IS A CONTROLLED DOCUMENT. DIMENSIONS: INCHES. TOLERANCES UNLESS OTHERWISE SPECIFIED: 0 PLC ±.01, 1 PLC ±.01, 2 PLC ±.01, 3 PLC ±.01, 4 PLC ±.01, 5 PLC ±.01, 6 PLC ±.01, 7 PLC ±.01, 8 PLC ±.01, 9 PLC ±.01, 10 PLC ±.01, 11 PLC ±.01, 12 PLC ±.01, 13 PLC ±.01, 14 PLC ±.01, 15 PLC ±.01, 16 PLC ±.01, 17 PLC ±.01, 18 PLC ±.01, 19 PLC ±.01, 20 PLC ±.01, 21 PLC ±.01, 22 PLC ±.01, 23 PLC ±.01, 24 PLC ±.01, 25 PLC ±.01, 26 PLC ±.01, 27 PLC ±.01, 28 PLC ±.01, 29 PLC ±.01, 30 PLC ±.01, 31 PLC ±.01, 32 PLC ±.01, 33 PLC ±.01, 34 PLC ±.01, 35 PLC ±.01, 36 PLC ±.01, 37 PLC ±.01, 38 PLC ±.01, 39 PLC ±.01, 40 PLC ±.01, 41 PLC ±.01, 42 PLC ±.01, 43 PLC ±.01, 44 PLC ±.01, 45 PLC ±.01, 46 PLC ±.01, 47 PLC ±.01, 48 PLC ±.01, 49 PLC ±.01, 50 PLC ±.01, 51 PLC ±.01, 52 PLC ±.01, 53 PLC ±.01, 54 PLC ±.01, 55 PLC ±.01, 56 PLC ±.01, 57 PLC ±.01, 58 PLC ±.01, 59 PLC ±.01, 60 PLC ±.01, 61 PLC ±.01, 62 PLC ±.01, 63 PLC ±.01, 64 PLC ±.01, 65 PLC ±.01, 66 PLC ±.01, 67 PLC ±.01, 68 PLC ±.01, 69 PLC ±.01, 70 PLC ±.01, 71 PLC ±.01, 72 PLC ±.01, 73 PLC ±.01, 74 PLC ±.01, 75 PLC ±.01, 76 PLC ±.01, 77 PLC ±.01, 78 PLC ±.01, 79 PLC ±.01, 80 PLC ±.01, 81 PLC ±.01, 82 PLC ±.01, 83 PLC ±.01, 84 PLC ±.01, 85 PLC ±.01, 86 PLC ±.01, 87 PLC ±.01, 88 PLC ±.01, 89 PLC ±.01, 90 PLC ±.01, 91 PLC ±.01, 92 PLC ±.01, 93 PLC ±.01, 94 PLC ±.01, 95 PLC ±.01, 96 PLC ±.01, 97 PLC ±.01, 98 PLC ±.01, 99 PLC ±.01, 100 PLC ±.01.

OWN: R. GRZYBOWSKI 02FEB05  
 CHK: M. PERCHERKE 02FEB05  
 APVD: M. PERCHERKE 02FEB05  
 PRODUCT SPEC  
 108-1973  
 APPLICATION SPEC  
 114-13038  
 WEIGHT: A100779  
 CUSTOMER DRAWING  
 DATE: 02FEB05  
 NAME: RIGHT ANGLE HEADER W/GUIDES ASSEMBLY MULTI-BEAM XL  
 SIZE: 4:1  
 SHEET: 6 OF 24  
 REV: M2  
 SCALE: 4:1  
 SHEET: 6 OF 24  
 REV: M2

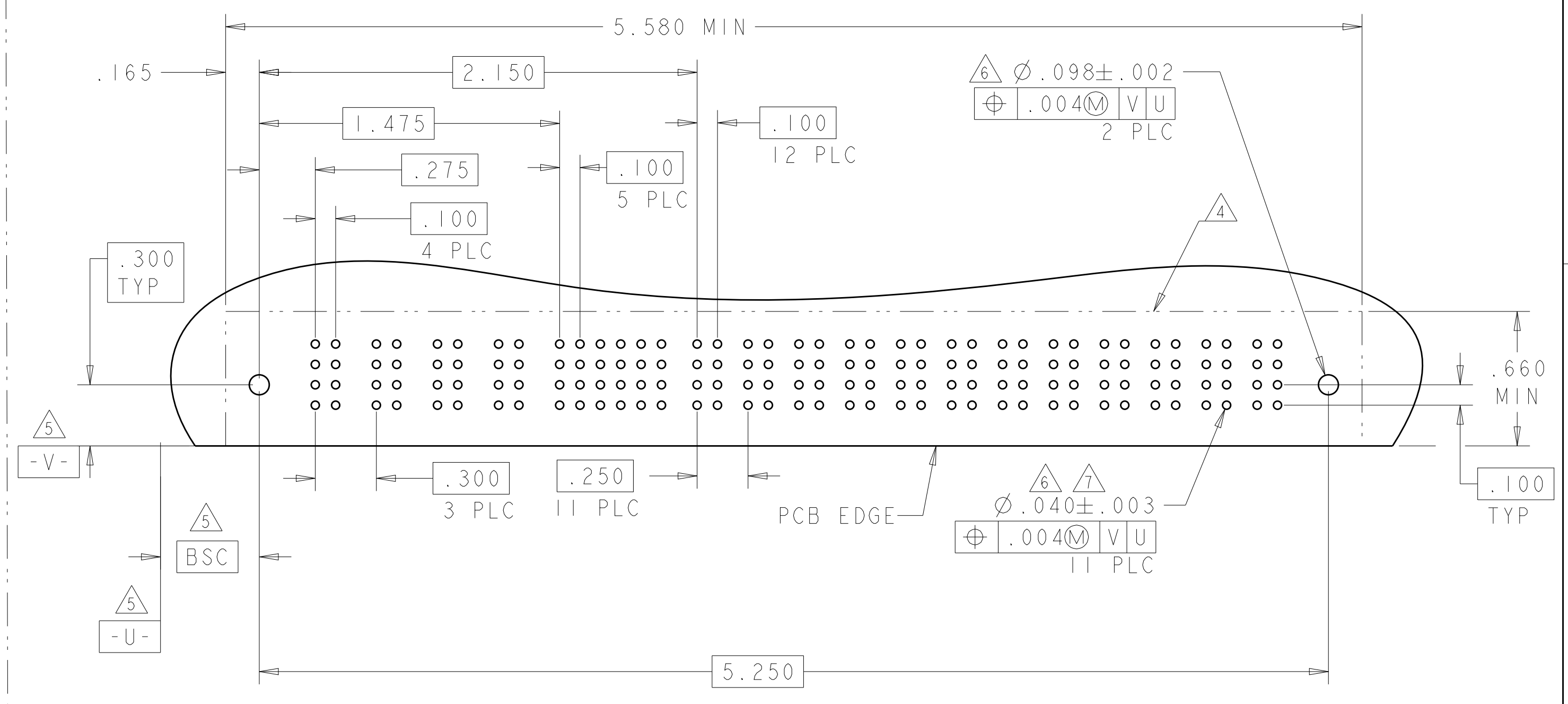
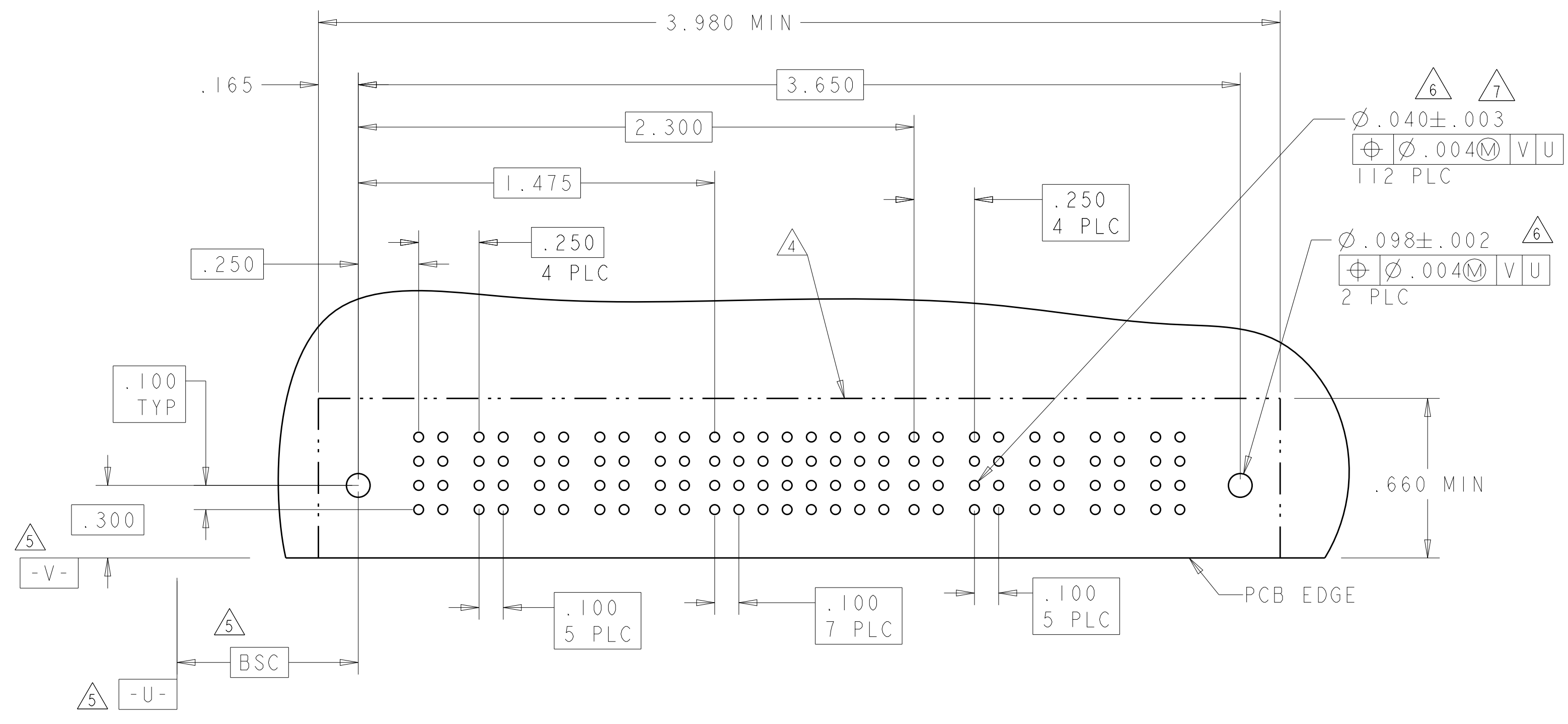




LOC		DIST		REVISIONS			
ES	00	P	LTM	DESCRIPTION	DATE	DWN	APVD
				SEE SHEET 1			

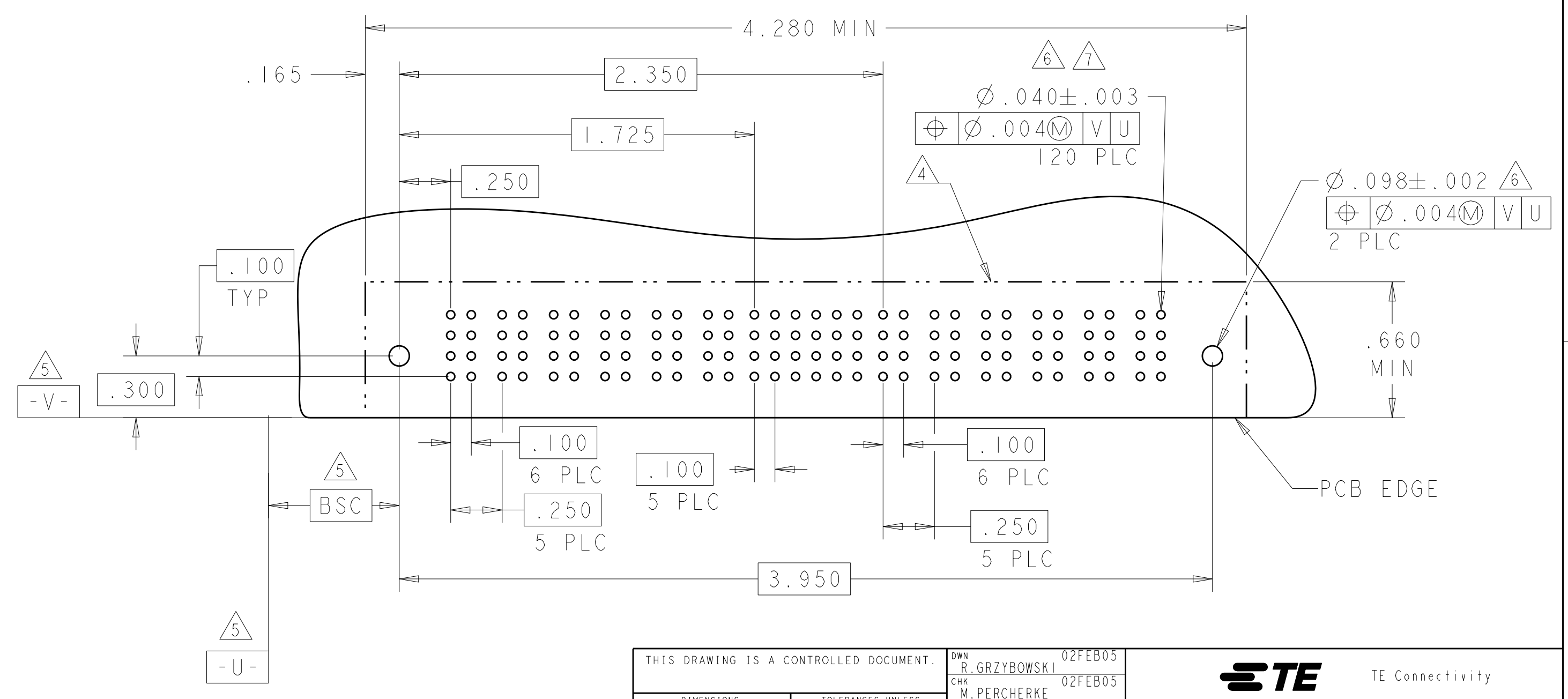
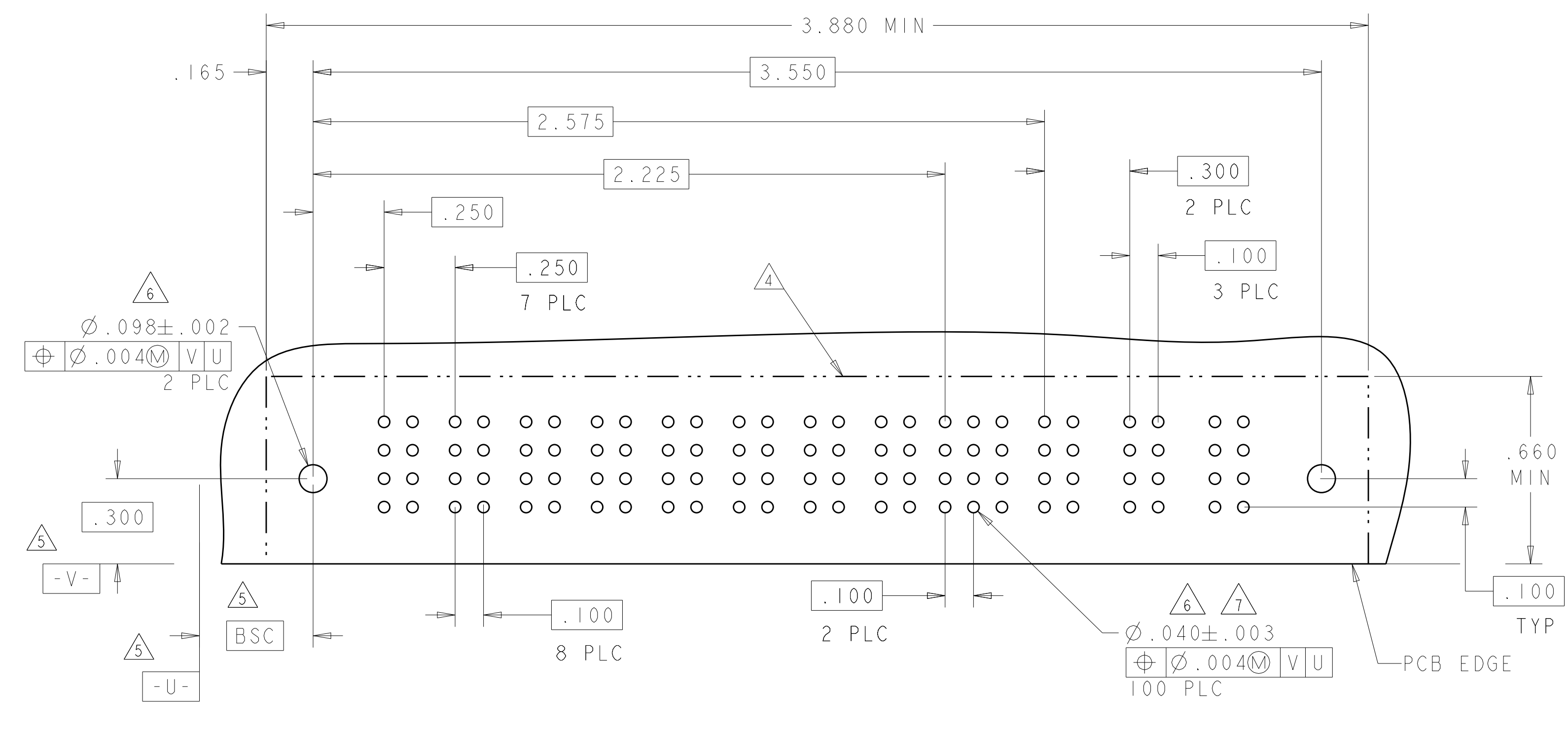
PART NUMBER	ROWS	POWER					SIGNAL								POWER				
		P1	P2	P3	P4	P5	1	2	3	4	5	6	7	8	P6	P7	P8	P9	P10
2-6450120-4	D	C B A	PM	PM	PM	PM	J	J	J	J	J	J	J	J	PM	PM	PM	PM	PM
	K						K	K	K	K	K	K	K						
	N						N	N	N	N	N	N	N						
							S	S	S	S	S	S	S						
5P + 32S + 5P																			

PART NUMBER	ROWS	AC POWER				SIGNAL						POWER												
		P1	P2	P3	P4	1	2	3	4	5	6	P5	P6	P7	P8	P9	P10	P11	P12	P13	P14	P15	P16	
2-6450120-6	D	C B A	PM	PM	PM	PM	J	J	J	J	J	J	J	PM	PM	PM	PM	PM	PM	PM	PM	PM	PM	PM
	K						K	K	K	K	K	K	K											
	N						N	N	N	N	N	N	N											
							S	S	S	S	S	S	S											
4ACP + 24S + 12P																								



PART NUMBER	ROWS	POWER								SIGNAL			POWER			
		P1	P2	P3	P4	P5	P6	P7	P8	1	2	3	P9	P10	P11	
3-6450120-3	D	C B A	PM	PM	PM	PM	PM	PM	PM	J	J	J	PM	PM	PM	
	K									K	K	K				K
	N									N	N	N				N
										S	S	S				
8P + 12S + 3ACP																

PART NUMBER	ROWS	POWER						SIGNAL						POWER						
		P1	P2	P3	P4	P5	P6	1	2	3	4	5	6	P7	P8	P9	P10	P11	P12	
2-6450120-7	D	C B A	PM	PM	PM	PM	PM	J	J	J	J	J	J	PM	PM	PM	PM	PM	PM	
	K							K	K	K	K	K	K							K
	N							N	N	N	N	N	N							N
							S	S	S	S	S	S	S							
6P + 24S + 6P																				

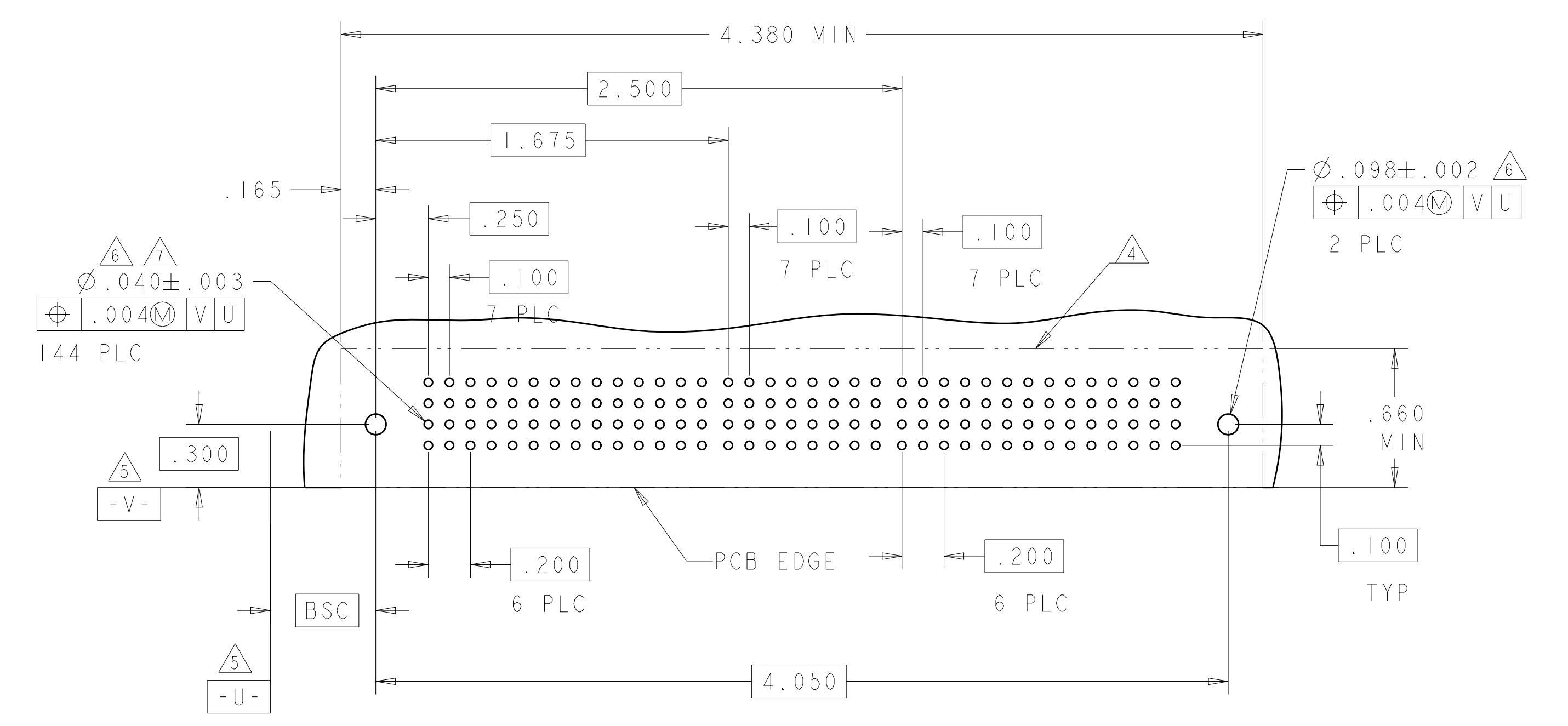


THIS DRAWING IS A CONTROLLED DOCUMENT.		DWN: R. GRZYBOWSKI 02FEB05	 TE Connectivity
DIMENSIONS: INCHES		CHK: M. PERCHERKE 02FEB05	
TOLERANCES UNLESS OTHERWISE SPECIFIED: 0 PLC ±.01 1 PLC ±.01 2 PLC ±.01 3 PLC ±.005 4 PLC ±.005 ANGLES ±.0020		APVD: M. PERCHERKE 02FEB05 PRODUCT SPEC: 108-1973 APPLICATION SPEC: 114-13038 WEIGHT: A100779 CUSTOMER DRAWING: C=6450120	NAME: RIGHT ANGLE HEADER W/GUIDES ASSEMBLY MULTI-BEAM XL SIZE: 8 OF 24 SCALE: 4:1 SHEET: 8 OF 24 REV: M2

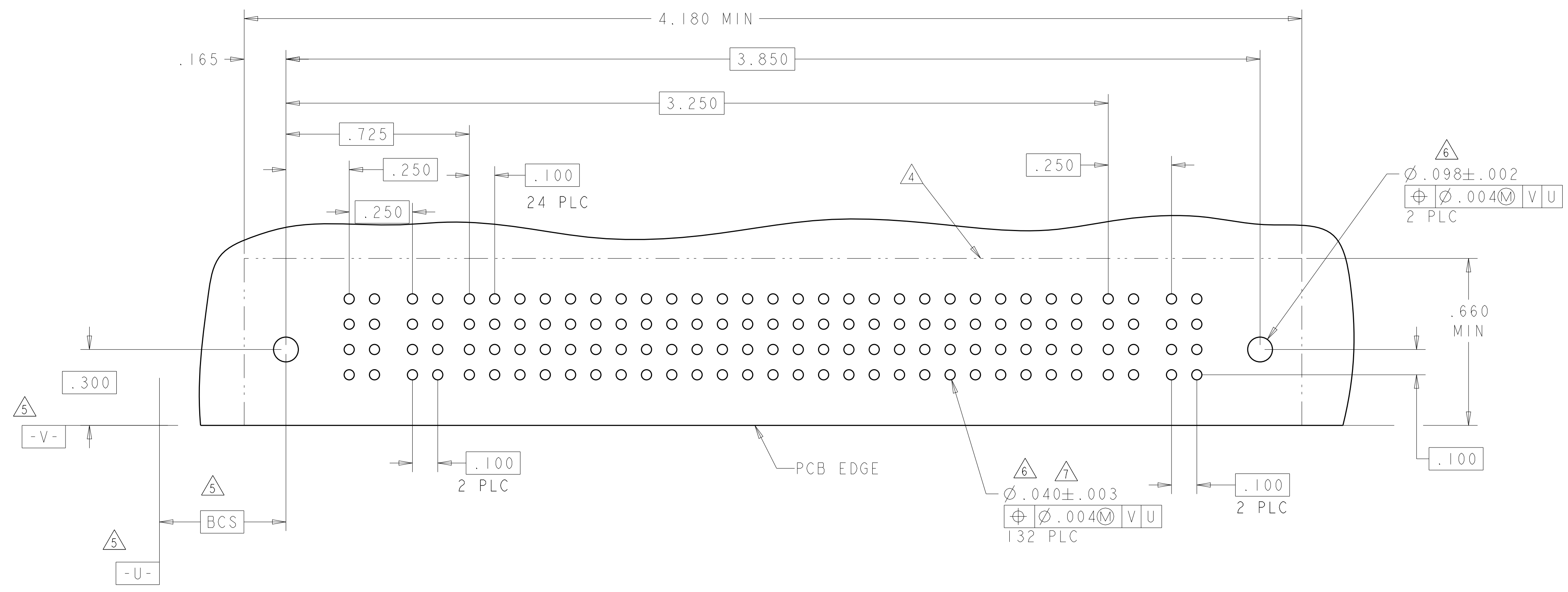


LOC		DIST		REVISIONS				
ES	00	P	LTM	DESCRIPTION	DATE	DMN	APVD	
-	-	-	-	SEE SHEET 1	-	-	-	

PART NUMBER	ROWS	POWER							SIGNAL								POWER														
		P1	P2	P3	P4	P5	P6	P7	1	2	3	4	5	6	7	8	P8	P9	P10	P11	P12	P13	P14								
3-6450120-0	D C B A								J	J	J	J	J	J	J	J															
									K	K	K	K	K	K	K	K															
									N	N	N	N	N	N	N	N															
							S	S	S	S	S	S	S	S	S																
7HDP + 32S + 7HDP																															



PART NUMBER	ROWS	POWER		SIGNAL																							POWER					
		P1	P2	1	2	3	4	5	6	7	8	9	10	11	12	13	14	15	16	17	18	19	20	21	22	23	24	25	P3	P4		
3-6450120-6	D C B A			J	J	J	J	J	J	J	J	J	J	J	J	J	J	J	J	J	J	J	J	J	J	J	J	J	J			
				K	K	K	K	K	K	K	K	K	K	K	K	K	K	K	K	K	K	K	K	K	K	K	K	K	K	K		
				N	N	N	N	N	N	N	N	N	N	N	N	N	N	N	N	N	N	N	N	N	N	N	N	N	N	N	N	
				S	S	S	S	S	S	S	S	S	S	S	S	S	S	S	S	S	S	S	S	S	S	S	S	S	S			
2P + 100S + 2P																																



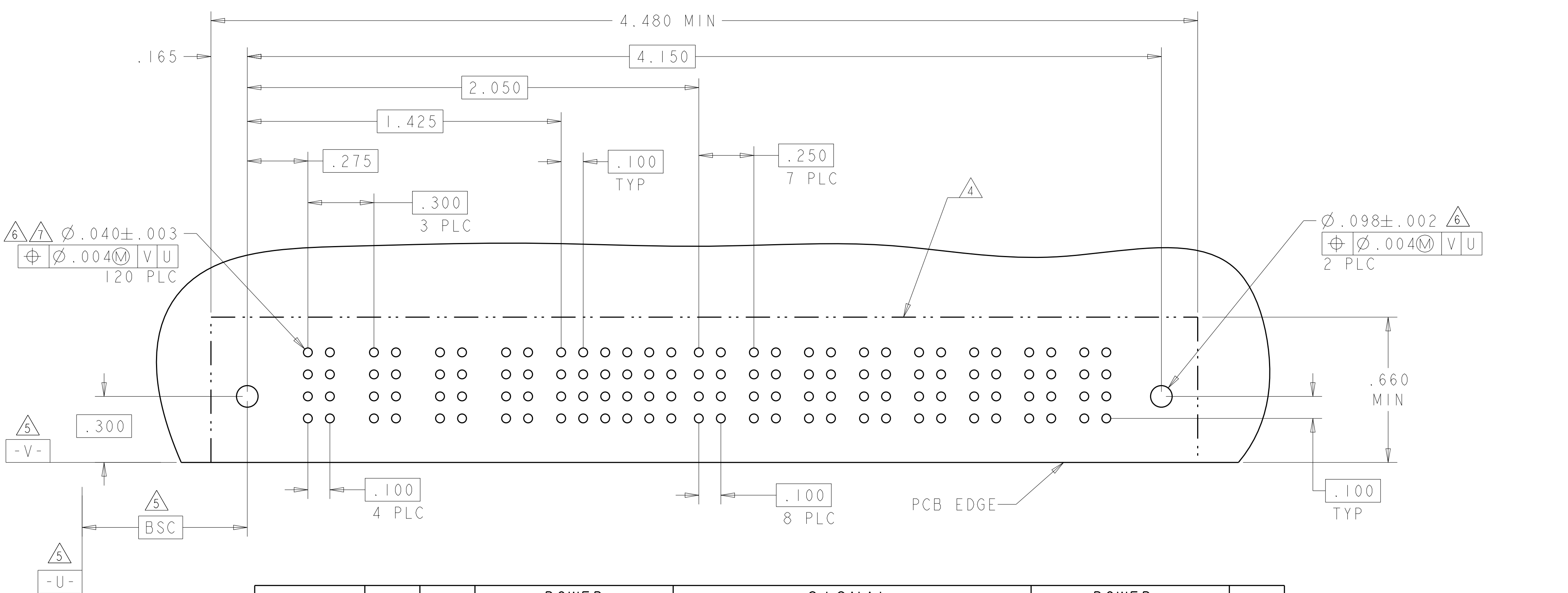
THIS DRAWING IS A CONTROLLED DOCUMENT.

DIMENSIONS: INCHES	TOLERANCES UNLESS OTHERWISE SPECIFIED:		FINISH
	0 PLC	±	
MATERIAL	1 PLC	±.01	CUSTOMER DRAWING
	2 PLC	±.05	
	3 PLC	±.0020	
	4 PLC	±.0020	

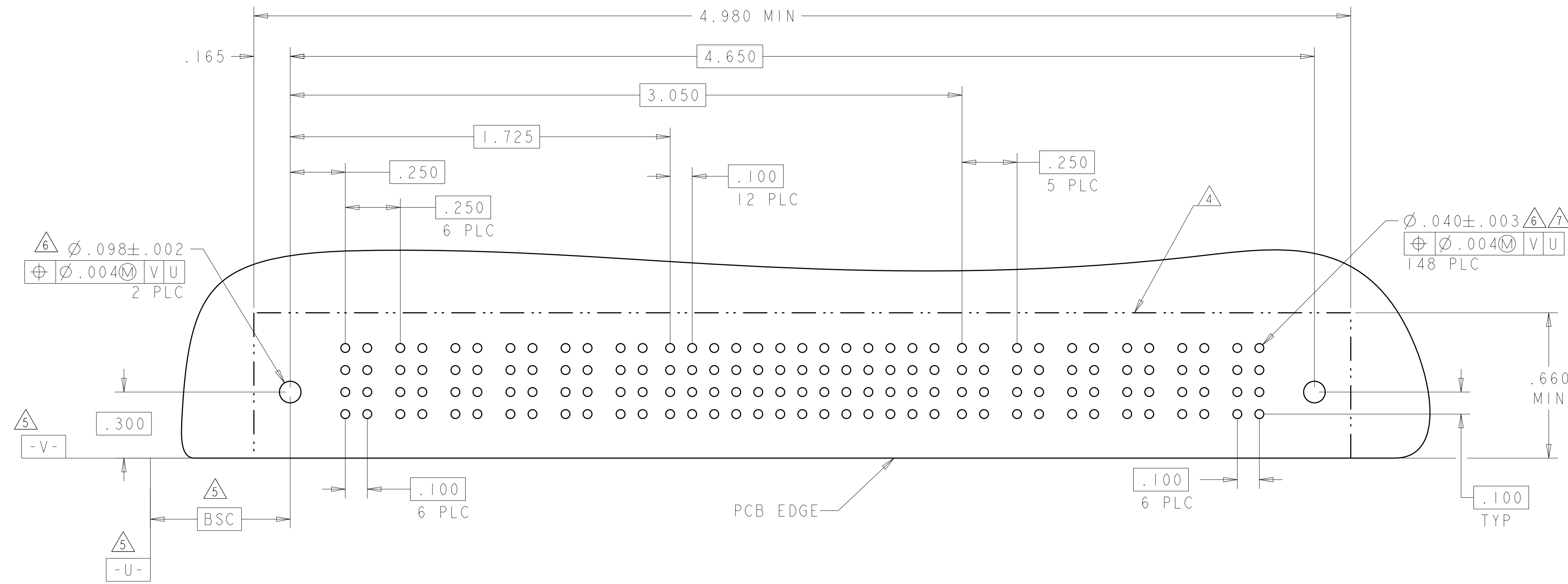
OWN: R. GRZYBOWSKI	02FEB05	<b>STE</b> TE Connectivity
CHK: M. PERCHERKE	02FEB05	
APVD: M. PERCHERKE	02FEB05	NAME: RIGHT ANGLE HEADER W/GUIDES ASSEMBLY MULTI-BEAM XL
PRODUCT SPEC: 108-1973		SIZE: A100779
APPLICATION SPEC: 114-13038		
WEIGHT	SCALE: 4:1	SHEET 9 OF 24

LOC	DIST	REV	DATE	BY	APPV
ES	00	-	-	-	-
SEE SHEET 1					

PART NUMBER	ROWS	POWER				SIGNAL						POWER							
		P1	P2	P3	P4	1	2	3	4	5	6	P5	P6	P7	P8	P9	P10	P11	P12
4-6450120-0	D C B A	PM	PM	PM	PM	J	J	J	J	J	J	PM	PM	PM	PM	PM	PM	PM	PM
						K	K	K	K	K	K								
						N	N	N	N	N	N								
						S	S	S	S	S	S								
4ACP + 24S + 8P		HD										HD							



PART NUMBER	ROWS	POWER						SIGNAL													POWER										
		P1	P2	P3	P4	P5	P6	1	2	3	4	5	6	7	8	9	10	11	12	13	P7	P8	P9	P10	P11	P12					
3-6450120-5	D C B A	PM	PM	PM	PM	PM	PM	J	J	J	J	J	J	J	J	J	J	J	J	J	J	J	J	J	J	PM	PM	PM	PM	PM	PM
								K	K	K	K	K	K	K	K	K	K	K	K	K	K	K	K	K	K						
								N	N	N	N	N	N	N	N	N	N	N	N	N	N	N	N	N	N						
								S	S	S	S	S	S	S	S	S	S	S	S	S	S	S	S	S							
6P + 52S + 6P		HD																	HD												



THIS DRAWING IS A CONTROLLED DOCUMENT. DWG: R.GRZYBOWSKI 02FEB05  
 CHK: M.PERCHEK 02FEB05  
 APVD: M.PERCHEK 02FEB05

STE TE Connectivity

NAME: RIGHT ANGLE HEADER W/GUIDES ASSEMBLY MULTI-BEAM XL

PRODUCT SPEC: 108-1973  
 APPLICATION SPEC: 114-13038

SIZE: A1 CAGE CODE: 6450120 DRAWING NO: 100779  
 WEIGHT: -  
 MATERIAL: -  
 FINISH: -

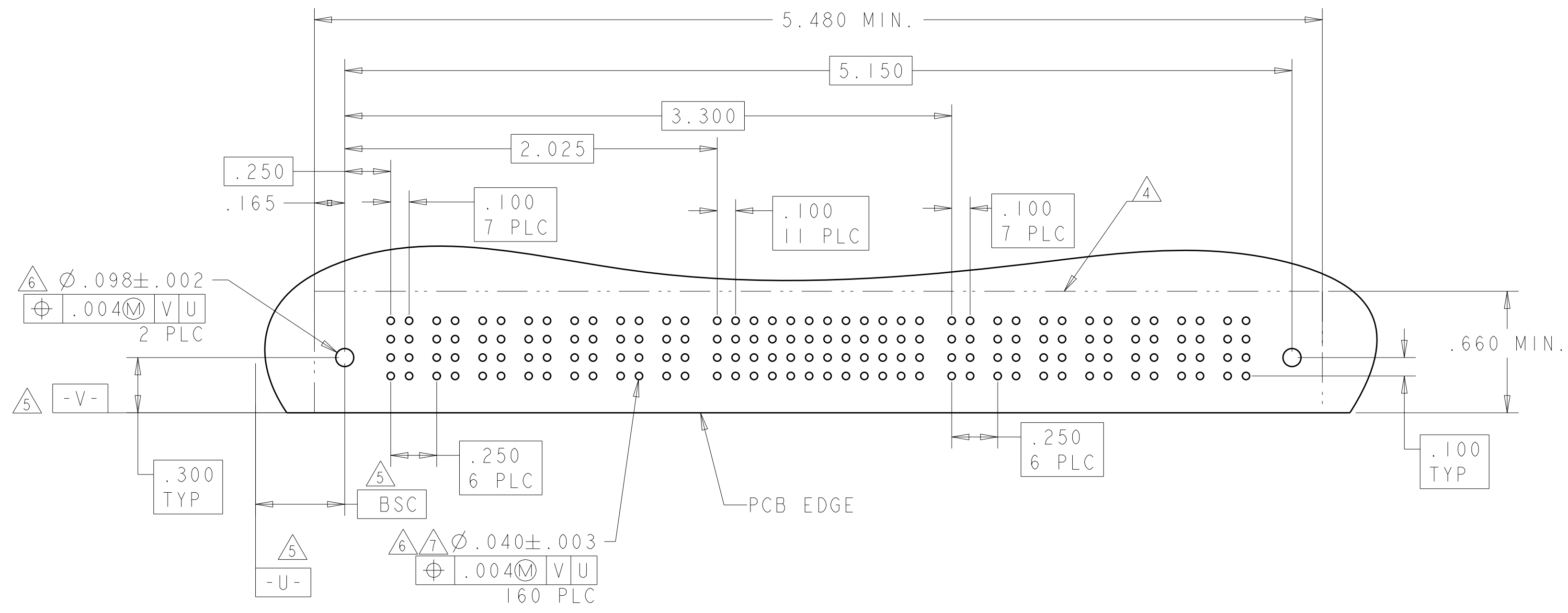
CUSTOMER DRAWING

SCALE: 4:1 SHEET: 10 OF 24 REV: M2

LOC		DIST		REVISIONS				
ES	00			P LTH	DESCRIPTION	DATE	DWN	APVD
				-	SEE SHEET 1	-	-	-

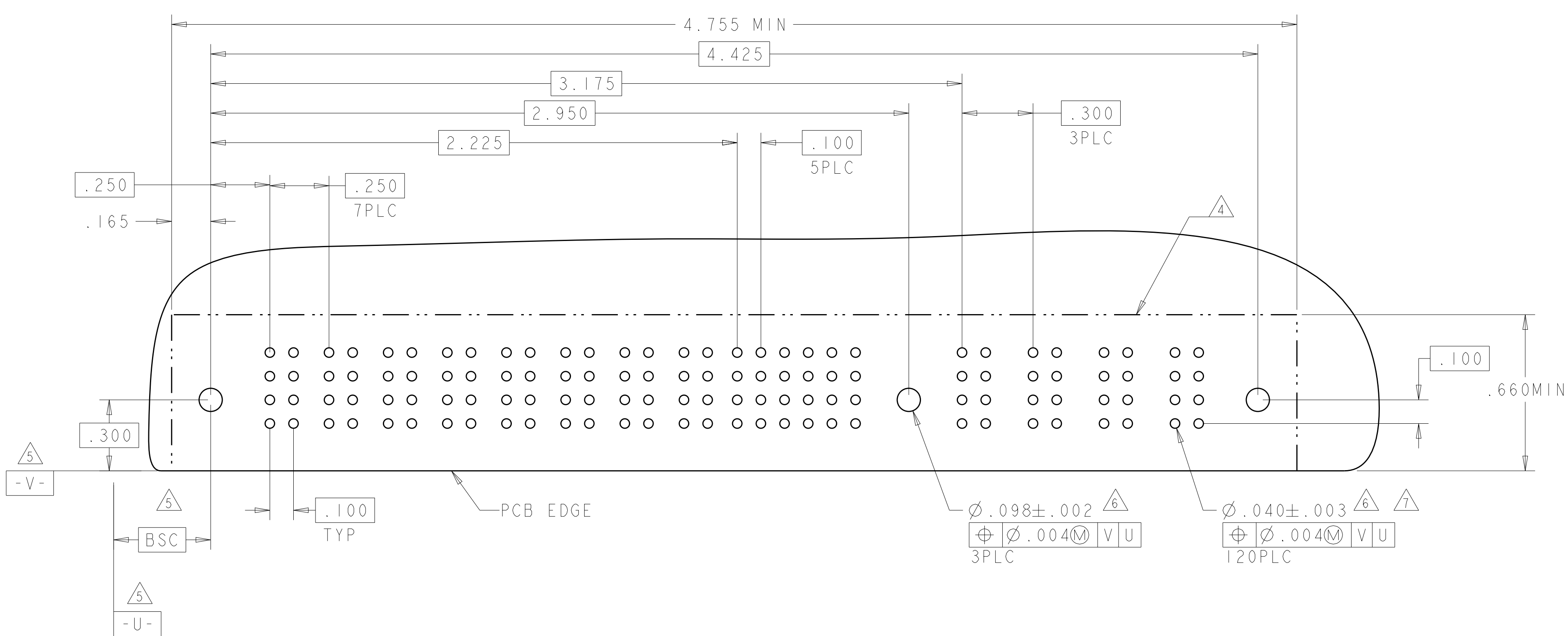
PART NUMBER	ROWS	POWER							SIGNAL												POWER																		
		P1	P2	P3	P4	P5	P6	P7	1	2	3	4	5	6	7	8	9	10	11	12	P8	P9	P10	P11	P12	P13	P14												
3-6450120-4	D C B A	PM	PM	PM	PM	PM	PM	PM	J	J	J	J	J	J	J	J	J	J	J	J	J	J	J	J	J	J	PM	PM	PM	PM	PM	PM	PM						
		PM	PM	PM	PM	PM	PM	PM	K	K	K	K	K	K	K	K	K	K	K	K	K	K	K	K	K	K	K	K	K	K	PM	PM	PM	PM	PM	PM	PM		
		PM	PM	PM	PM	PM	PM	PM	N	N	N	N	N	N	N	N	N	N	N	N	N	N	N	N	N	N	N	N	N	N	N	N	PM	PM	PM	PM	PM	PM	PM
		PM	PM	PM	PM	PM	PM	PM	S	S	S	S	S	S	S	S	S	S	S	S	S	S	S	S	S	S	S	S	S	S	S	S	PM	PM	PM	PM	PM	PM	PM

7P + 48S + 7P



PART NUMBER	ROWS	POWER								SIGNAL						POWER			
		P1	P2	P3	P4	P5	P6	P7	P8	1	2	3	4	5	6	P9	P10	P11	P12
4-6450120-2	D C B A	PM	PM	PM	PM	PM	PM	PM	PM	J	J	J	J	J	J	PM	PM	PM	PM
		PM	PM	PM	PM	PM	PM	PM	PM	K	K	K	K	K	K	PM	PM	PM	PM
		PM	PM	PM	PM	PM	PM	PM	PM	N	N	N	N	N	N	PM	PM	PM	PM
		PM	PM	PM	PM	PM	PM	PM	PM	S	S	S	S	S	S	PM	PM	PM	PM

8P + 24S + 1M + 4ACP



THIS DRAWING IS A CONTROLLED DOCUMENT. DWN: R. GRZYBOWSKI, 02FEB05, CHK: M. PERCHERKE, 02FEB05, APVD: M. PERCHERKE, 02FEB05

TE Connectivity

**STE**

RIGHT ANGLE HEADER W/GUIDES ASSEMBLY MULTI-BEAM XL

DIMENSIONS: INCHES. TOLERANCES UNLESS OTHERWISE SPECIFIED: 0 PLC ±, 1 PLC ±.01, 2 PLC ±.01, 3 PLC ±.005, 4 PLC ±.0020, ANGLES ±.2°

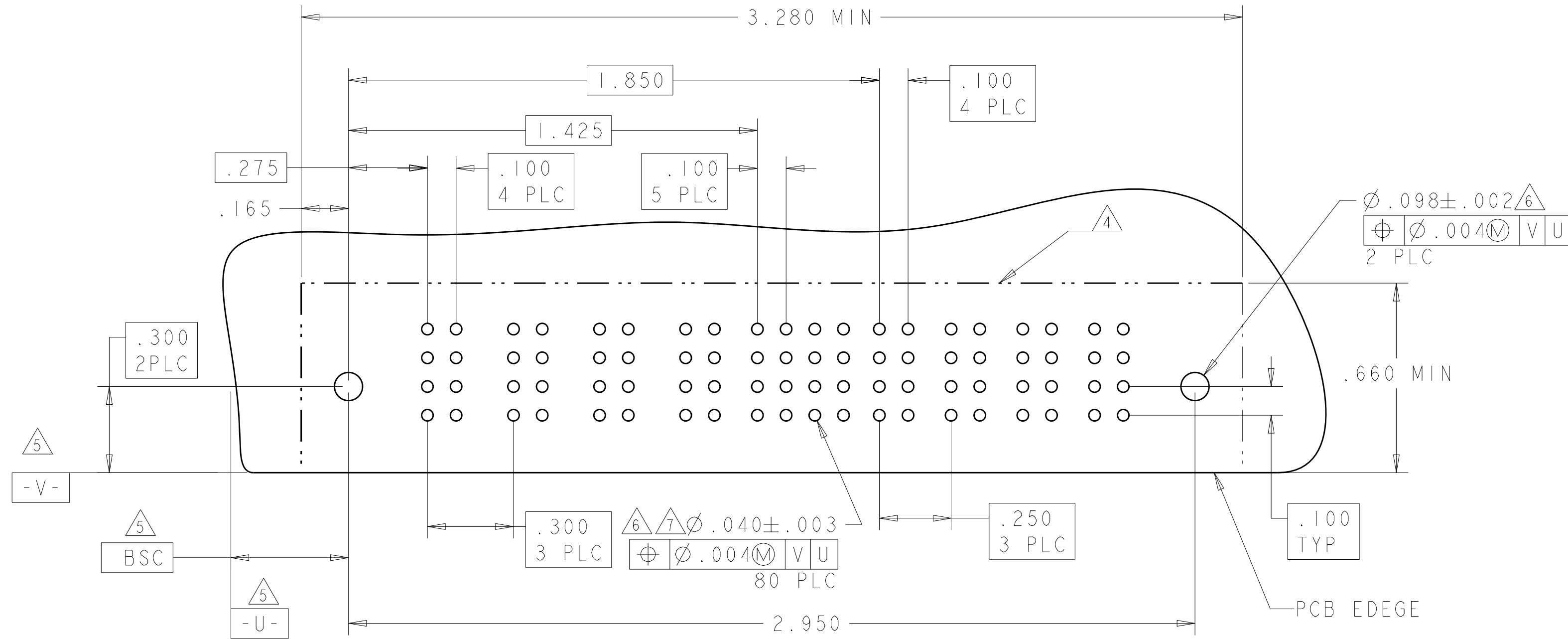
PRODUCT SPEC: 108-1973, APPLICATION SPEC: 114-13038, WEIGHT: -

SIZE: A1, CAGE CODE: 6450120, DRAWING NO: 100779, SHEET 11 OF 24, REV M2

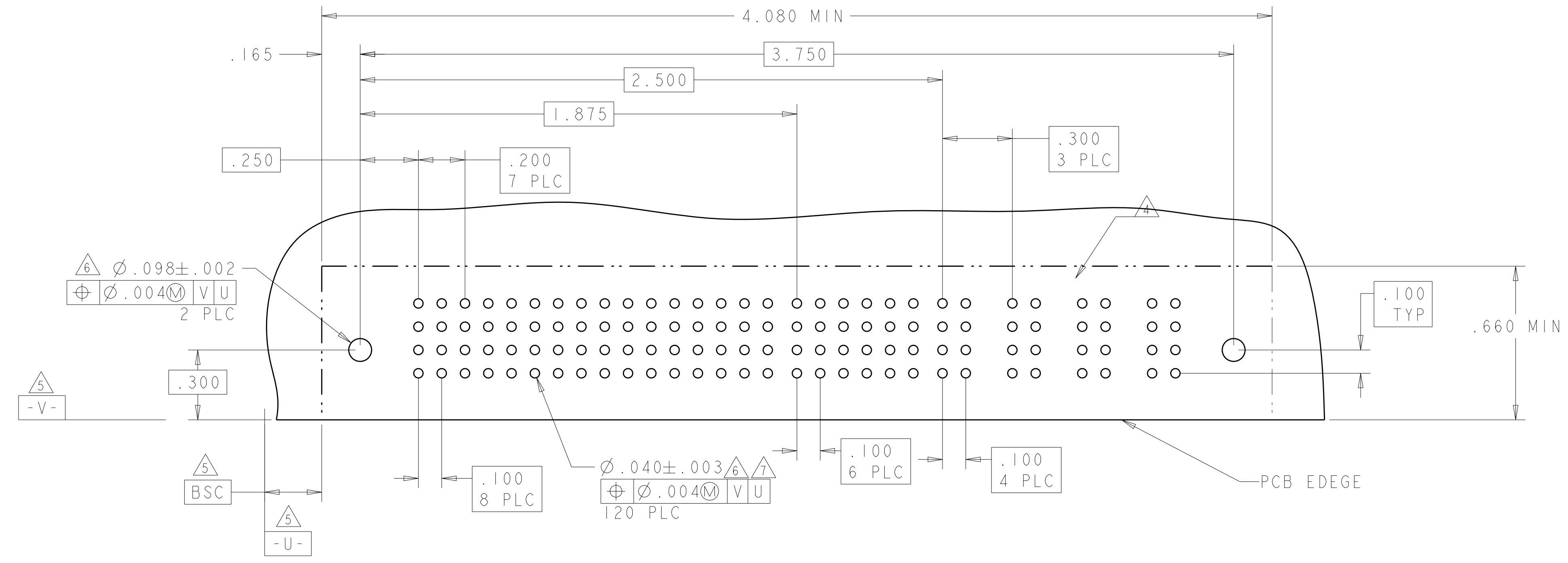
CUSTOMER DRAWING. SCALE: 4:1

LOC		DIST		REVISIONS			
ES	00	P	LTH	DESCRIPTION	DATE	DWN	APVD
		-		SEE SHEET 1			

PART NUMBER	ROWS	POWER				SIGNAL				POWER			
		P1	P2	P3	P4	1	2	3	4	P5	P6	P7	P8
4-6450120-3	D C B A	PM	PM	PM	PM	J	J	J	J	PM	PM	PM	PM
						K	K	K	K				
						N	N	N	N				
						S	S	S	S				
4ACP + 16S + 4P													



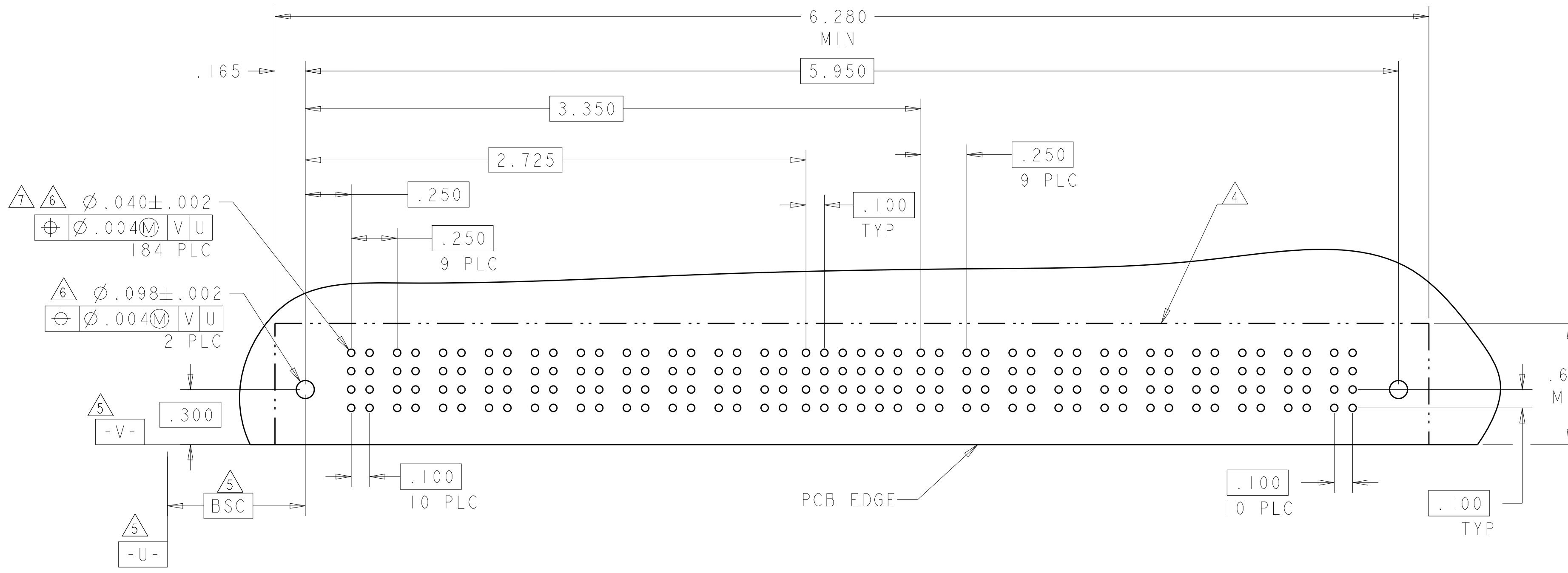
PART NUMBER	ROWS	POWER								SIGNAL						POWER			
		P1	P2	P3	P4	P5	P6	P7	P8	1	2	3	4	5	6	P9	P10	P11	P12
4-6450120-4	D C B A	PM	PM	PM	PM	PM	PM	PM	PM	J	J	J	J	J	J	PM	PM	PM	PM
										K	K	K	K	K	K				
										N	N	N	N	N	N				
										S	S	S	S	S	S				
8P + 24S + 4ACP																			



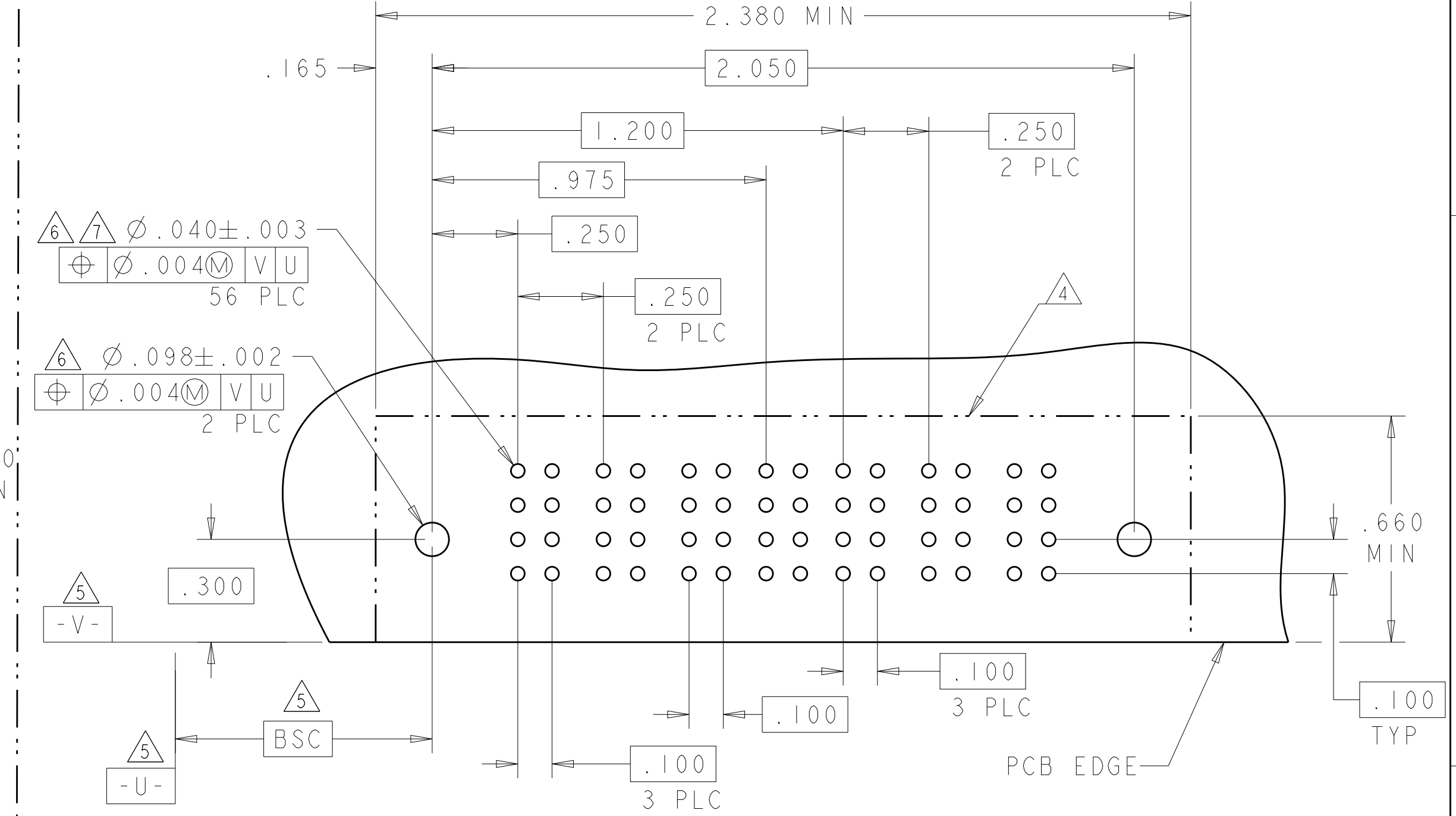
THIS DRAWING IS A CONTROLLED DOCUMENT. DWN: R. GRZYBOWSKI, 02FEB05, CHK: M. PERCHERKE, 02FEB05, APVD: M. PERCHERKE, 02FEB05. NAME: RIGHT ANGLE HEADER W/GUIDES ASSEMBLY MULTI-BEAM XL. DIMENSIONS: INCHES. TOLERANCES UNLESS OTHERWISE SPECIFIED: 0 PLC ±.01, 1 PLC ±.01, 2 PLC ±.01, 3 PLC ±.005, 4 PLC ±.0020, ANGLES ±.2°. MATERIAL: FINISH: WEIGHT: 114-13038. SCALE: 4:1, SHEET 12 OF 24, REV M2.

LOC	DIST	REVISIONS					
ES	00	P	LTN	DESCRIPTION	DATE	OWN	APVD
		-		SEE SHEET 1			

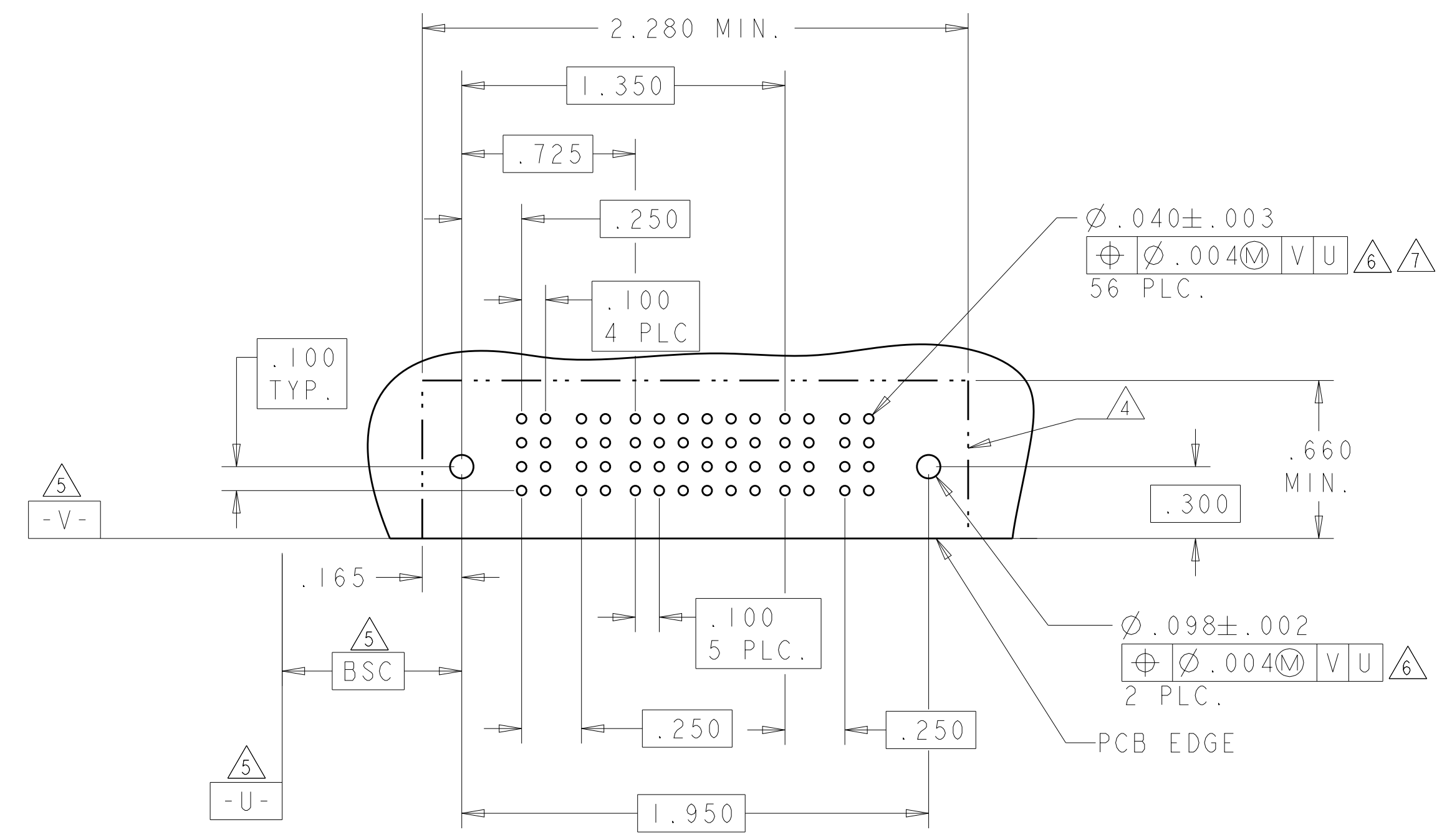
PART NUMBER	ROWS	POWER									SIGNAL						POWER									
		P1	P2	P3	P4	P5	P6	P7	P8	P9	P10	1	2	3	4	5	6	P11	P12	P13	P14	P15	P16	P17	P18	P19
4-6450120-5	D C B A	PM	PM	PM	PM	PM	PM	PM	PM	PM	J	J	J	J	J	J	PM	PM	PM	PM	PM	PM	PM	PM	PM	PM
											K	K	K	K	K	K										
											N	N	N	N	N	N										
		S		S		S		S		S		S		S												
10P + 24S + 10P		HD		HD		HD		HD		HD		HD		HD		HD		HD		HD		HD		HD		



PART NUMBER	ROWS	POWER			SIGNAL		POWER		
		P1	P2	P3	1	2	P4	P5	P6
4-6450120-6	D C B A	PM	PM	PM	J	J	PM	PM	PM
					K	K			
					N	N			
		S		S					
3P + 8S + 3P		HD		HD		HD		HD	



PART NUMBER	ROWS	POWER		SIGNAL						POWER	
		P1	P2	1	2	3	4	5	6	P3	P4
4-6450120-7	D C B A	PM	PM	J	J	J	J	J	J	PM	PM
				K	K	F	K	K	K		
				N	N	G	N	N	N		
		S		S		S		S			
2P + 24S + 2P		HD		HD		HD		HD		HD	



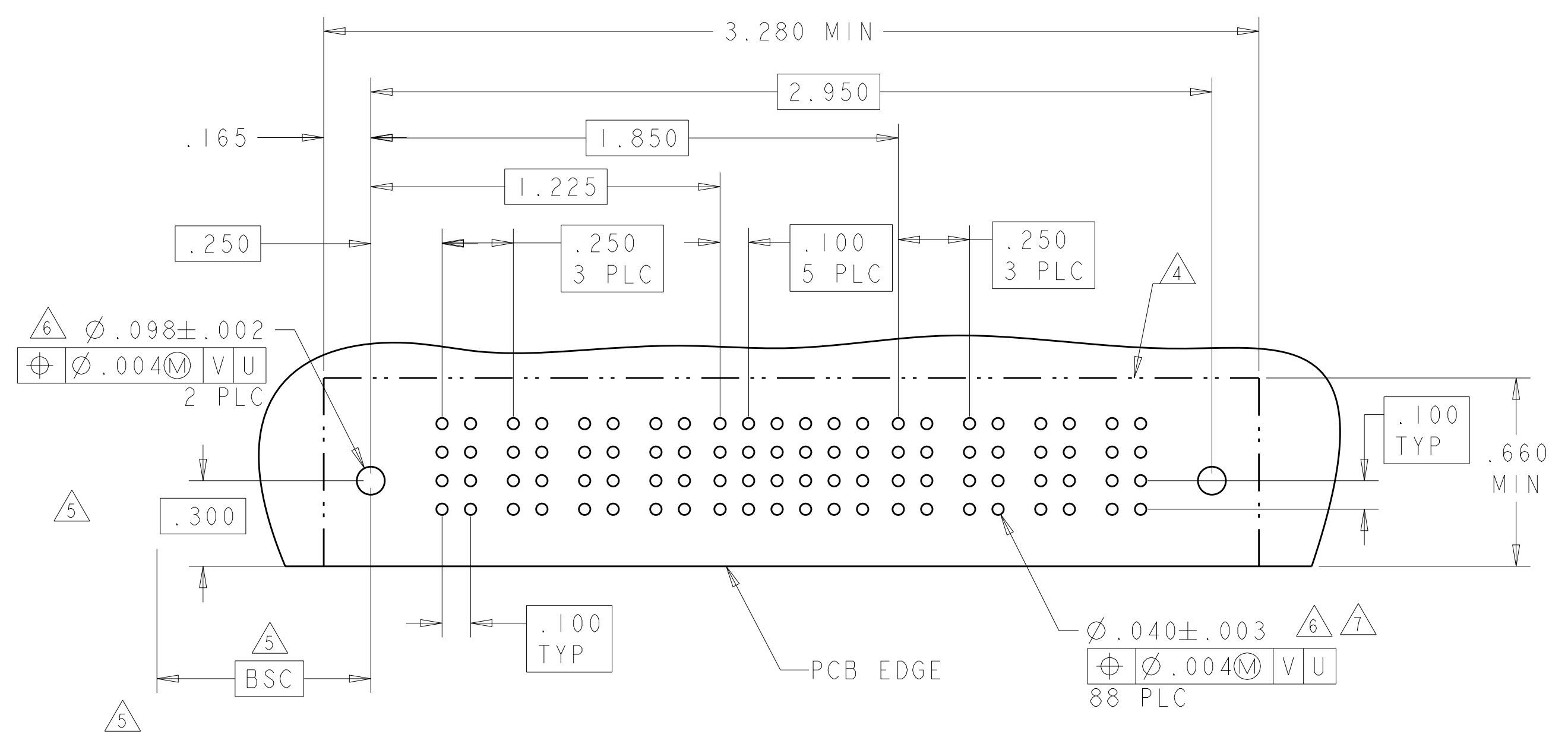
THIS DRAWING IS A CONTROLLED DOCUMENT.

DIMENSIONS:	TOLERANCES UNLESS OTHERWISE SPECIFIED:	OWN: R. GRZYBOWSKI 02FEB05	CHK: M. PERCHERKE 02FEB05	APVD: M. PERCHERKE 02FEB05	NAME: RIGHT ANGLE HEADER W/GUIDES ASSEMBLY MULTI-BEAM XL
INCHES	0 PLC ±.01 1 PLC ±.01 2 PLC ±.01 3 PLC ±.01 4 PLC ±.005 ANGLES ±.002	PRODUCT SPEC: 108-1973	APPLICATION SPEC: 114-13038	WEIGHT: -	RESTRICTED TO: -
MATERIAL: -	FINISH: -	SIZE: A1	CAGE CODE: 100779	DRAWING NO: C=6450120	SCALE: 4:1
CUSTOMER DRAWING				SHEET 13 OF 24	REV M2

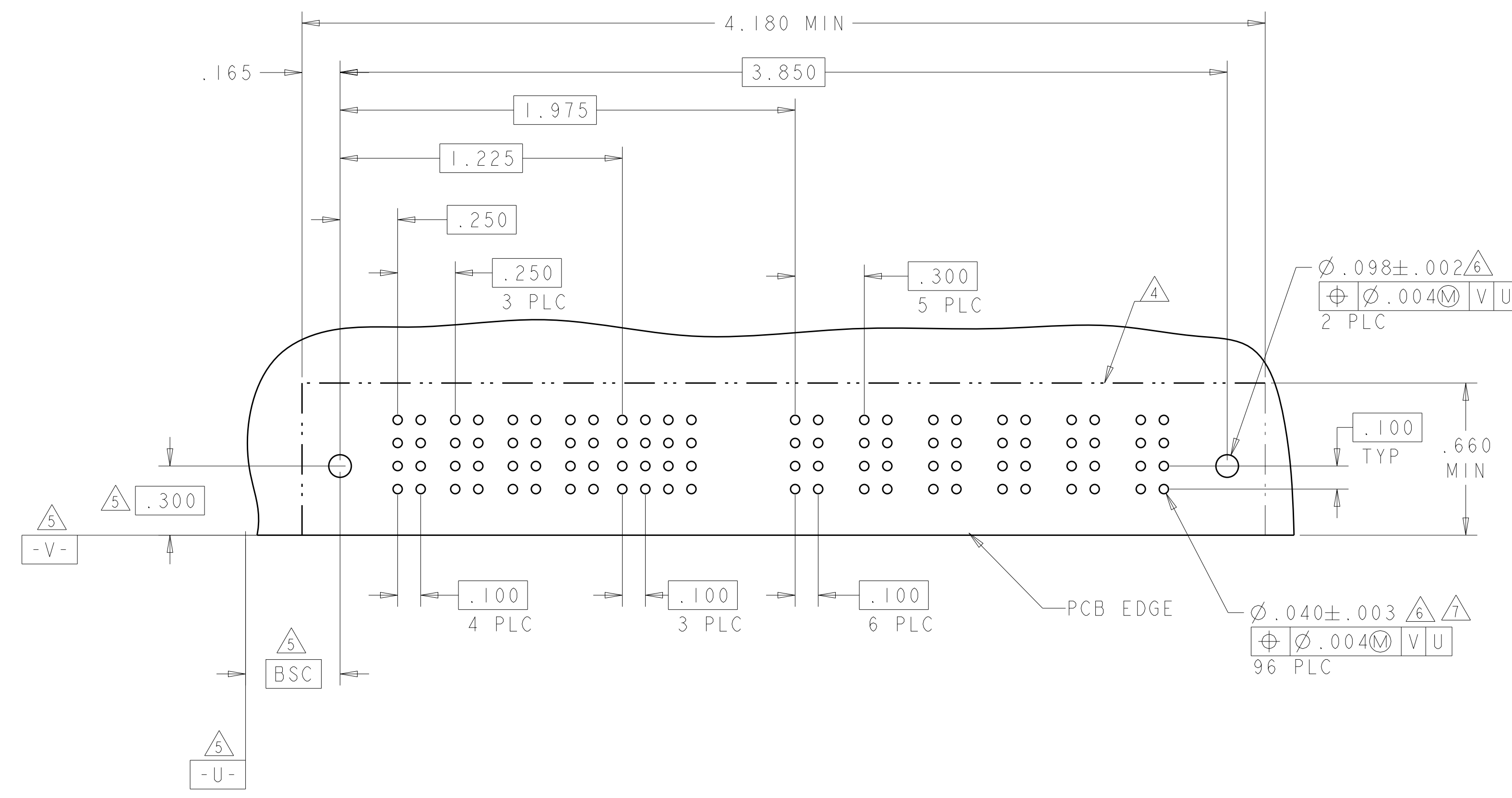
STE TE Connectivity

LOC	DIST	REVISIONS			
P	LTN	DESCRIPTION	DATE	DMN	APVD
ES	00	SEE SHEET 1	-	-	-

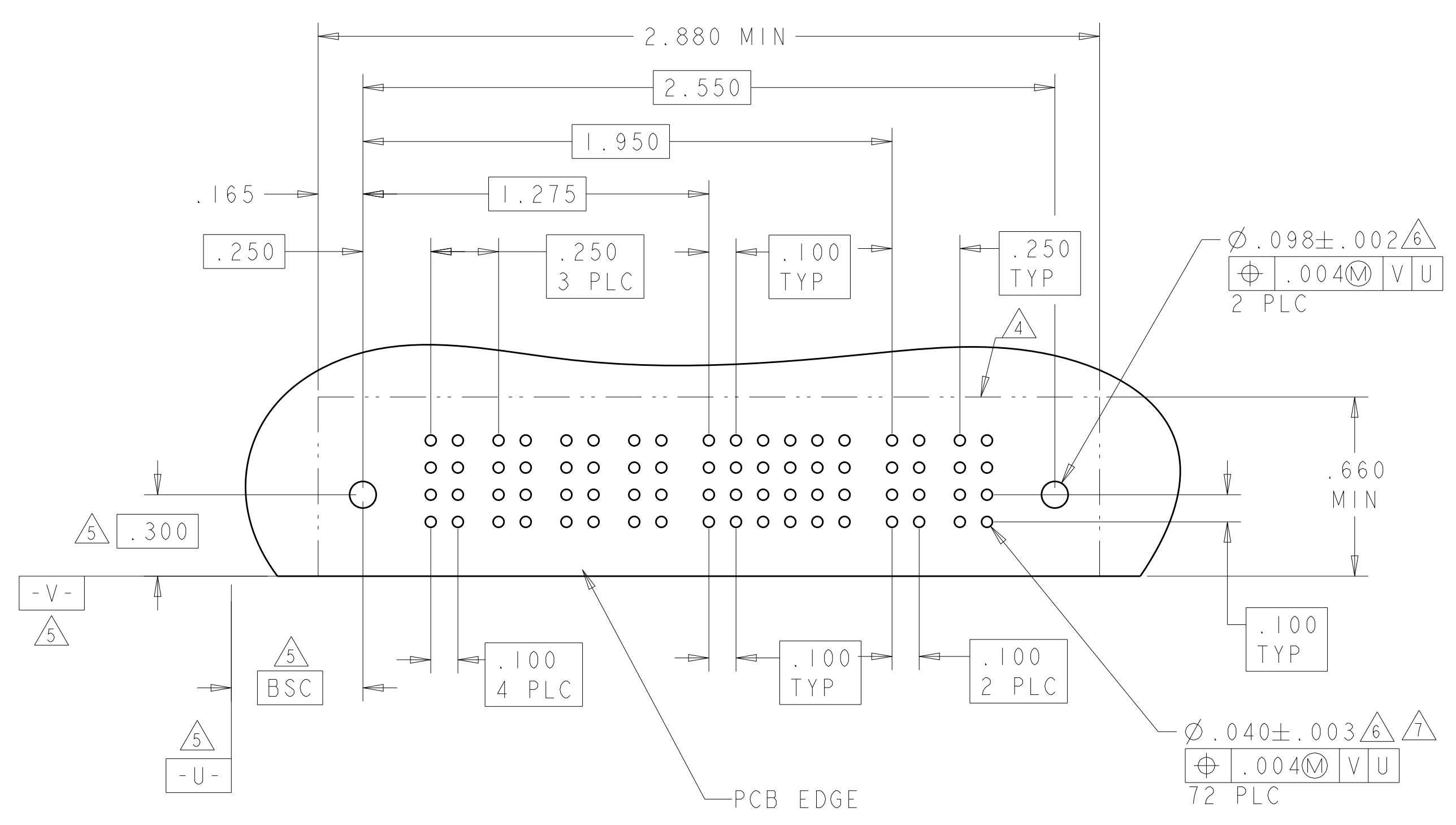
PART NUMBER	ROWS	POWER				SIGNAL						POWER			
		P1	P2	P3	P4	1	2	3	4	5	6	P5	P6	P7	P8
4-6450120-8	D	PM	PM	PM	PM	J	J	J	J	J	J	PM	PM	PM	PM
	C					K	K	K	K	K					
	B					N	N	N	N	N					
	A					S	S	S	S	S					
4P + 24S + 4P															



PART NUMBER	ROWS	POWER				SIGNAL				POWER						
		P1	P2	P3	P4	1	2	3	4	P5	P6	P7	P8	P9	P10	P11
5-6450120-0	D	PM	PM	PM	PM	J	J	J	J	PM	PM	PM	PM	PM	PM	
	C					K	K	K	K							
	B					N	N	N	N							
	A					S	S	S	S							
4P + 16S + 7ACP																



PART NUMBER	ROWS	POWER				SIGNAL						POWER	
		P1	P2	P3	P4	1	2	3	4	5	6	P5	P6
2-6450120-5	D	PM	PM	PM	PM	J	J	J	J	J	J	PM	PM
	C					K	K	K	K	K			
	B					N	N	N	N	N			
	A					S	S	S	S	S			
4P + 24S + 2P													



THIS DRAWING IS A CONTROLLED DOCUMENT.

DMN: R. GRZYBOWSKI 02FEB05	CHK: M. PERCHERKE 02FEB05	APVD: M. PERCHERKE 02FEB05	NAME: RIGHT ANGLE HEADER W/GUIDES ASSEMBLY MULTI-BEAM XL
DIMENSIONS: INCHES		TOLERANCES UNLESS OTHERWISE SPECIFIED:	
0 PLC ±.01		1 PLC ±.01	
2 PLC ±.01		3 PLC ±.005	
4 PLC ±.0020		ANGLES ±.020	
FINISH: -		MATERIAL: -	

STE TE Connectivity

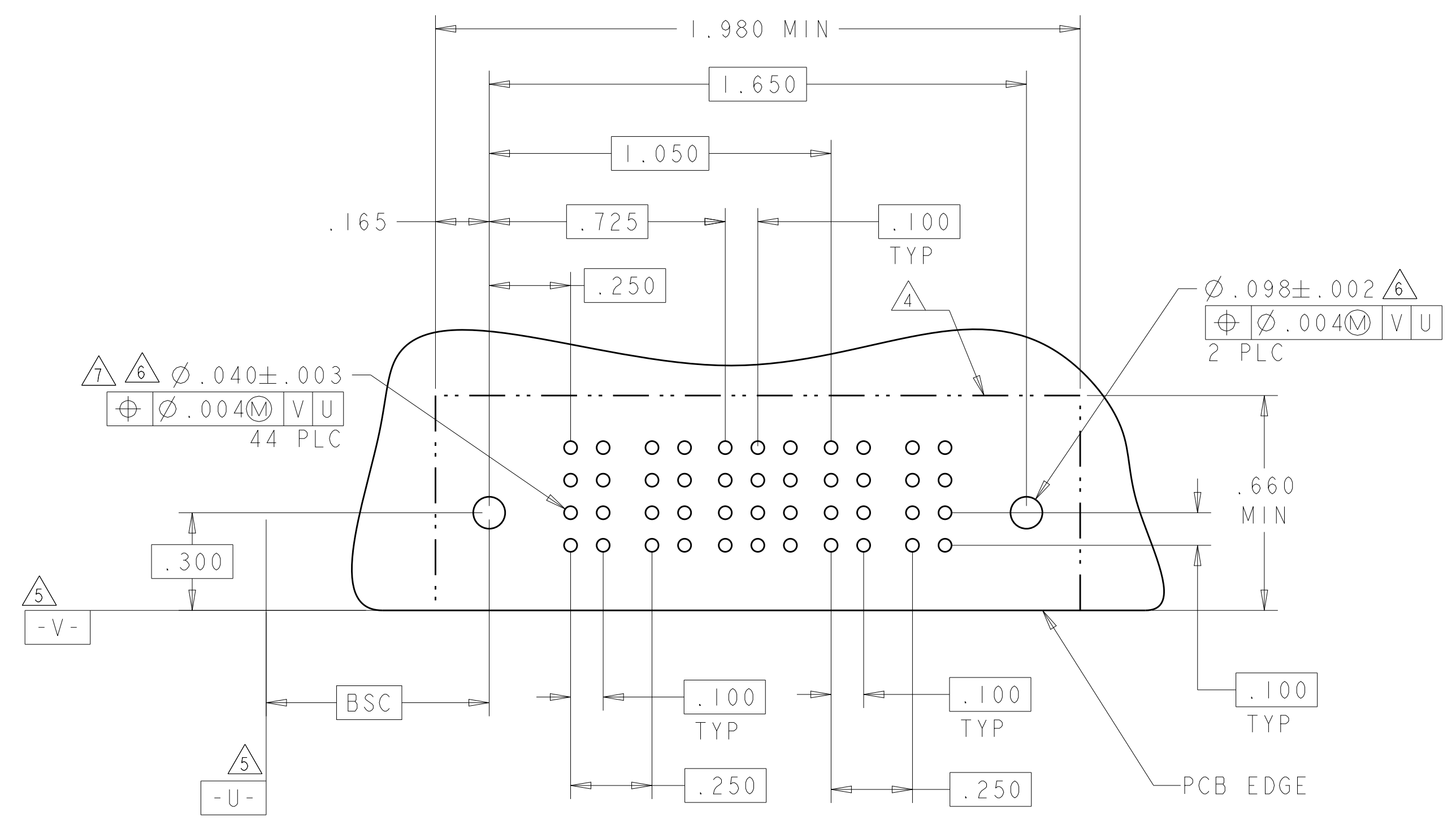
SIZE: 108-1973 APPLICATION SPEC: 114-13038 WEIGHT: -

SCALE: 4:1 SHEET 14 OF 24 REV: M2



LOC	DIST	REVISIONS					
		P	LTN	DESCRIPTION	DATE	DWN	APVD
ES	00	-	-	SEE SHEET 1	-	-	-

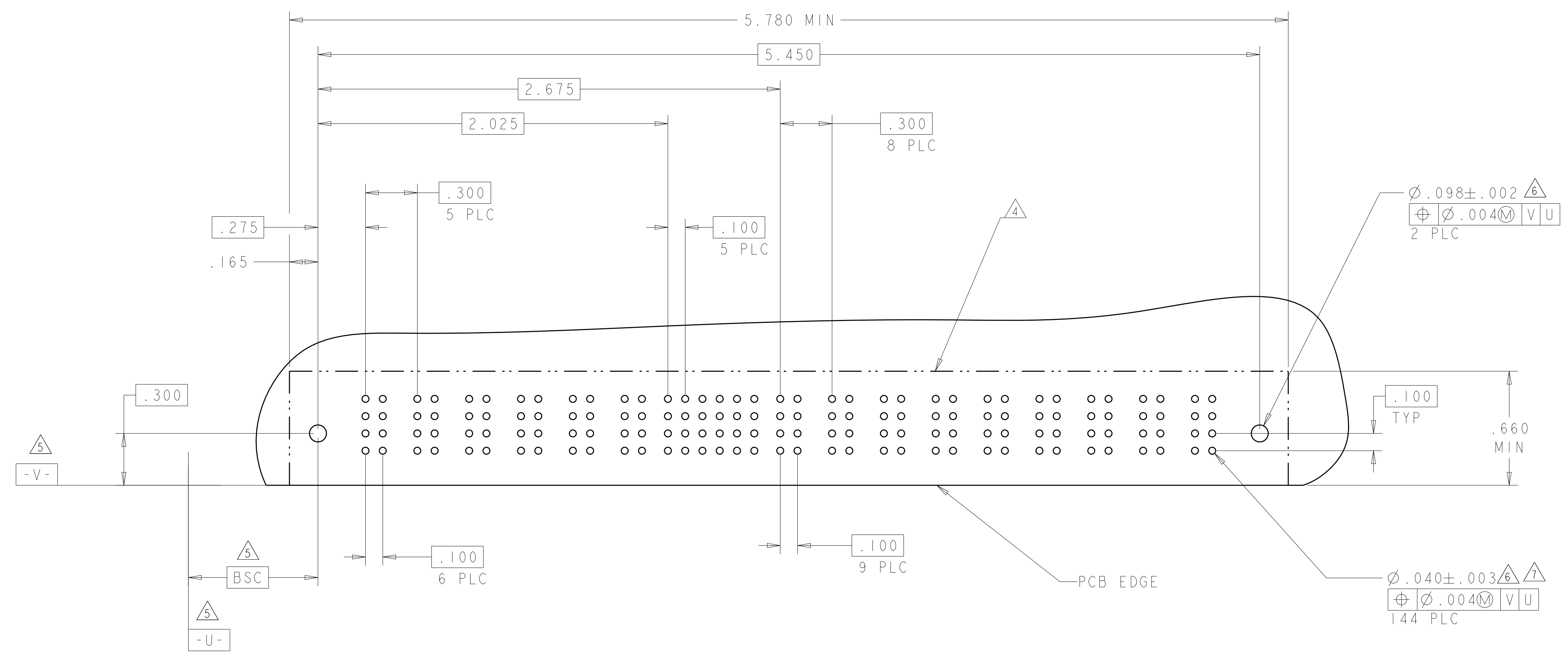
PART NUMBER	ROWS	POWER		SIGNAL			POWER	
		P1	P2	1	2	3	P3	P4
4-6450120-9	D			J	J	J		
	C			K	K	K		
	B			N	N	N		
	A			S	S	S		
2P + 12S + 2P								



THIS DRAWING IS A CONTROLLED DOCUMENT.		DWN R. GRZYBOWSKI 02FEB05	TE Connectivity											
DIMENSIONS: INCHES		CHK M. PERCHERKE 02FEB05												
TOLERANCES UNLESS OTHERWISE SPECIFIED:		APVD M. PERCHERKE 02FEB05	NAME RIGHT ANGLE HEADER W/GUIDES ASSEMBLY MULTI-BEAM XL											
<table border="1"> <tr><td>0 PLC</td><td>±</td></tr> <tr><td>2 PLC</td><td>±.01</td></tr> <tr><td>3 PLC</td><td>±.005</td></tr> <tr><td>4 PLC</td><td>±.0020</td></tr> <tr><td>ANGLES</td><td>±2°</td></tr> </table>		0 PLC	±	2 PLC	±.01	3 PLC	±.005	4 PLC	±.0020	ANGLES	±2°	PRODUCT SPEC 108-1973	SIZE A100779C=6450120	
0 PLC	±													
2 PLC	±.01													
3 PLC	±.005													
4 PLC	±.0020													
ANGLES	±2°													
MATERIAL		APPLICATION SPEC 114-13038	RESTRICTED TO											
FINISH		WEIGHT	SCALE 4:1 SHEET 15 OF 24 REV M2											
		CUSTOMER DRAWING												

LOC		DIST		REVISIONS			
P	LTN	DESCRIPTION	DATE	DMN	APVD		
-	-	SEE SHEET 1	-	-	-		

PART NUMBER	ROWS	POWER						SIGNAL						POWER										
		P1	P2	P3	P4	P5	P6	1	2	3	4	5	6	P7	P8	P9	P10	P11	P12	P13	P14	P15		
5-6450120-2	D C B A	[HD]	[ ]	[PM]	[PM]	[PM]	[ ]	[PM]	J	J		J	E		[ ]	[PM]	[PM]	[PM]	[ ]	[PM]	[PM]	[PM]	[ ]	[HD]
			K	K		K	K																	
			N	N		N	N																	
			S	S		S	H																	
6P + 24S + 9P																								



THIS DRAWING IS A CONTROLLED DOCUMENT.

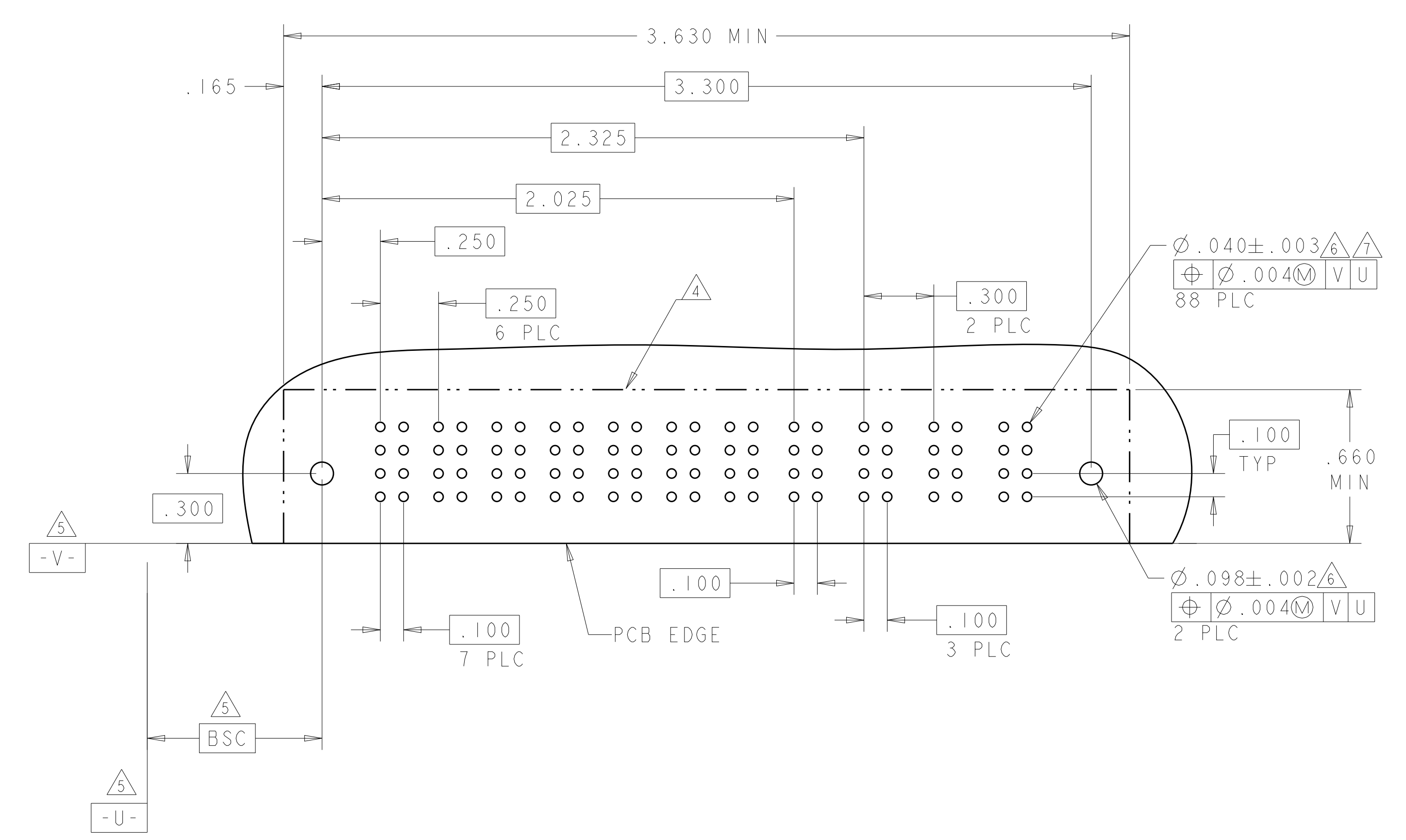
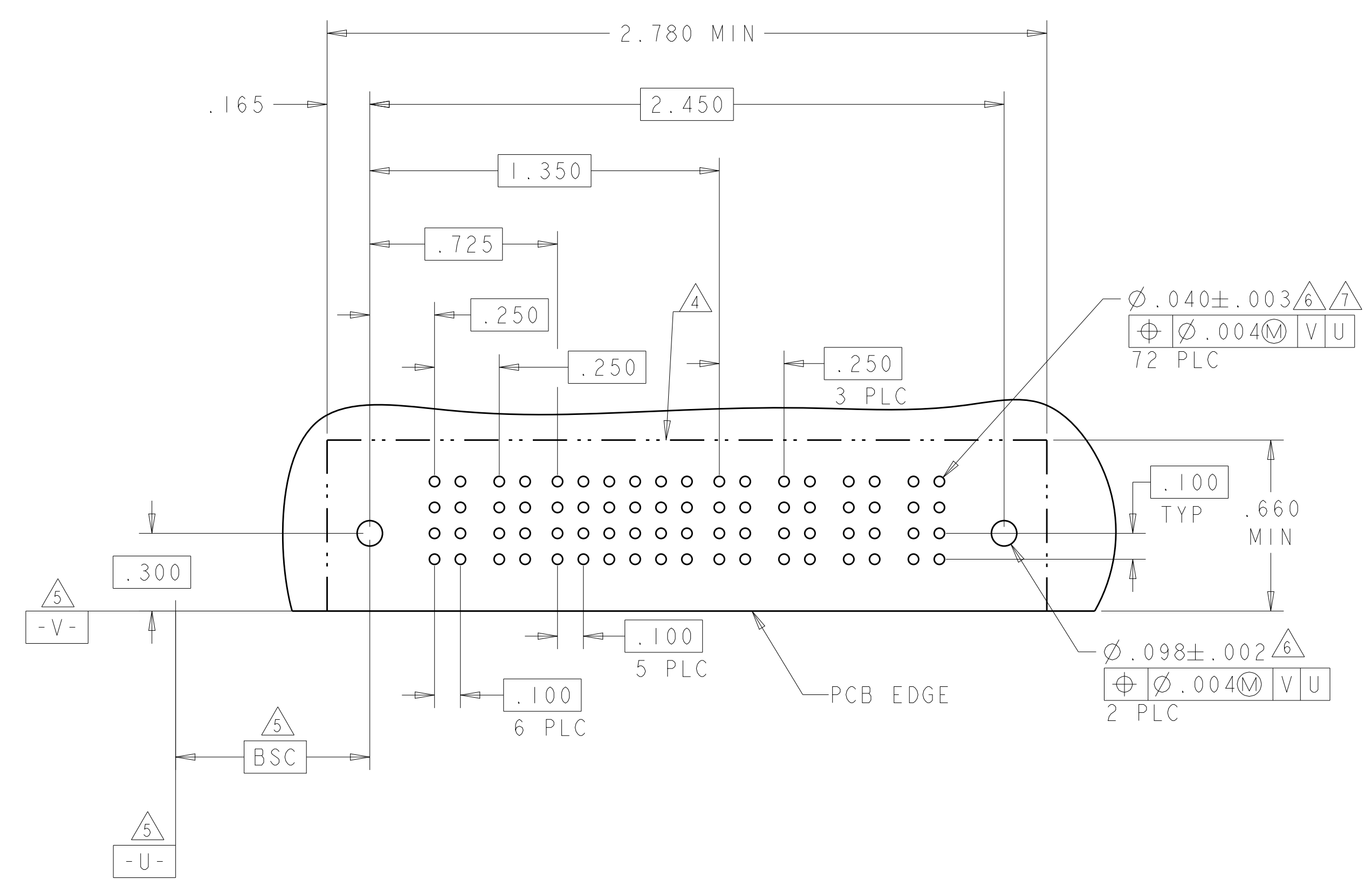
DIMENSIONS: INCHES	TOLERANCES UNLESS OTHERWISE SPECIFIED: 0 PLC ±. 1 PLC ±.01 2 PLC ±.01 3 PLC ±.005 4 PLC ±.0020 ANGLES ±.0°	FINISH	DMN: R. GRZYBOWSKI CHK: M. PERCHERKE APVD: M. PERCHERKE	02FEB05 02FEB05 02FEB05	TE Connectivity <b>RIGHT ANGLE HEADER W/GUIDES ASSEMBLY MULTI-BEAM XL</b>
MATERIAL			PRODUCT SPEC: 108-1973 APPLICATION SPEC: 114-13038 WEIGHT: -	SIZE: A1 CAGE CODE: 00779 DRAWING NO: C=6450120	

CUSTOMER DRAWING SCALE 4:1 SHEET 16 OF 24 REV M2

LOC	DIST	REVISIONS			
P	LTN	DESCRIPTION	DATE	DMN	APVD
-	-	SEE SHEET 1	-	-	-

PART NUMBER	ROWS	POWER		SIGNAL						POWER			
		P1	P2	1	2	3	4	5	6	P3	P4	P5	P6
5-6450120-3	D	PM	PM	J	J	J	J	J	J	PM	PM	PM	PM
	C			K	K	K	K	K	K				
	B			N	N	N	N	N	N				
	A			S	S	S	S	S	S				
2P + 24S + 4P													

PART NUMBER	ROWS	POWER							SIGNAL		POWER		
		P1	P2	P3	P4	P5	P6	P7	I	J	P8	P9	P10
5-6450120-5	D	PM	PM	PM	PM	PM	PM	PM	J	J	PM	PM	PM
	C								K	K			
	B								N	N			
	A								S	S			
7P + 8S + 3ACP													



THIS DRAWING IS A CONTROLLED DOCUMENT.

DIMENSIONS: INCHES	TOLERANCES UNLESS OTHERWISE SPECIFIED: 0 PLC ±. 2 PLC ±.01 3 PLC ±.005 4 PLC ±.0020 ANGLES ±.7° FINISH	OWN: R. GRZYBOWSKI 02FEB05 CHK: M. PERCHERKE 02FEB05 APVD: M. PERCHERKE 02FEB05	NAME: RIGHT ANGLE HEADER W/GUIDES ASSEMBLY MULTI-BEAM XL
MATERIAL		PRODUCT SPEC: 108-1973 APPLICATION SPEC: 114-13038 WEIGHT	SIZE: A1 CAGE CODE: 00779 DRAWING NO: C=6450120
CUSTOMER DRAWING		SCALE: 4:1	SHEET 17 OF 24 REV M2

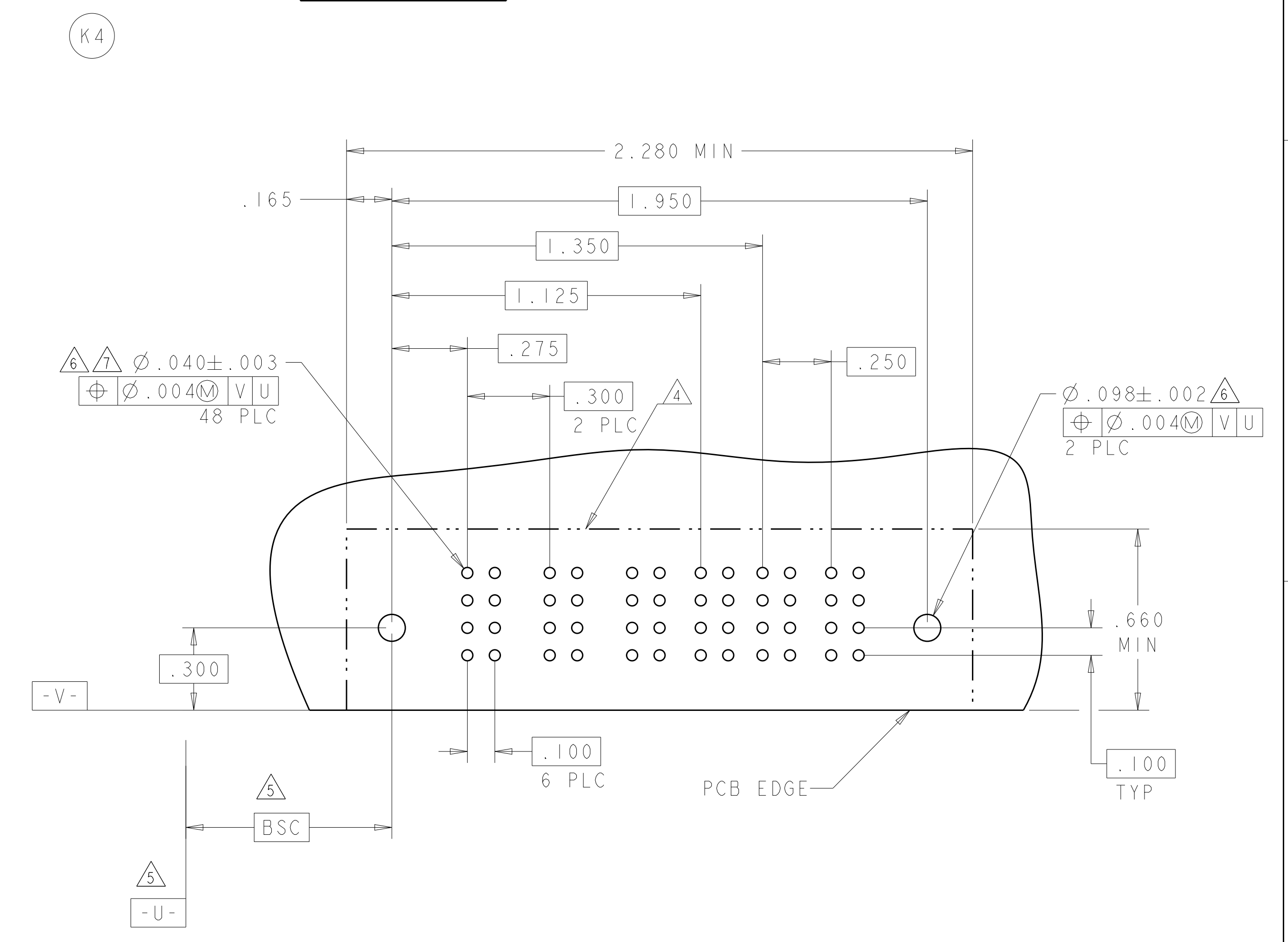
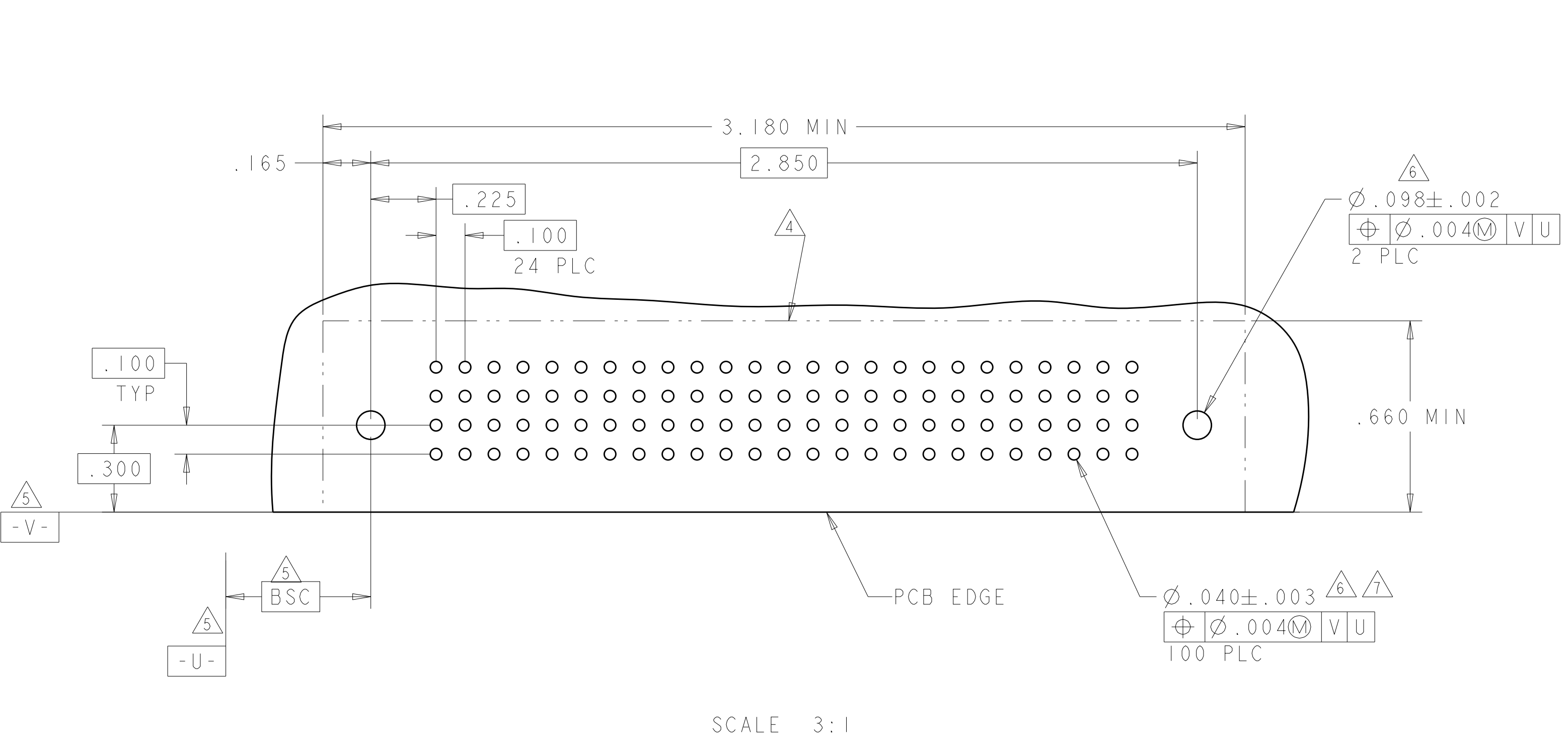
4805 (3/11)



LOC	DIST	REV	DATE	APPV
ES	00			
		DESCRIPTION	DATE	APPV
		SEE SHEET 1		

PART NUMBER	ROWS	SIGNAL																							
		1	2	3	4	5	6	7	8	9	10	11	12	13	14	15	16	17	18	19	20	21	22	23	24
5-6450120-8	D	J	J	J	J	J	J	J	J	J	J	J	J	J	J	J	J	J	J	J	J	J	J	J	J
	C	K	K	K	K	K	K	K	K	K	K	K	K	K	K	K	K	K	K	K	K	K	K	K	K
	B	N	N	N	N	N	N	N	N	N	N	N	N	N	N	N	N	N	N	N	N	N	N	N	N
A	S	S	S	S	S	S	S	S	S	S	S	S	S	S	S	S	S	S	S	S	S	S	S	S	
		HD																							HD
100S																									

PART NUMBER	ROWS	POWER			SIGNAL		POWER	
		P1	P2	P3	1	2	P4	P5
5-6450120-9	D	PM	PM	PM	J	J	PM	PM
	C				K	K		
	B				N	N		
A				H	S			
		HD					HD	
3ACP + 8S + 2P								



THIS DRAWING IS A CONTROLLED DOCUMENT.

DIMENSIONS:	TOLERANCES UNLESS OTHERWISE SPECIFIED:	OWN: R. GRZYBOWSKI 02FEB05	CHK: M. PERCHERKE 02FEB05	APV: M. PERCHERKE 02FEB05	NAME: RIGHT ANGLE HEADER W/GUIDES ASSEMBLY MULTI-BEAM XL
INCHES	0 PLC ± .01 2 PLC ± .01 3 PLC ± .01 4 PLC ± .005 ANGLES ± .0020	PRODUCT SPEC: 108-1973	APPLICATION SPEC: 114-13038	WEIGHT: -	SIZE: A1
MATERIAL: -	FINISH: -	CAGE CODE: 6450120	DRAWING NO: 100779	SCALE: 4:1	SHEET 19 OF 24
CUSTOMER DRAWING		REV: M2		RESTRICTED TO: -	

4805 (3/11)

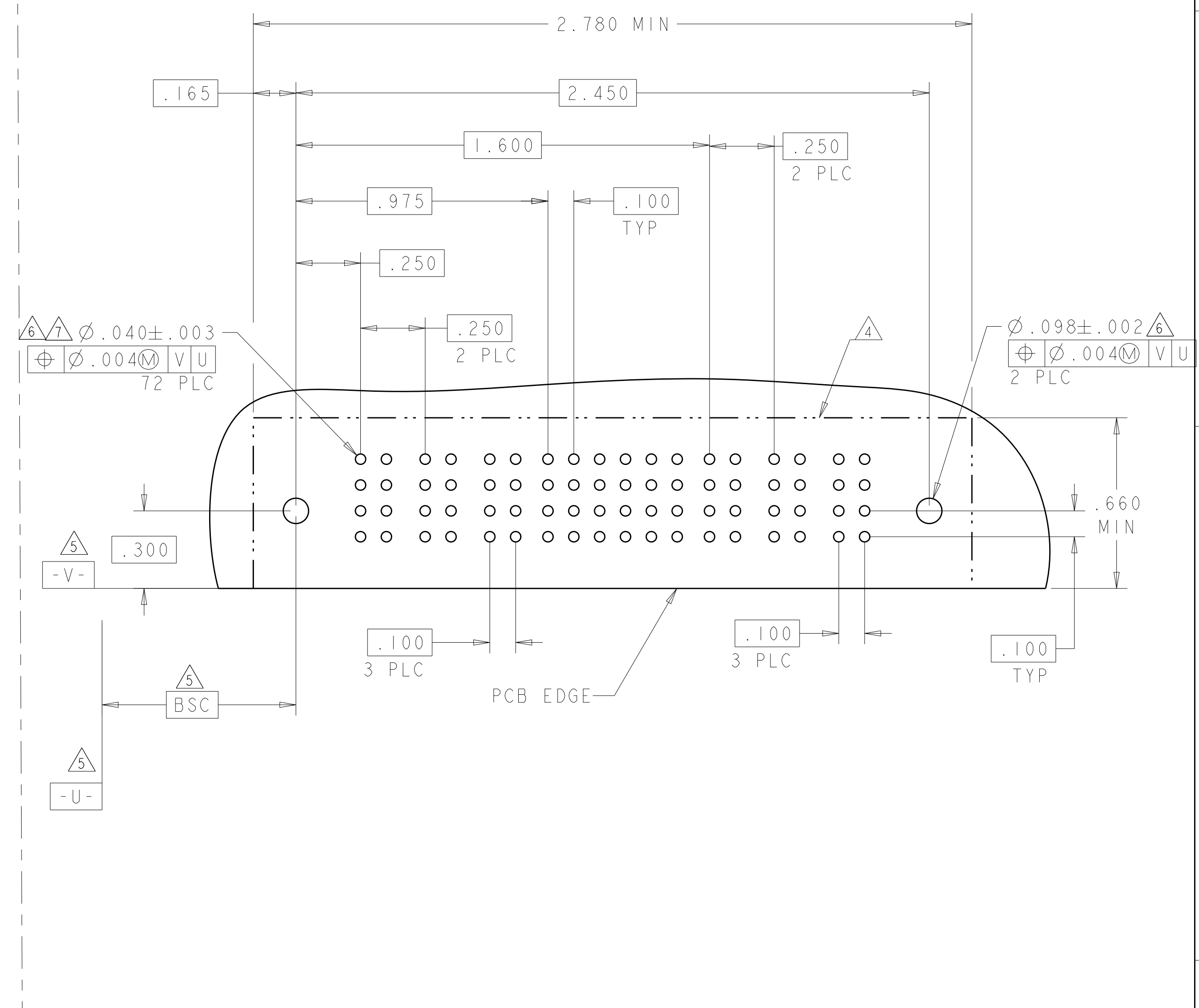
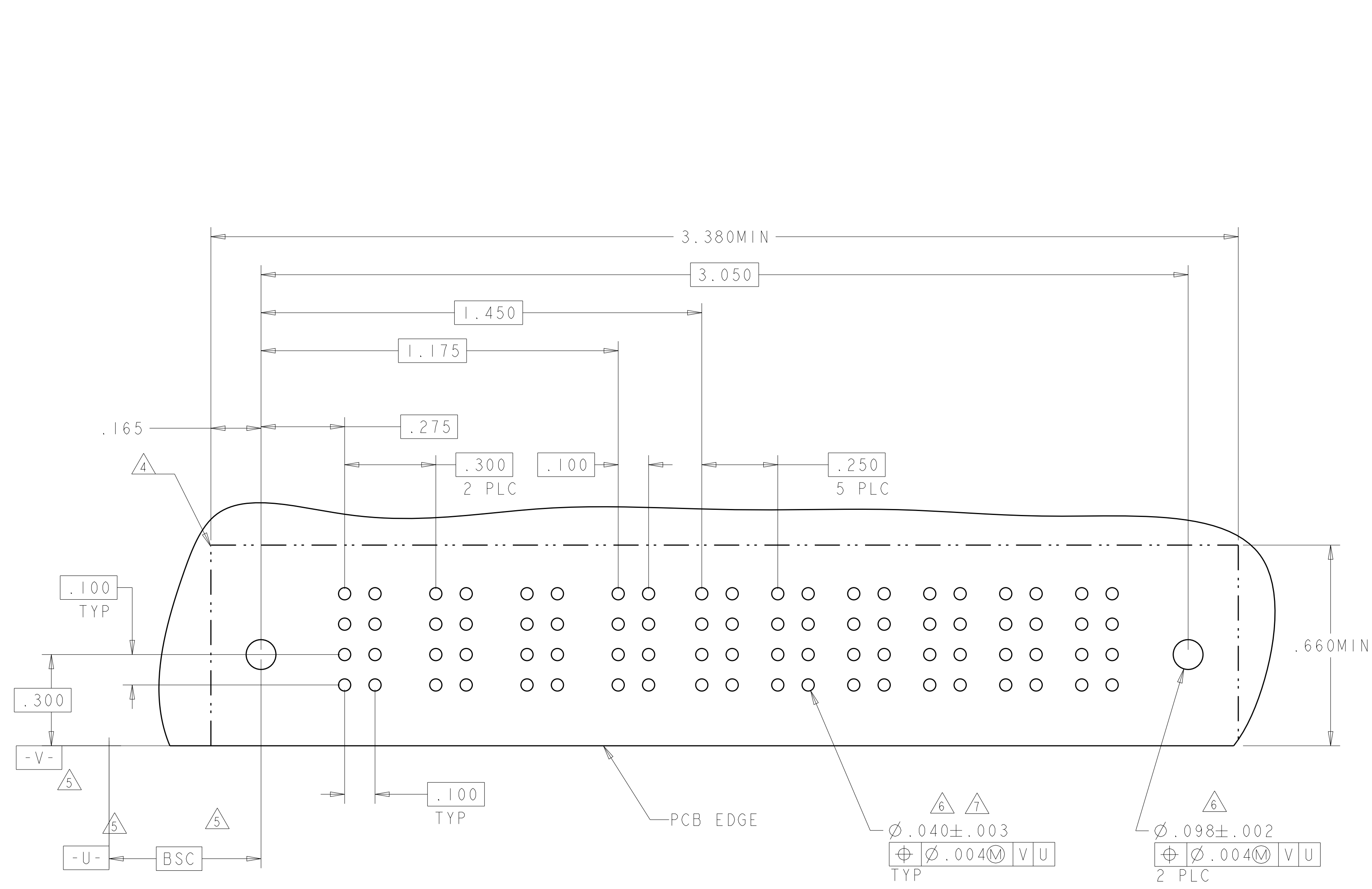
LOC	DIST	REV	DATE	BY	APPV
ES	00				

REVISIONS			
REV	DATE	BY	APPV
-	-	-	-
SEE SHEET 1			

PART NUMBER	ROWS	POWER			SIGNAL		POWER					
		P1	P2	P3	1	2	P4	P5	P6	P7	P8	P9
6-6450120-0	D C B A	PM	PM	PM	J	J	PM	PM	PM	PM	PM	PM
					K	K						
					N	N						
					H	S						
3ACP + 8S + 6P												

PART NUMBER	ROWS	POWER			SIGNAL						POWER		
		P1	P2	P3	1	2	3	4	5	6	P4	P5	P6
6-6450120-1	D C B A	PM	PM	PM	J	J	J	J	J	J	PM	PM	PM
					K	K	F	F	K	K			
					N	N	G	G	N	N			
					S	S	S	S	S	S			
3P + 24S + 3P													



THIS DRAWING IS A CONTROLLED DOCUMENT.		OWN R. GRZYBOWSKI	02FEB05	TE Connectivity
DIMENSIONS: INCHES		CHK M. PERCHERKE	02FEB05	
TOLERANCES UNLESS OTHERWISE SPECIFIED:		APVD M. PERCHERKE	02FEB05	NAME <b>RIGHT ANGLE HEADER W/GUIDES ASSEMBLY MULTI-BEAM XL</b>
0 PLC ±. 1 PLC ±.01 2 PLC ±.01 3 PLC ±.005 4 PLC ±.0020 ANGLES ±.020		PRODUCT SPEC	108-1973	
MATERIAL		APPLICATION SPEC	114-13038	SIZE
FINISH		WEIGHT		CAGE CODE
		CUSTOMER DRAWING		DRAWING NO
				RESTRICTED TO
				A100779
				SCALE
				4:1
				SHEET
				20
				OF
				24
				REV
				M2

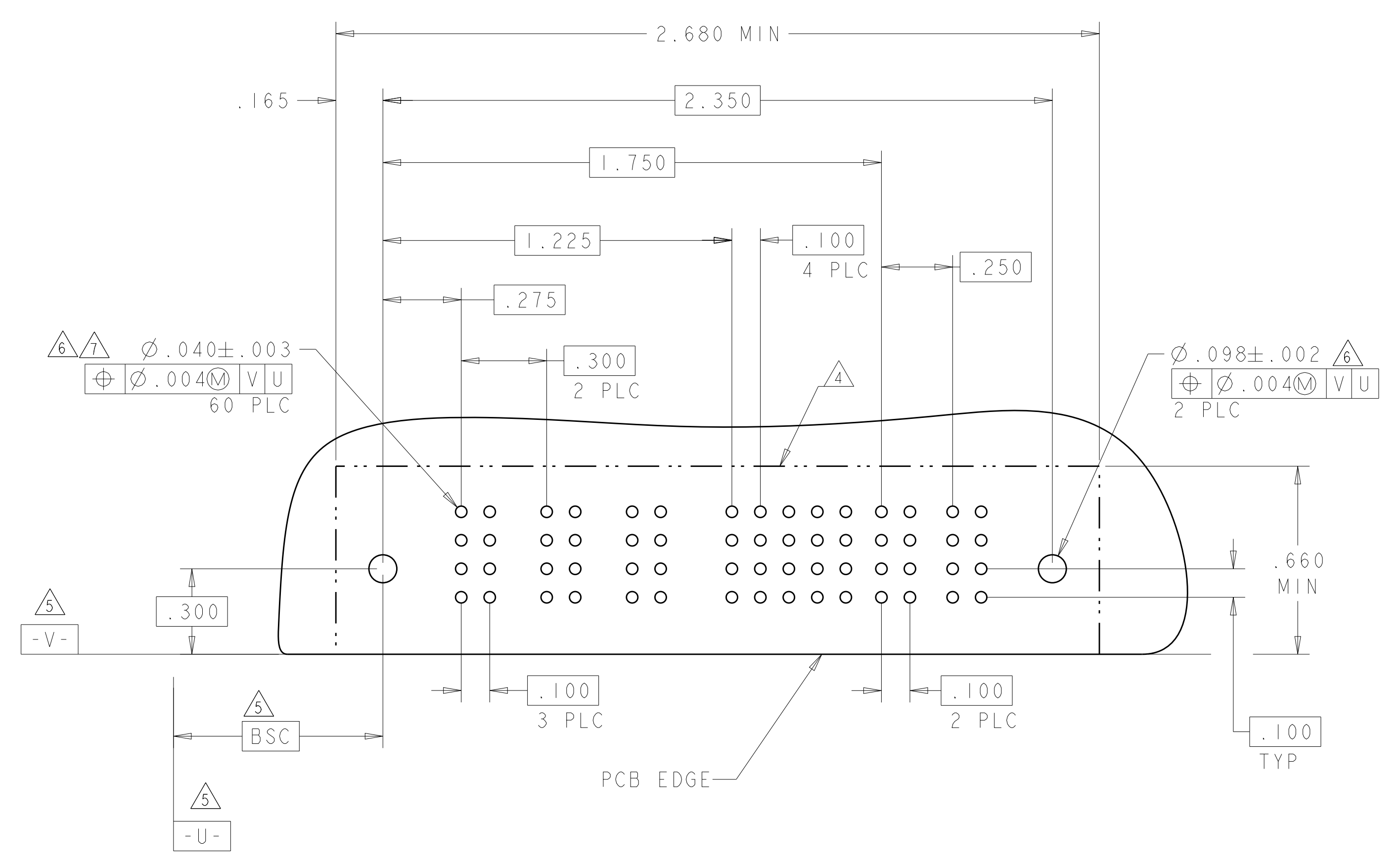
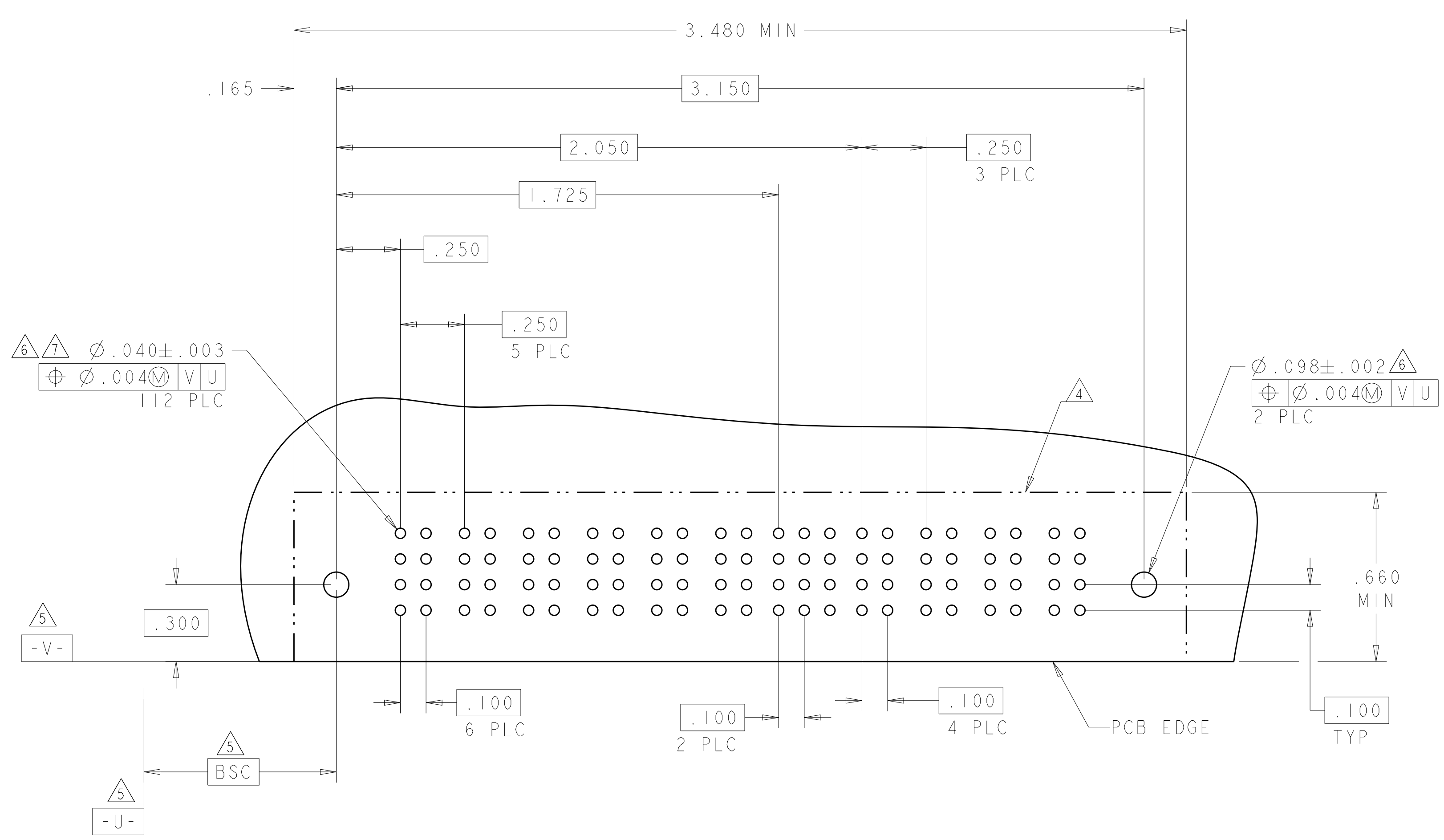


LOC	DIST	REV	DATE	BY	APPV
ES	00				
DESCRIPTION			DATE	BY	APPV
SEE SHEET 1					

PART NUMBER	ROWS	POWER						SIGNAL			POWER			
		P1	P2	P3	P4	P5	P6	1	2	3	P7	P8	P9	P10
6-6450120-4	D C B A	PM	PM	PM	PM	PM	J	J	E	PM	PM	PM	PM	
							K	K	F					
							N	N	N					
6P + 12S + 4P		HD					S	S	S				HD	

PART NUMBER	ROWS	POWER			SIGNAL						POWER	
		P1	P2	P3	1	2	3	4	5	6	P4	P5
6-6450120-5	D C B A	PM	PM	PM	J	J	J	J	J	J	PM	PM
					K	K	K	K	K			
					N	N	N	N	N			
3ACP + 24S + 2P		HD			S	S	S	S	S			HD

NO CONTACTS LOADED



THIS DRAWING IS A CONTROLLED DOCUMENT.

DIMENSIONS:	TOLERANCES UNLESS OTHERWISE SPECIFIED:	OWN: R. GRZYBOWSKI 02FEB05	CHK: M. PERCHERKE 02FEB05	APVD: M. PERCHERKE 02FEB05	NAME: RIGHT ANGLE HEADER W/GUIDES ASSEMBLY MULTI-BEAM XL
INCHES	0 PLC ± .01 1 PLC ± .01 2 PLC ± .01 3 PLC ± .005 4 PLC ± .002 ANGLES ± .2°	PRODUCT SPEC: 108-1973	APPLICATION SPEC: 114-13038	WEIGHT: -	SIZE: A1
MATERIAL: -	FINISH: -	CAGE CODE: 6450120	DRAWING NO: 100779	SCALE: 4:1	SHEET 21 OF 24
CUSTOMER DRAWING			REV: M2		

STE TE Connectivity

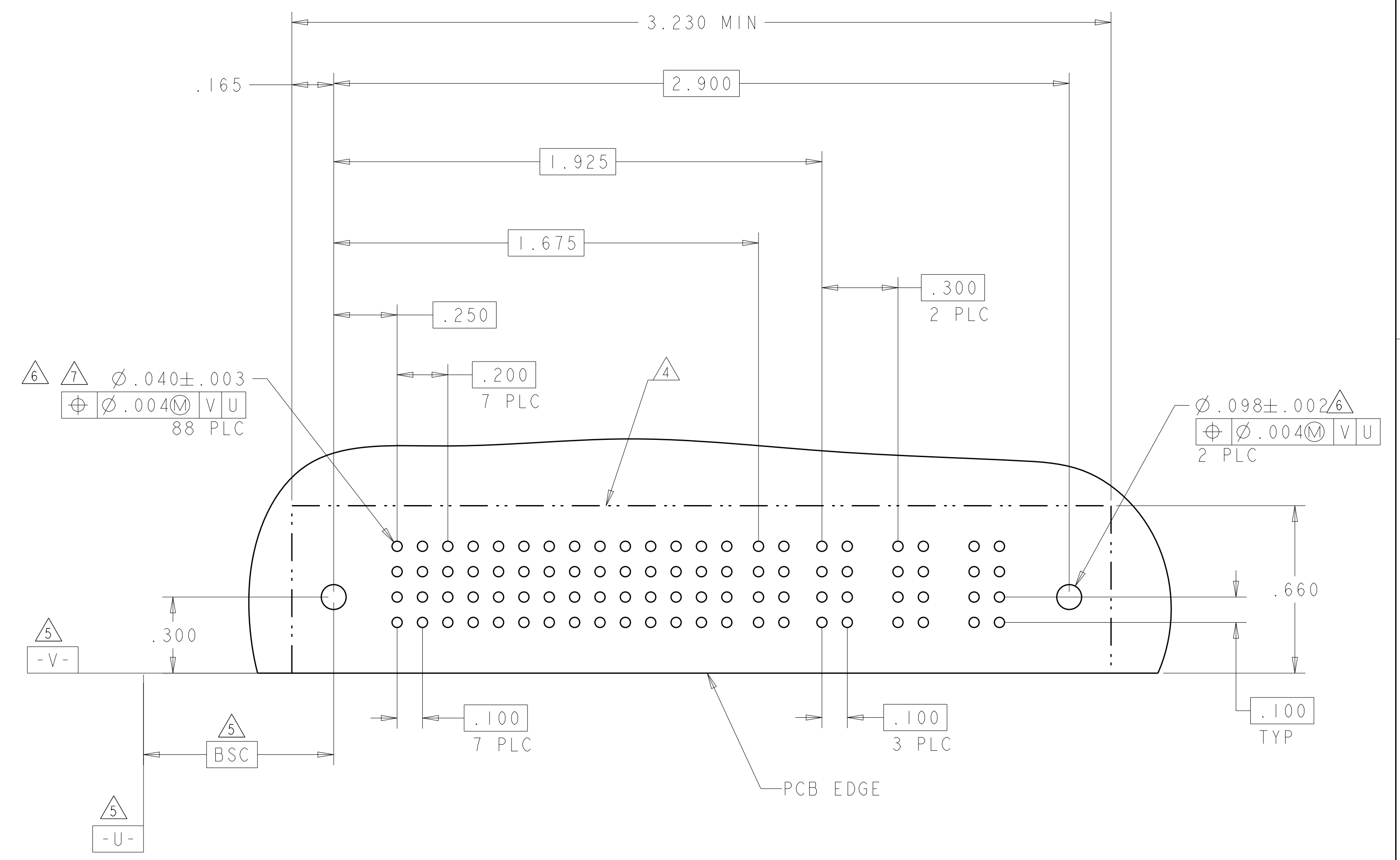
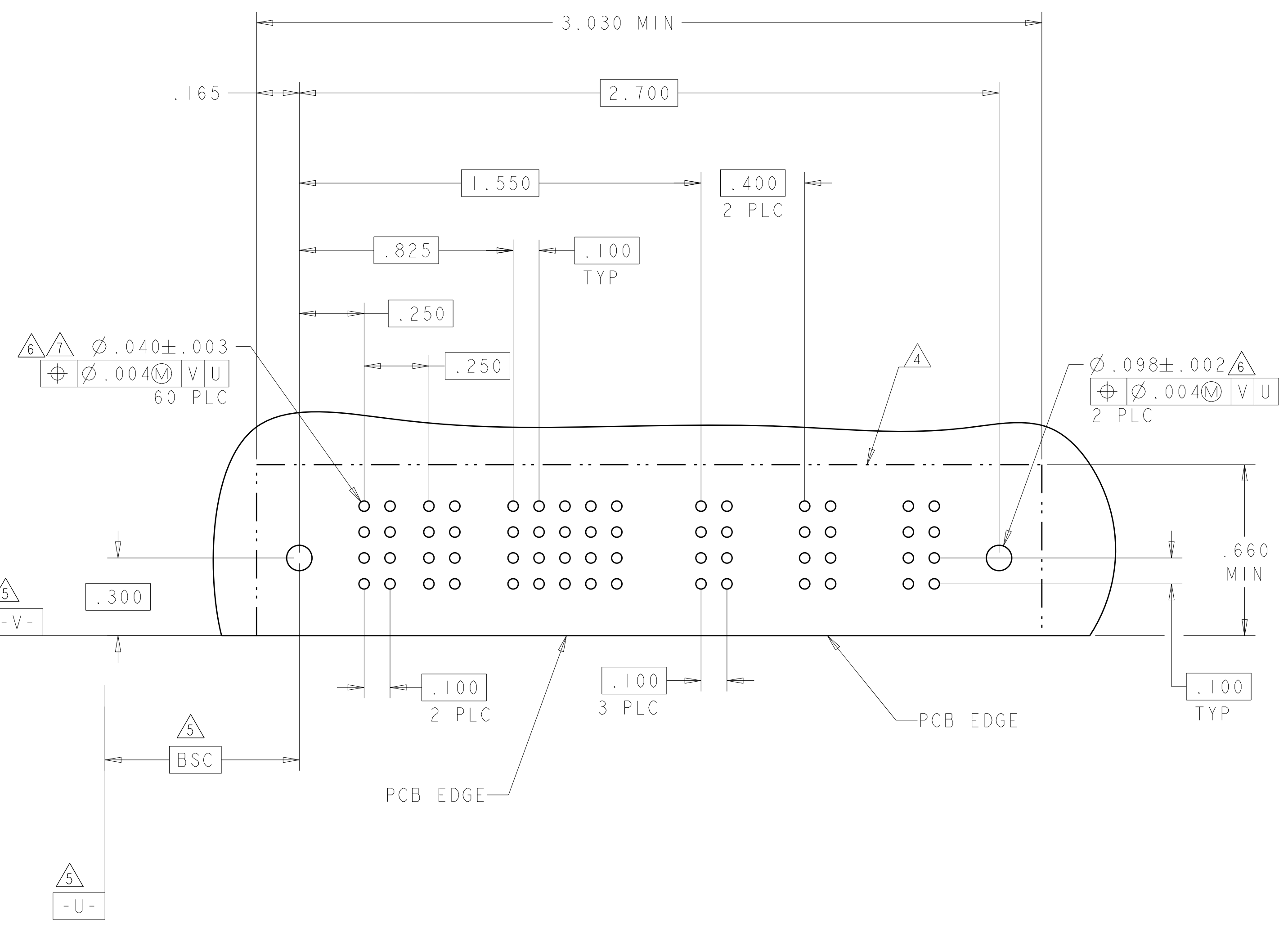
LOC	DIST	REV	DATE	BY	APPR
ES	00				
REVISIONS					
		DESCRIPTION	DATE	BY	APPR
		SEE SHEET 1			

PART NUMBER	ROWS	POWER		SIGNAL						POWER					
		P1	P2	1	2	3	4	5	6	P3	P4	P5	P6	P7	P8
6-6450120-6	D C B A	PM	PM	J	J	J	J	J	J	PM	PM	PM	PM	PM	PM
				K	K	K	K	K							
				N	N	N	N	N							
2P + 24S + 6P				S	S	S	S	S	S						

NO CONTACTS LOADED

PART NUMBER	ROWS	POWER							SIGNAL		POWER		
		P1	P2	P3	P4	P5	P6	P7	1	2	P8	P9	P10
6-6450120-7	D C B A	PM	PM	PM	PM	PM	PM	PM	E	E	PM	PM	PM
									F	F			
									G	G			
									H	H			
7HDP + 8S + 3ACP													

(L5)



THIS DRAWING IS A CONTROLLED DOCUMENT.

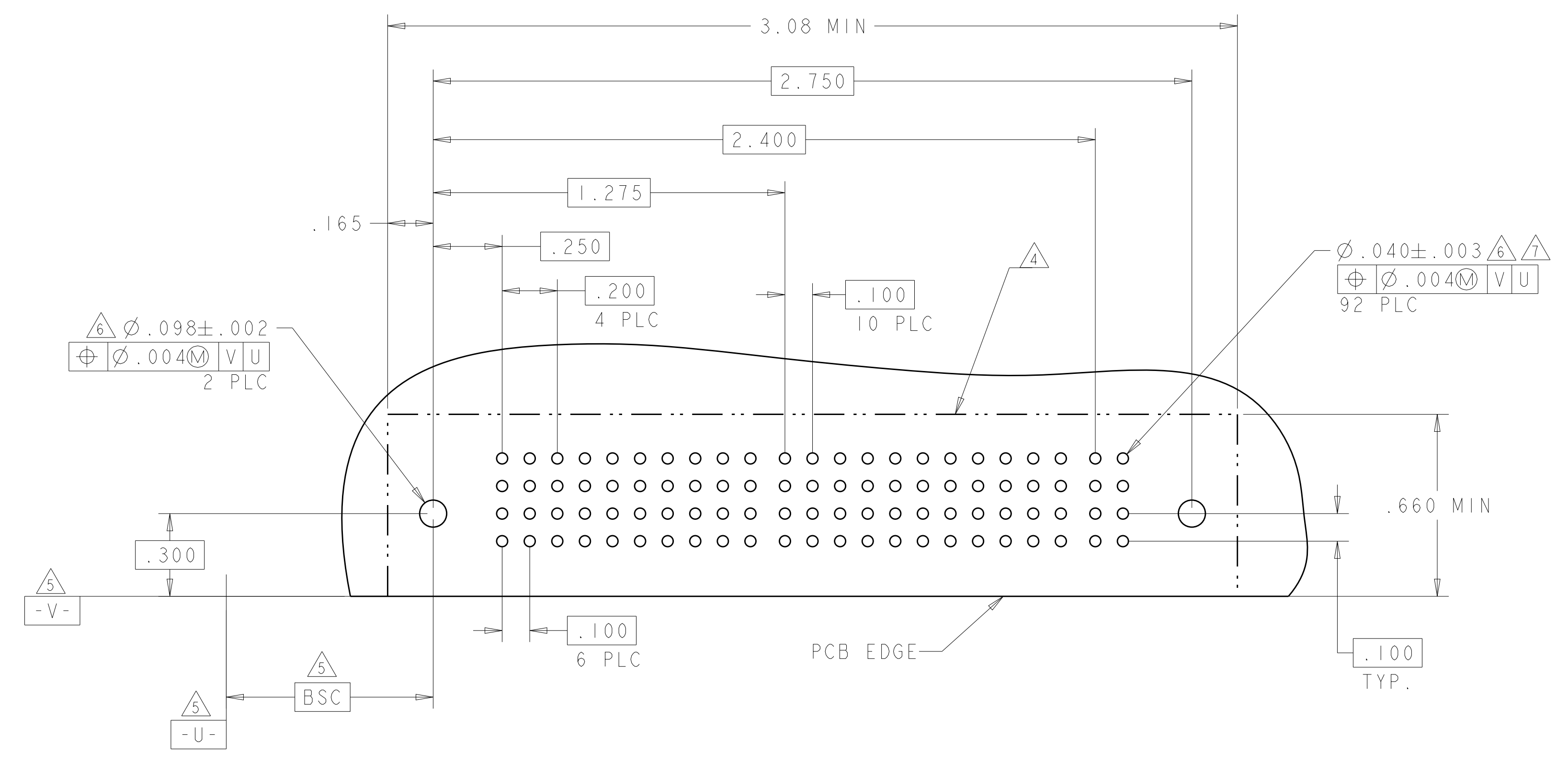
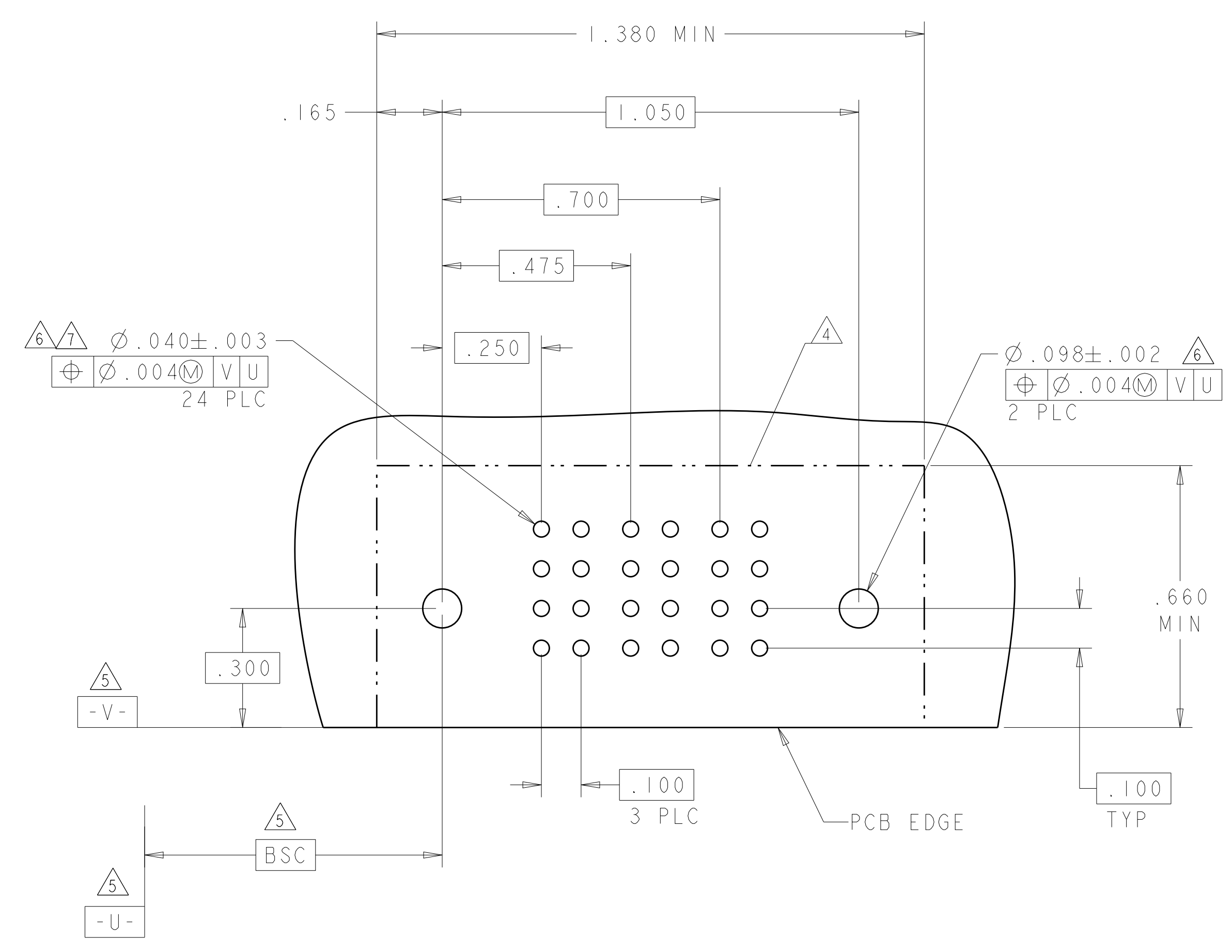
DIMENSIONS:	TOLERANCES UNLESS OTHERWISE SPECIFIED:	OWN: R. GRZYBOWSKI 02FEB05	CHK: M. PERCHERKE 02FEB05	APPR: M. PERCHERKE 02FEB05	NAME: RIGHT ANGLE HEADER W/GUIDES ASSEMBLY MULTI-BEAM XL
INCHES	0 PLC ± .01 1 PLC ± .01 2 PLC ± .01 3 PLC ± .005 4 PLC ± .002 ANGLES ± .020	PRODUCT SPEC: 108-1973	APPLICATION SPEC: 114-13038	WEIGHT: -	SIZE: A1
MATERIAL: -	FINISH: -	CAGE CODE: 6450120	SCALE: 4:1	SHEET: 22	REV: M2

CUSTOMER DRAWING

LOC		DIST		REVISONS			
ES	00	P	LTN	DESCRIPTION	DATE	DWN	APVD
		-		SEE SHEET 1			

PART NUMBER	ROWS	POWER		SIGNAL		POWER	
		P1	P2	1	2	P1	P2
6-6450120-8	D	PM	PM	J	J	PM	PM
	C			K	K		
	B			N	N		
	A			S	S		
IP + 8S + IP		HD				HD	

PART NUMBER	ROWS	POWER					SIGNAL											POWER			
		P1	P2	P3	P4	P5	1	2	3	4	5	6	7	8	9	10	11	P6			
7-6450120-0	D	PM	PM	PM	PM	J	J	J	J	J	J	J	J	J	J	J	J	J	PM		
	C					G	N	N	N	N	N	N	K	F	F	F	F	F		F	
	B					H	H	H	H	H	H	S	S	H	H	H	H	H		H	H
	A																				
5P + 44S + IP		HD																HD			



THIS DRAWING IS A CONTROLLED DOCUMENT.

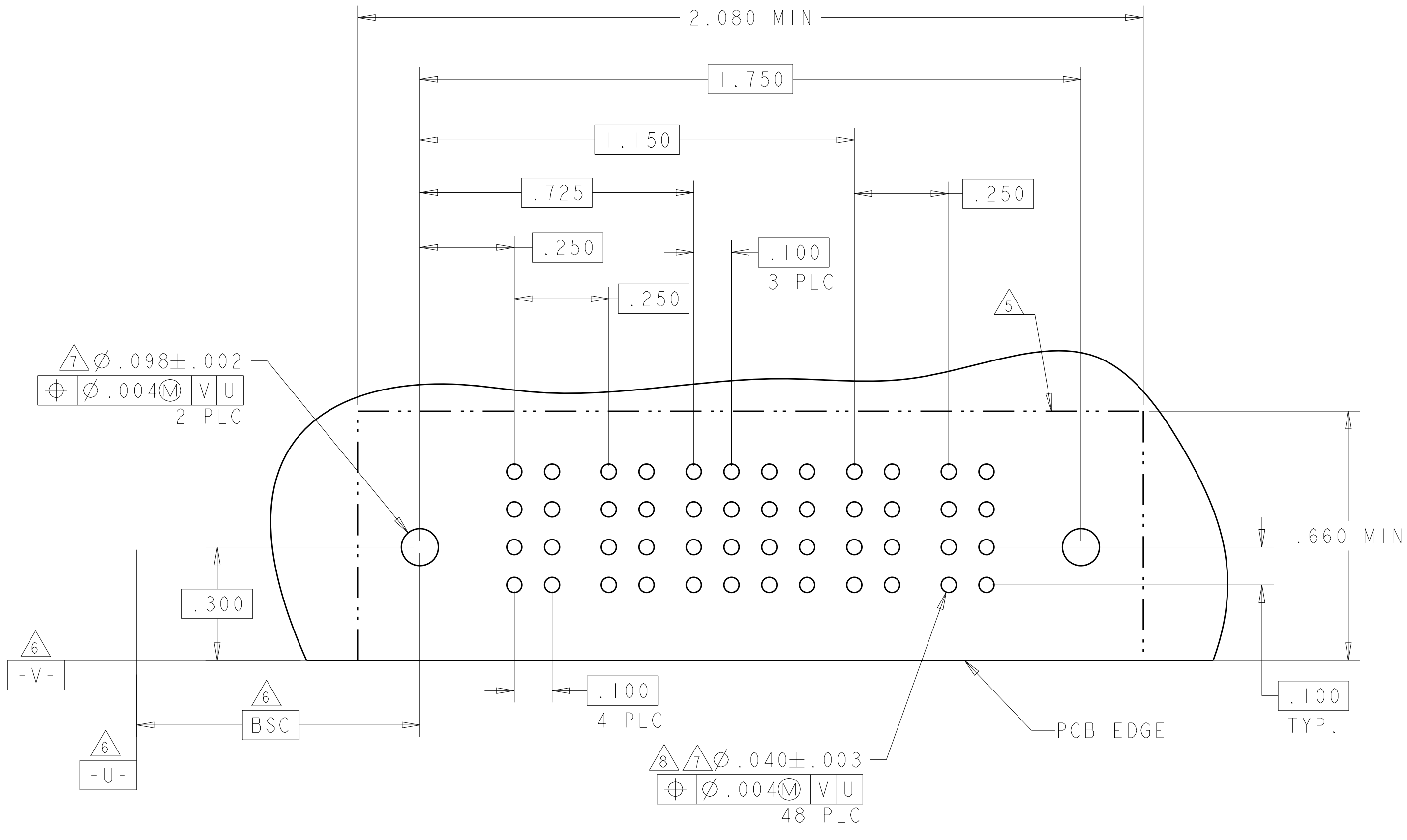
DIMENSIONS:	TOLERANCES UNLESS OTHERWISE SPECIFIED:	DWN: R. GRZYBOWSKI 02FEB05	CHK: M. PERCHERKE 02FEB05	APVD: M. PERCHERKE 02FEB05	NAME: R. GRZYBOWSKI
INCHES	0 PLC ±.01 2 PLC ±.01 3 PLC ±.005 4 PLC ±.0020 ANGLES ±.2°	PRODUCT SPEC: 108-1973	APPLICATION SPEC: 114-13038	WEIGHT: -	RESTRICTED TO: -
MATERIAL: -	FINISH: -	SIZE: A1	CAGE CODE: 100779	DRAWING NO: 6450120	SCALE: 4:1
CUSTOMER DRAWING		SHEET 23 OF 24		REV M2	

STE TE Connectivity

RIGHT ANGLE HEADER W/GUIDES ASSEMBLY MULTI-BEAM XL

LOC	DIST	REVISIONS					
		P	LTN	DESCRIPTION	DATE	DMN	APVD
ES	00	-	-	SEE SHEET 1	-	-	-

PART NUMBER	ROWS	POWER		SIGNAL				POWER	
		P1	P2	1	2	3	4	P3	P4
7-6450120-1	D	PM	PM	E	E	E	E	PM	PM
	C			F	F	F	F		
	B			N	N	N	N		
	A			H	H	H	H		
2P + 16S + 2P		HD						HD	



DIMENSIONS:		TOLERANCES UNLESS OTHERWISE SPECIFIED:		APVD		NAME	
INCHES	0 PLC ±	1 PLC ±.01	2 PLC ±.01	3 PLC ±.005	4 PLC ±.0020	ANGLES ±2°	FINISH
MATERIAL		FINISH		WEIGHT		RESTRICTED TO	

THIS DRAWING IS A CONTROLLED DOCUMENT.	DMN R.GRZYBOWSKI 02FEB05	<b>STE</b> TE Connectivity
	CHK M.PERCHEKKE 02FEB05	
	APVD M.PERCHEKKE 02FEB05	NAME
		RIGHT ANGLE HEADER W/GUIDES ASSEMBLY
		MULTI-BEAM XL
		SIZE CAGE CODE DRAWING NO
		114-13038
		RESTRICTED TO
		A100779C=6450120
		CUSTOMER DRAWING
		SCALE 4:1 SHEET 24 OF 24 REV M2

# Mouser Electronics

Authorized Distributor

Click to View Pricing, Inventory, Delivery & Lifecycle Information:

[TE Connectivity:](#)

[5-6450120-3](#)