



PART NAME

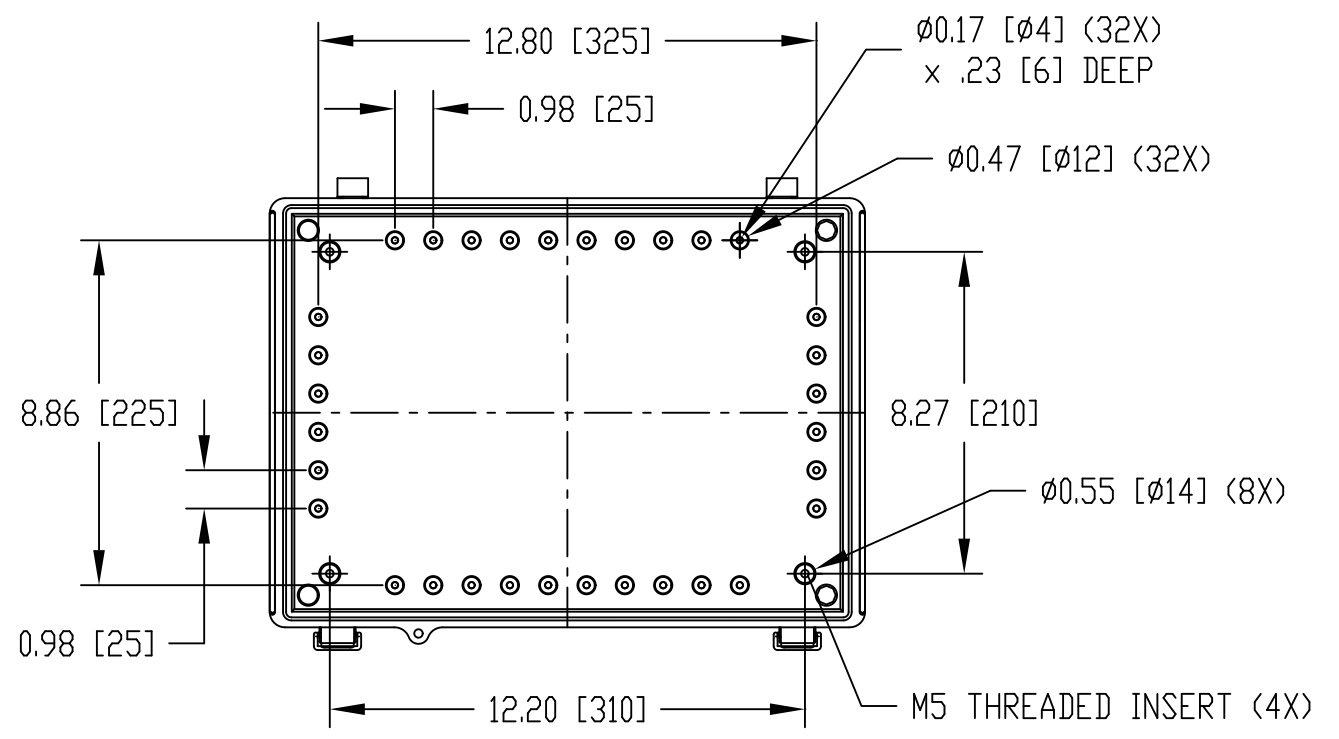
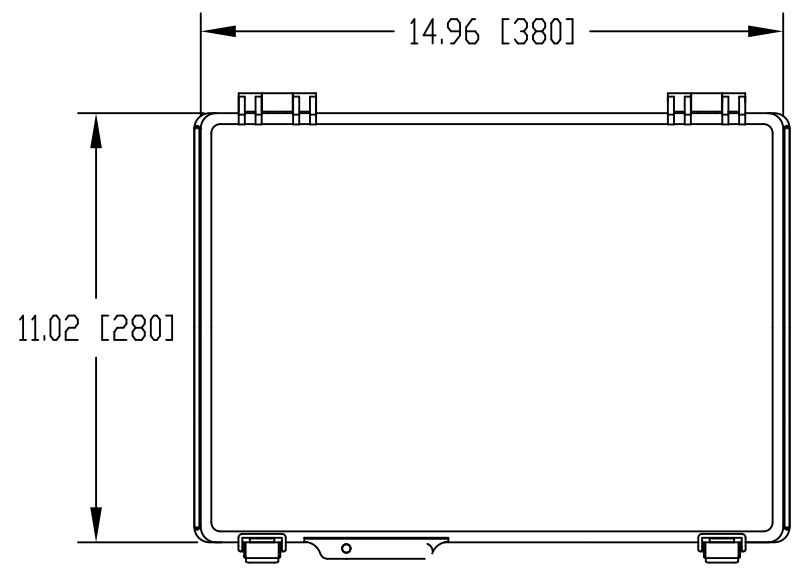
PTQ SERIES ENCLOSURE

PART No.

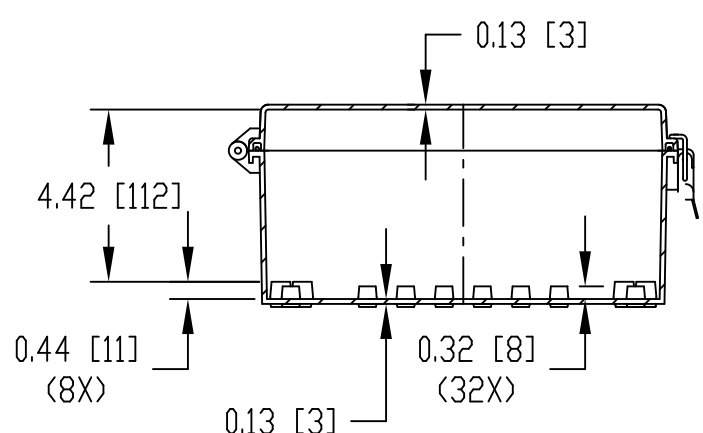
PTQ-11064 PTQ-11064-C

REV. DATE

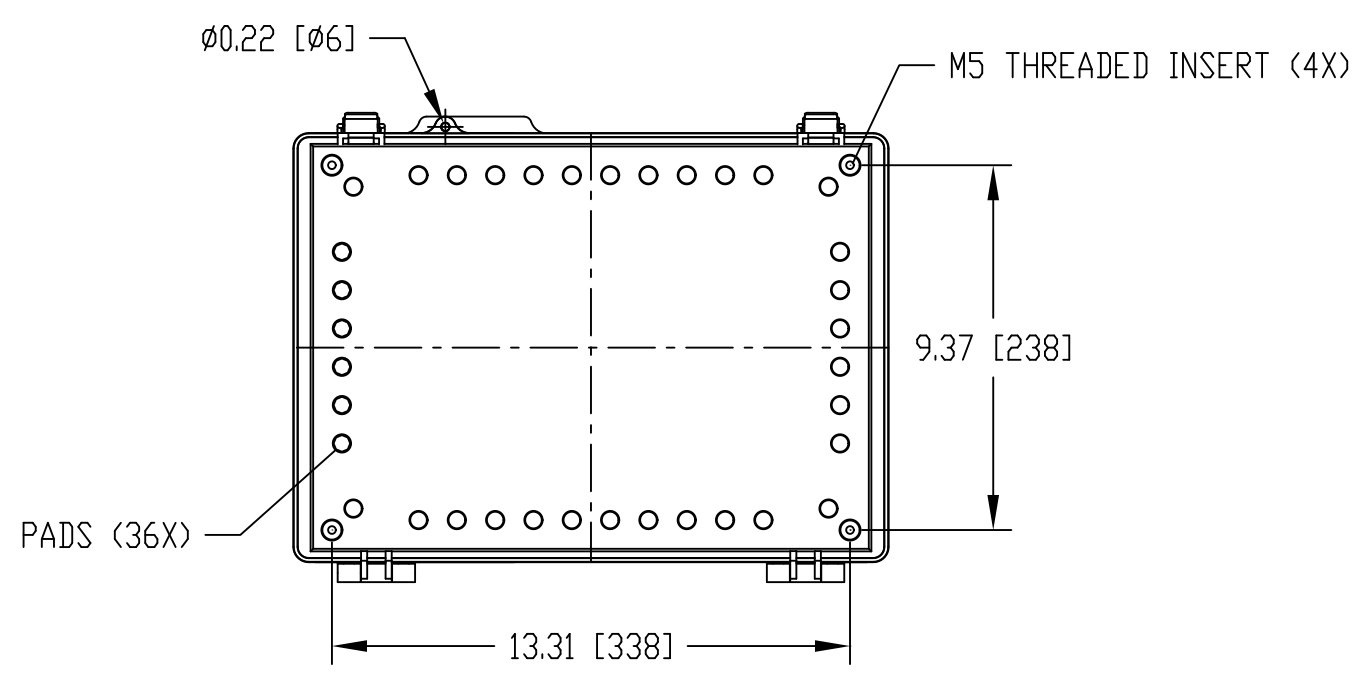
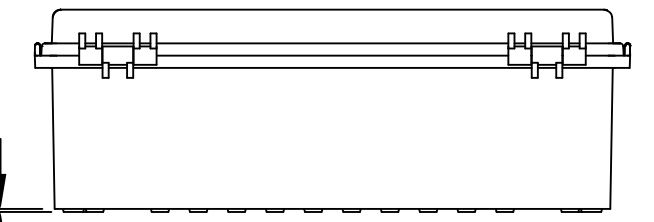
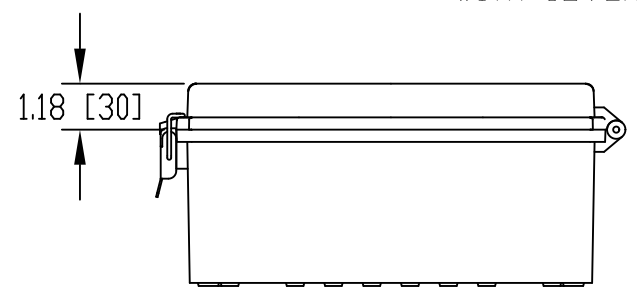
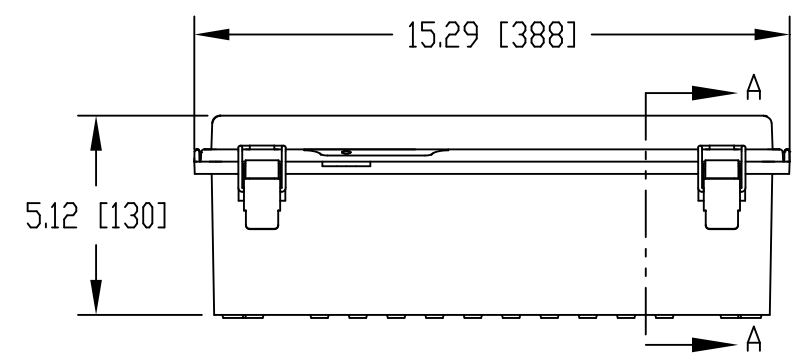
12-2-15



INSIDE VIEW OF BODY WITH COVER REMOVED



SECTION A-A



MATERIAL:  
 BODY - POLYCARBONATE RESIN 10% GLASS FIBER FILLED  
 COVER - POLYCARBONATE  
 COLOR:  
 BODY - LIGHT GRAY  
 COVER - LIGHT GRAY OR CLEAR (SUFFIX -C)  
 UL508 / NEMA TYPE 4X WITH IP-67 TUV RATING & UL-94V0 RATING  
 CONTINUOUS GASKET IN COVER  
 SUPPLIED WITH FOUR M5 x 10mm LG. TRUSS HEAD MACHINE SCREWS  
 DIMENSIONS ARE INCH[MM]  
 DRAWING FOR REFERENCE  
 OPTIONAL ACCESSORIES:  
 INTERNAL STEEL PANEL - #PTX-11064  
 INTERNAL PLASTIC PANEL - #PTX-11064-P  
 MOUNTING BRACKET KIT (STAINLESS STEEL) - #NBX-10922

# Mouser Electronics

Authorized Distributor

Click to View Pricing, Inventory, Delivery & Lifecycle Information:

[Bud Industries:](#)

[PTQ-11064](#) [PTQ-11064-C](#)