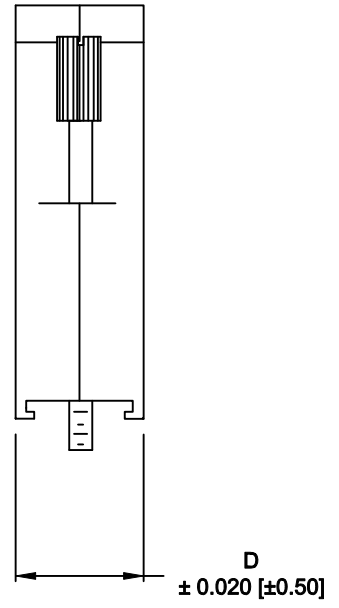
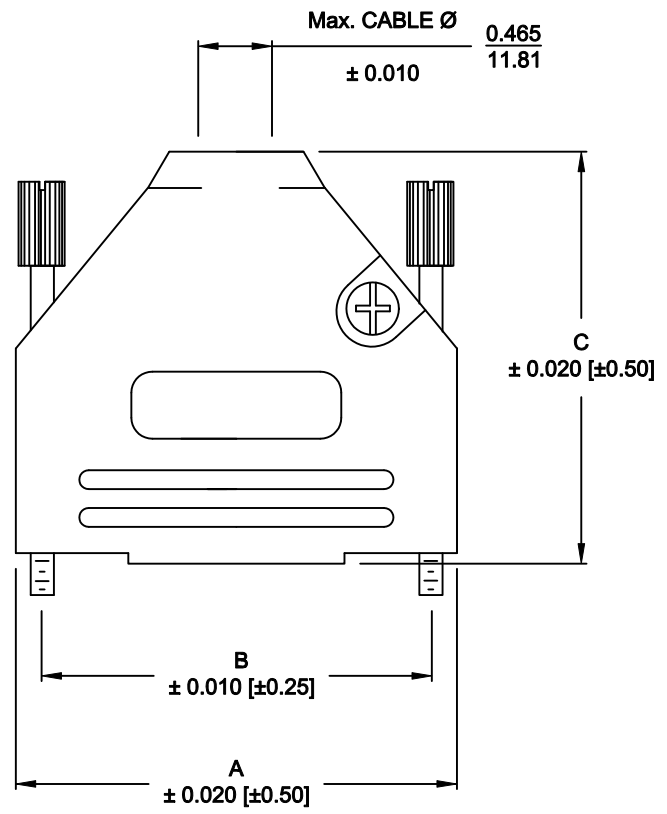


DESCRIPTION: 970 SERIES D-SUB BACKSHELL

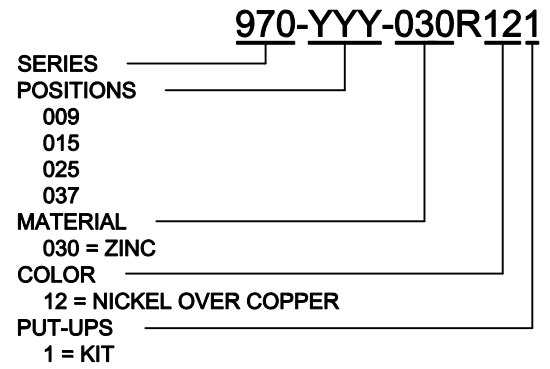
BACKSHELL KIT INCLUDES:

- (2) BACKSHELL HALVES
- (2) 4-40 THUMBSCREWS
- (2) HOUSING SCREWS
- (1) SET OF COMPRESSION INSERTS - VARIOUS SIZES
Ø0.157 [4.0], Ø0.197 [5.0], Ø0.276 [7.0], Ø0.354 [9.0]
- (1) COMPRESSION SPRING


MATERIAL: DIE-CAST ZINC ALLOY
 PLATING: NICKEL OVER COPPER
 JACKSCREWS: STEEL, ZINC PLATED
 M3 HOODSCREWS: STEEL, ZINC PLATED
 COMPRESSION INSERT: ABS UL 94-HB
 COMPRESSION SPRING: STEEL, NICKEL PLATED
 OPERATING TEMP: -40°C TO +120°C



DIMENSIONS (IN.)				
No. OF PINS	A	B	C	D
9	1.228	0.984	1.571	0.590
	31.19	24.99	39.90	14.99
15	1.555	1.312	1.634	0.590
	39.50	33.32	41.50	14.99
25	2.102	1.852	1.913	0.590
	53.39	47.04	48.59	14.99
37	2.744	2.500	2.110	0.590
	69.70	63.50	53.59	14.99



RoHS COMPLIANT

	THESE DRAWINGS AND SPECIFICATIONS ARE THE PROPERTY OF NorComp AND SHALL NOT BE REPRODUCED, COPIED OR USED AS THE BASIS FOR THE MANUFACTURE OR SALE OF APPARATUS WITHOUT WRITTEN PERMISSION.		DRAWN: PAM JENKINS	DATE: 6-10-05
				CHECKED:
NorComp		SCALE	SHEET 1 OF 1	REV 13
		DWG NO. 970 -YYY-030R121		

Mouser Electronics

Authorized Distributor

Click to View Pricing, Inventory, Delivery & Lifecycle Information:

[NorComp:](#)

[970-009-030R121](#) [970-037-030R121](#) [970-015-030R121](#) [970-025-030R121](#)