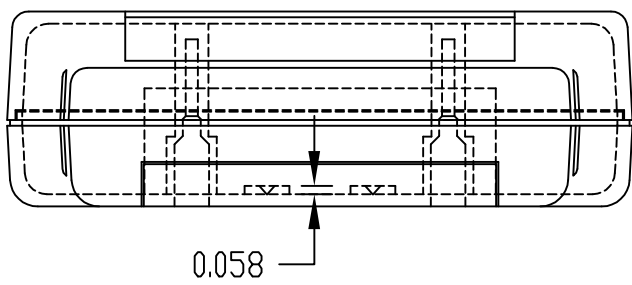
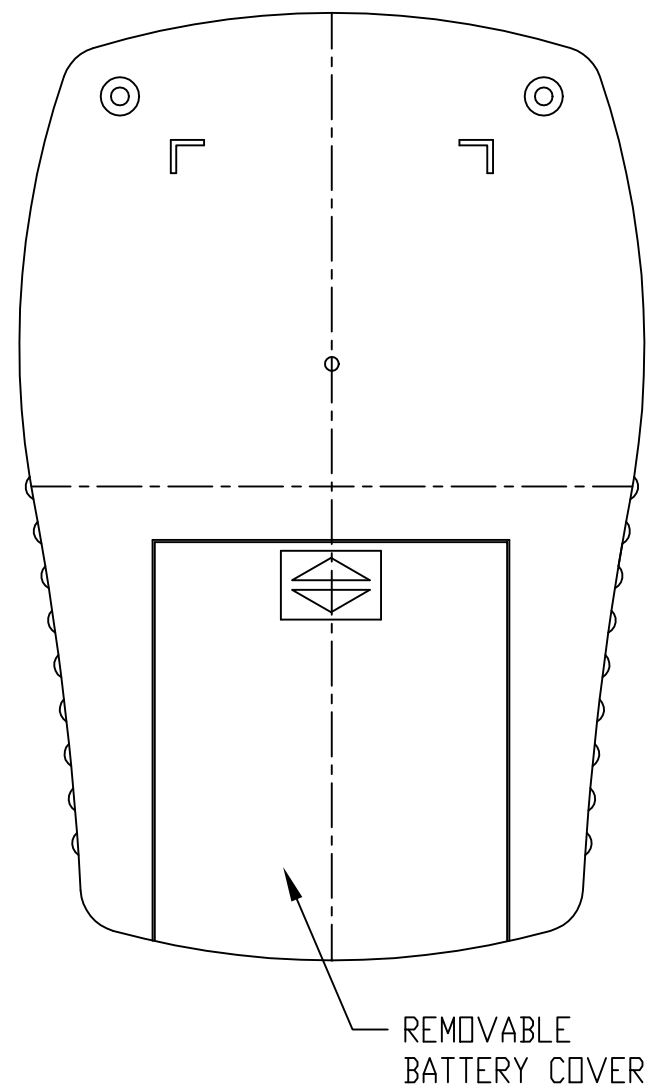
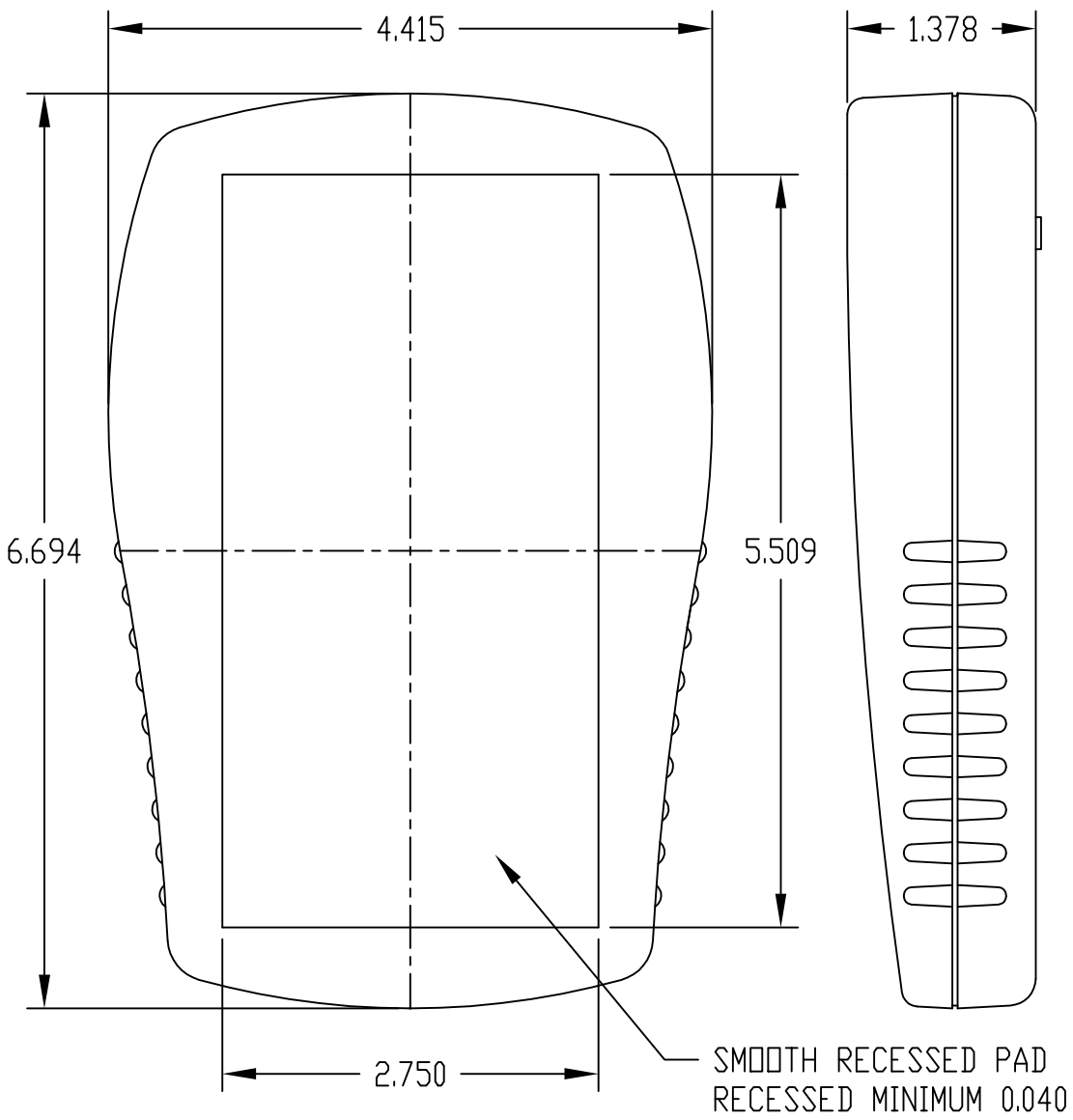


PART NAME	HAND HAND BOX (STYLE N)	PART No.	HH-3610-BC	REV. DATE	8-27-08
-----------	-------------------------	----------	------------	-----------	---------

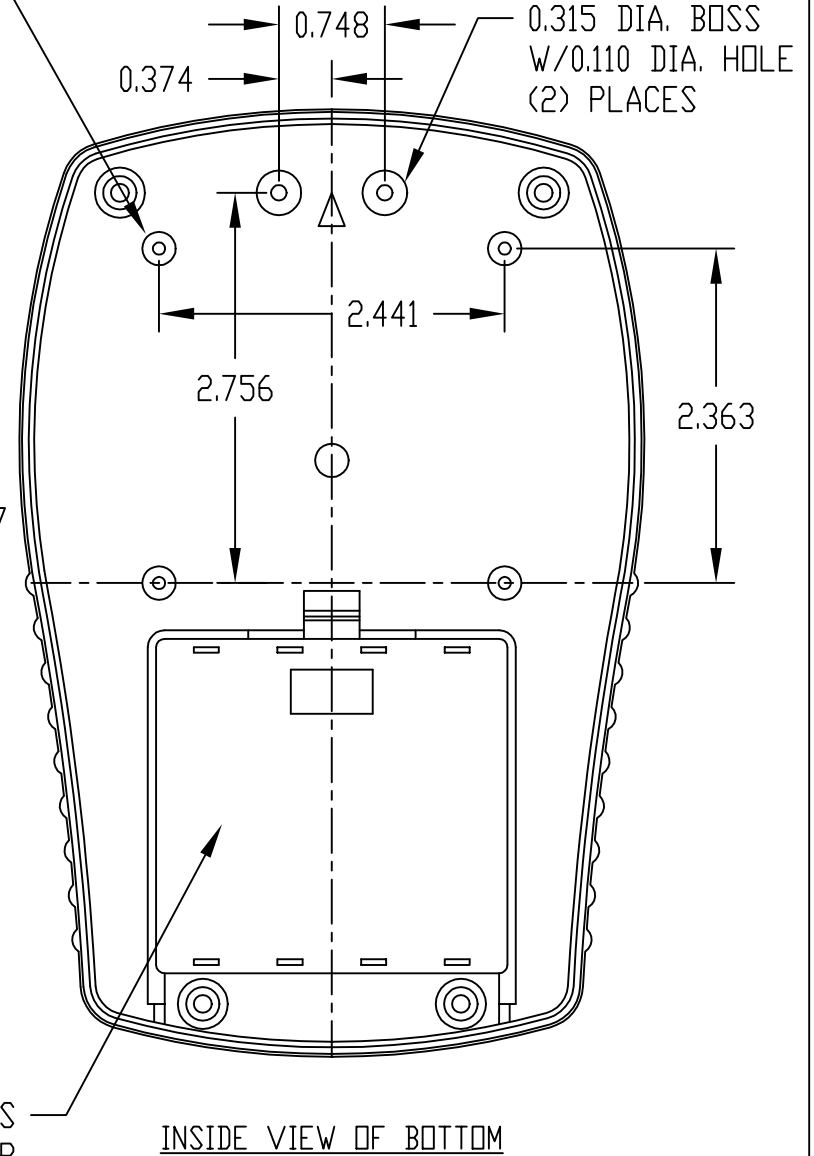
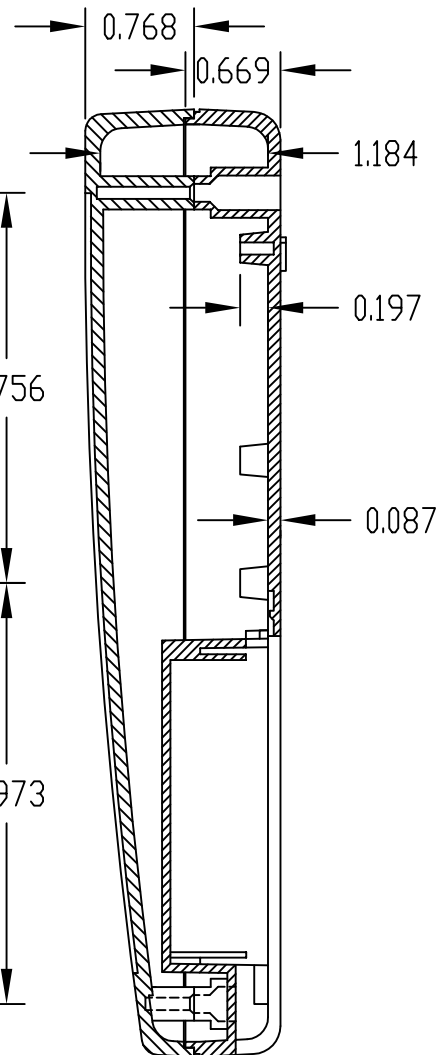
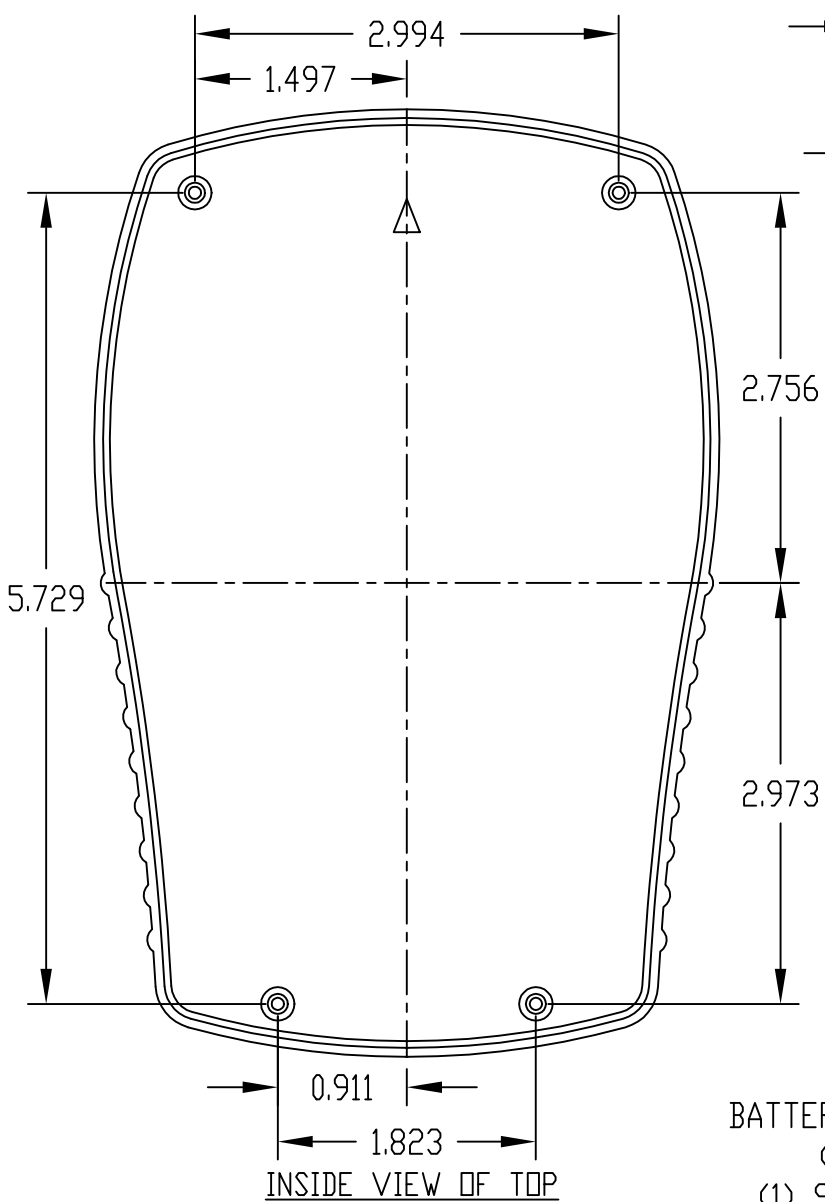
MATERIAL: HIGH IMPACT ABS WITH UL94V-0 FLAMMABILITY RATING
FINISH: TEXTURED BLACK

ALL DIMENSIONS HAVE ± 0.015 TOLERANCE
FOUR (4) M3 x 1/2" LG. FLAT HD. STAINLESS STEEL SCREWS SUPPLIED FOR ASSEMBLY



0.236 DIA. BOSS WITH 0.087 DIA. HOLE (4) PLACES

NOTE: MOUNTING BOSSES USE EITHER M2.5 METRIC OR #4 STD. SHEET METAL SCREWS x 3/16" LG. (NOT SUPPLIED)



BATTERY COMPARTMENT ACCEPTS (2) OR (4) AA, (1) 9V, OR (1) 9V AND (2) AA BATTERIES

Mouser Electronics

Authorized Distributor

Click to View Pricing, Inventory, Delivery & Lifecycle Information:

[Bud Industries:](#)

[HH-3610-BCB](#)