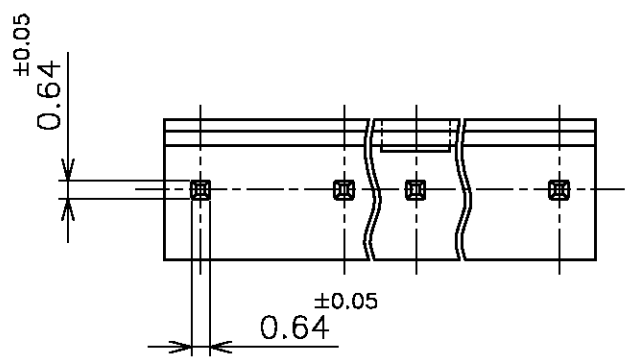
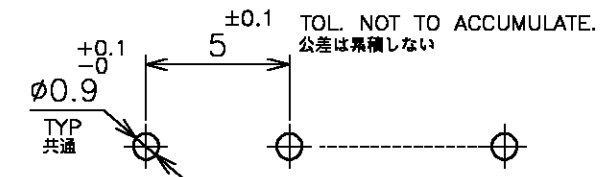
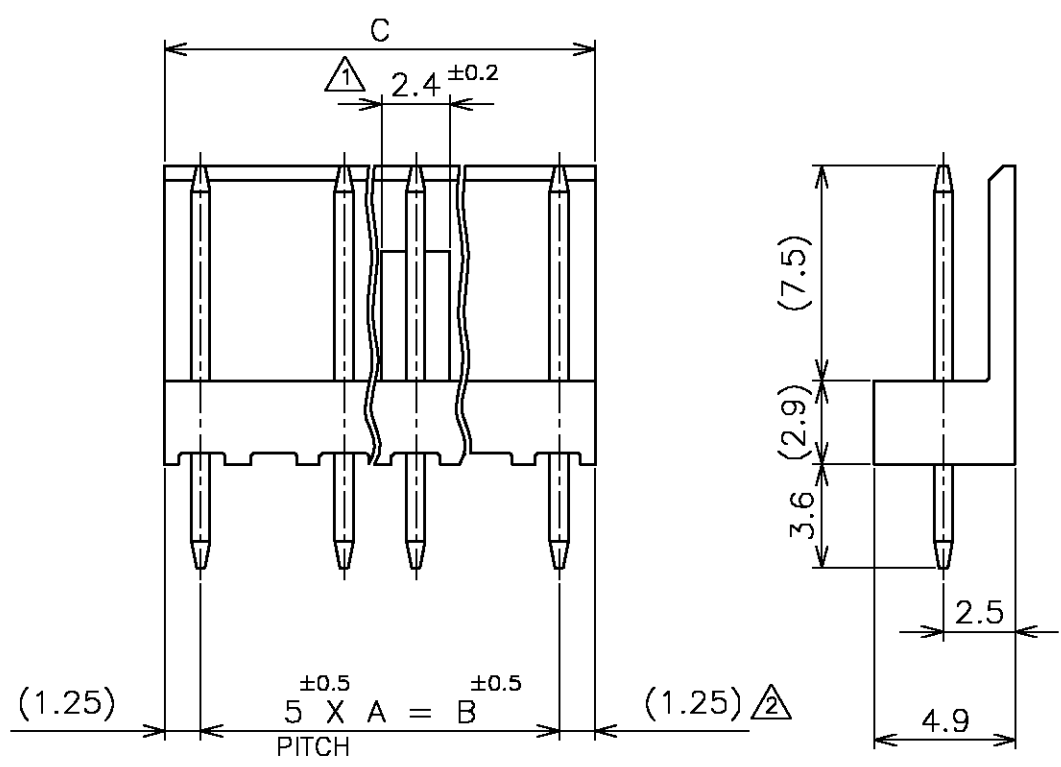


LOC	DIST	REVISIONS					
J	-	P	LTR	DESCRIPTION	DATE	DWN	APVD
		E		REVISED FJB0-0393-03	07MAY03	H.T	I.E



① LOCKING HOLE IS PLACED ON THE CENTER OF POST HEADER.  
 ② 3.75 REF FOR -6 (6 POS) ONLY.

① ロッキング凹部位置は長手方向の中央。  
 ② -6 (6極品) のみ 3.75 参考



RECOMMENDED BOARD LAYOUT (1.6 THK)  
 取付基板穴寸法 (基板厚 1.6t)

30.0	25.0	5	6	4-172106-6	2-172106-6	172106-6
22.5	20.0	4	5	4- ↑ -5	2- ↑ -5	↑ -5
17.5	15.0	3	4	4- -4	2- -4	-4
12.5	10.0	2	3	4- -3	2- -3	-3
7.5	5.0	1	2	4-172106-2	2-172106-2	172106-2
±0.2 C	±0.5 B	A	NO OF POS 極数	BLUE 青色	BLACK 黒色	NATURAL 自然色
				PART NUMBER 型番		

THIS DRAWING IS A CONTROLLED DOCUMENT.		DWN S.TSUKAKOSHI 29MAR79	Tyco Electronics AMP K.K. Kawasaki, Japan	
DIMENSIONS: 単位: 純 MM		CHK N.ONOUE 30MAR79	NAME 名称	
TOLERANCES UNLESS OTHERWISE SPECIFIED: 一般公差		APVD N.ONOUE 30MAR79	5mm PITCH POST HEADER ASSY (VERTICAL) AMP EI SERIES CONNECTOR	
0 PLC ± 0.3 1 PLC ± 0.3 2 PLC ± 0.3 3 PLC ± 0.3 4 PLC ± 0.3 ANGLES ±		PRODUCT SPEC 製品規格	SIZE A3	CAGE CODE 00779
MATERIAL 材料 HSG : 66NYLON UL94V-0 POST: BRASS		APPLICATION SPEC 取付適用規格	DRAWING NO 番号 C-172106	RESTRICTED TO —
FINISH 仕上 POST: TIN-PLATE		WEIGHT	SCALE 尺度 4:1	
		CUSTOMER DRAWING	SHEET 1 OF 1	
			REV E	

# Mouser Electronics

Authorized Distributor

Click to View Pricing, Inventory, Delivery & Lifecycle Information:

[TE Connectivity:](#)

[172106-6](#)