

THIS DRAWING IS UNPUBLISHED.

RELEASED FOR PUBLICATION

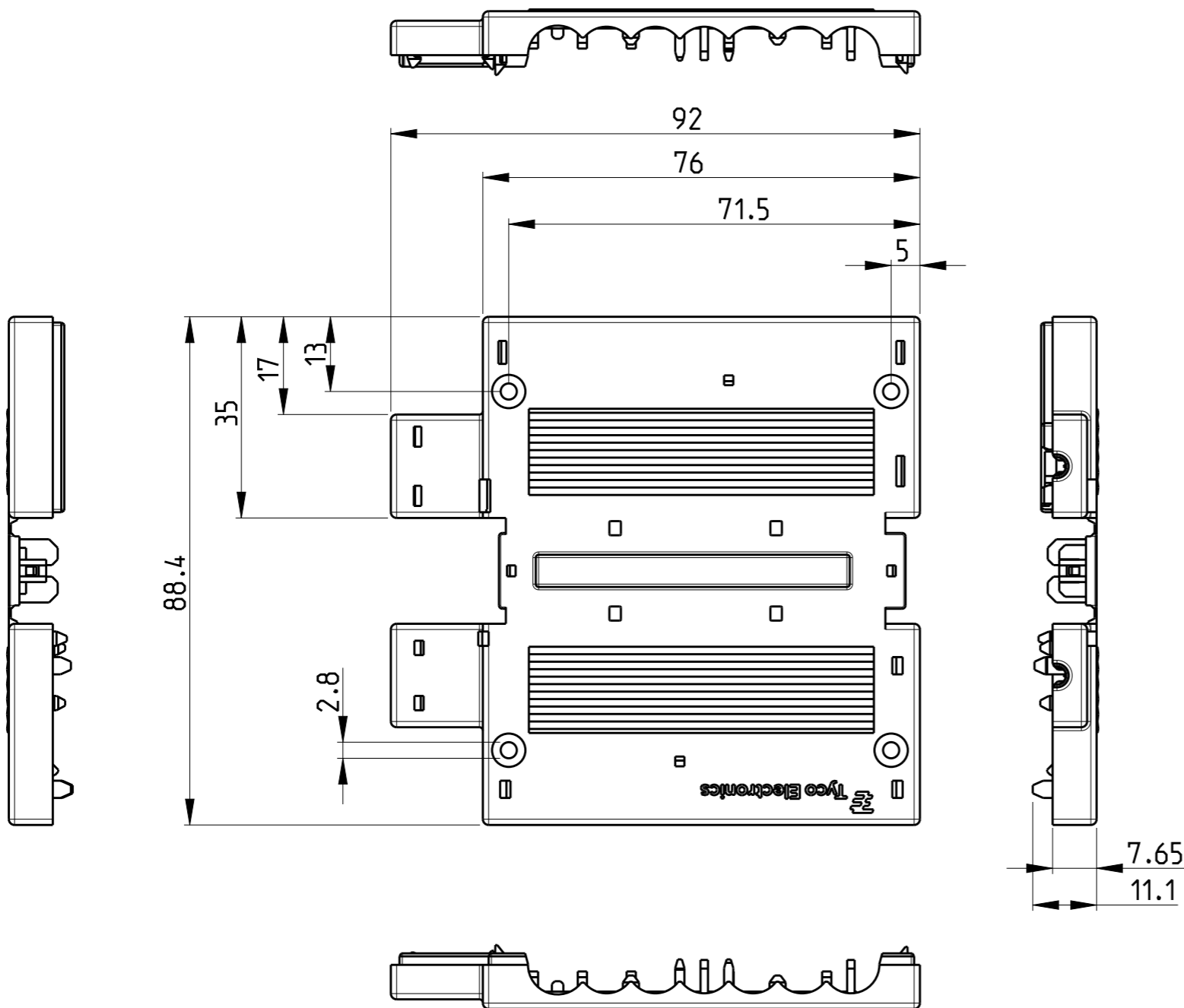
2007

© COPYRIGHT 2007 BY -

ALL RIGHTS RESERVED.

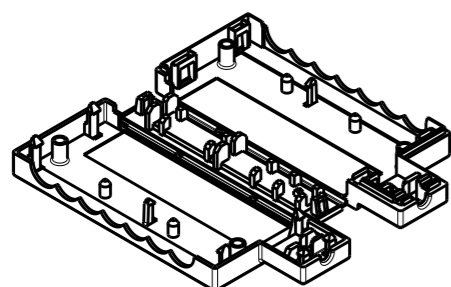
REVISIONS

P	LTR	DESCRIPTION	DATE	DWN	APVD
E		inner geometry update	05MAY2008	SKA	TG
F		NEW TYCO ELECTRONICS LOGO	25JUN2010	AV	GT
F1		ADDED PART NUMBERS -1.-2	22OCT2010	AV	GT
G		ECR-16-003641	12MAY2016	RS	JL





NOTES:

1. Counterpart is Distributor PN 1740317-x



1:2

1740315-2	F	BLACK
1740315-1	F	WHITE
PN	REV.	COLOR

THIS DRAWING IS A CONTROLLED DOCUMENT.		DWN S. Skade 06 JUL 2007	 TE Connectivity		
DIMENSIONS: mm		CHK P. Kraemer 06 JUL 2007			
TOLERANCES UNLESS OTHERWISE SPECIFIED:		APVD T. Gerlach 06 JUL 2007			
		PRODUCT SPEC 108-94019	NAME 7.5mm MiniHVL CONNECTOR SYSTEM COVER FOR DISTRIBUTOR		
MATERIAL PA6		FINISH -	APPLICATION SPEC 114-18752	SIZE A3	CAGE CODE 00779
		WEIGHT 14.7 g	DRAWING NO C-1740315	RESTRICTED TO -	
CUSTOMER DRAWING			SCALE 1:1	SHEET 1 OF 1	REV G

Mouser Electronics

Authorized Distributor

Click to View Pricing, Inventory, Delivery & Lifecycle Information:

[TE Connectivity:](#)

[1740315-2](#)