

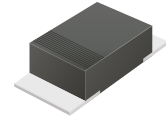
CDBM220L-HF Thru. CDBM240L-HF

Reverse Voltage: 20 to 40 Volts

Forward Current: 2.0 Amp

RoHS Device

Halogen free

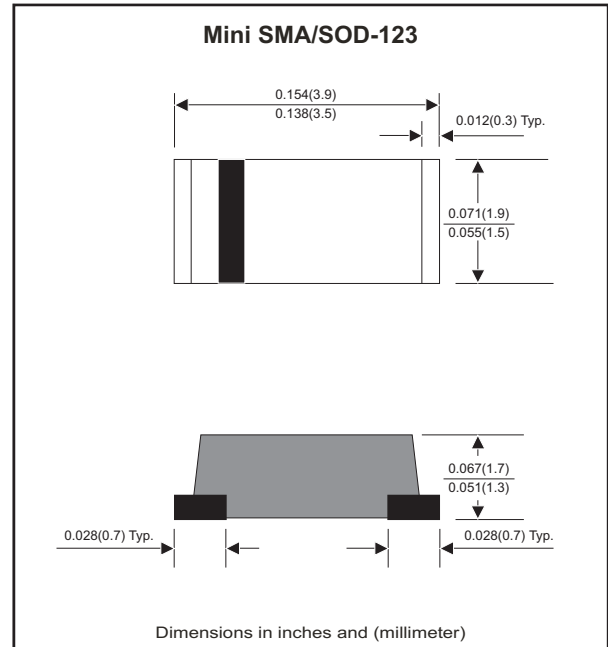


Features

- Ideal for surface mount applications.
- Easy pick and place.
- Plastic package has Underwriters Lab. flammability classification 94V-0.
- Exceeds environmental standard MIL-S-19500/228.
- Low leakage current.

Mechanical data

- Case: Mini SMA/SOD-123, molded plastic.
- Terminals: solderable per MIL-STD-750, method 2026.
- Polarity: Color band denotes cathode end.
- Approx. weight: 0.018 grams



Maximum Ratings and Electrical Characteristics

Parameter	Symbol	CDBM220L-HF	CDBM230L-HF	CDBM240L-HF	Units
Repetitive peak reverse voltage	V_{RRM}	20	30	40	V
Continuous reverse voltage	V_R	20	30	40	V
Max. RMS voltage	V_{RMS}	14	21	28	V
Peak surge forward current, 8.3ms single half sine-wave superimposed on rate load (JEDEC method)	I_{FSM}	50			A
Forward rectified current	I_o	2.0			A
Max. forward voltage at $I_F=2.0A$	V_F	0.38	0.40	0.38	V
Reverse current	$V_R=V_{RRM}$ $T_A=25^\circ C$	1.0			mA
	$V_R=V_{RRM}$ $T_A=125^\circ C$	10			
Max. thermal resistance, junction to ambient	$R_{\theta JA}$	70			$^\circ C/W$
Diode junction capacitance	C_J	160			pF
Storage temperature	T_{STG}	-65 to +175			$^\circ C$
Operating temperature	T_J	-55 to +125			$^\circ C$

RATING AND CHARACTERISTIC CURVES (CDBM220L-HF thru CDBM240L-HF)

Fig.1 - Typical Forward Characteristics

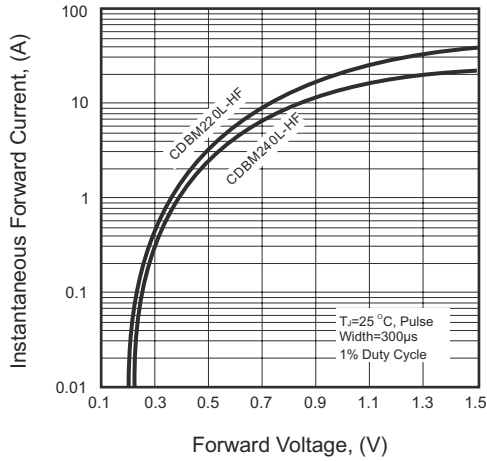


Fig.2 - Typical Forward Current Derating Curve

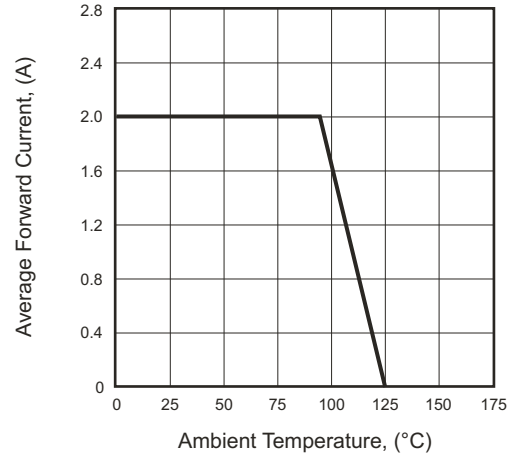


Fig.3 - Typical Reverse Characteristics

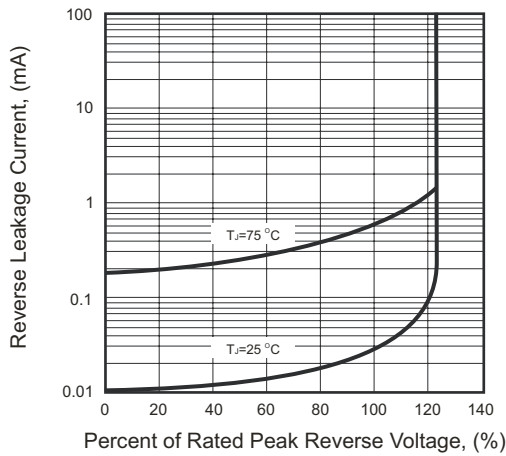


Fig.4 - Max. Non-repetitive Forward Surge Current

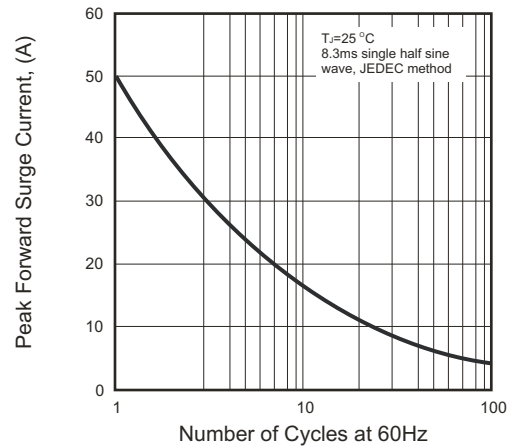
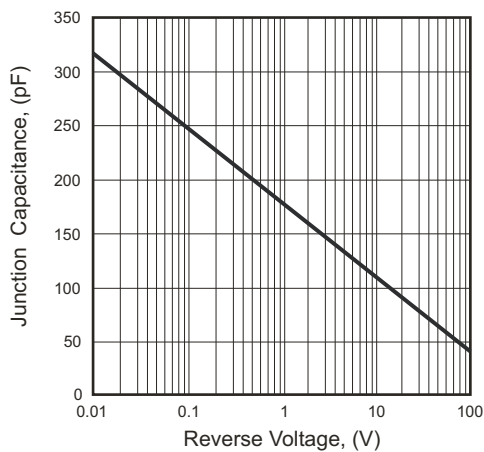
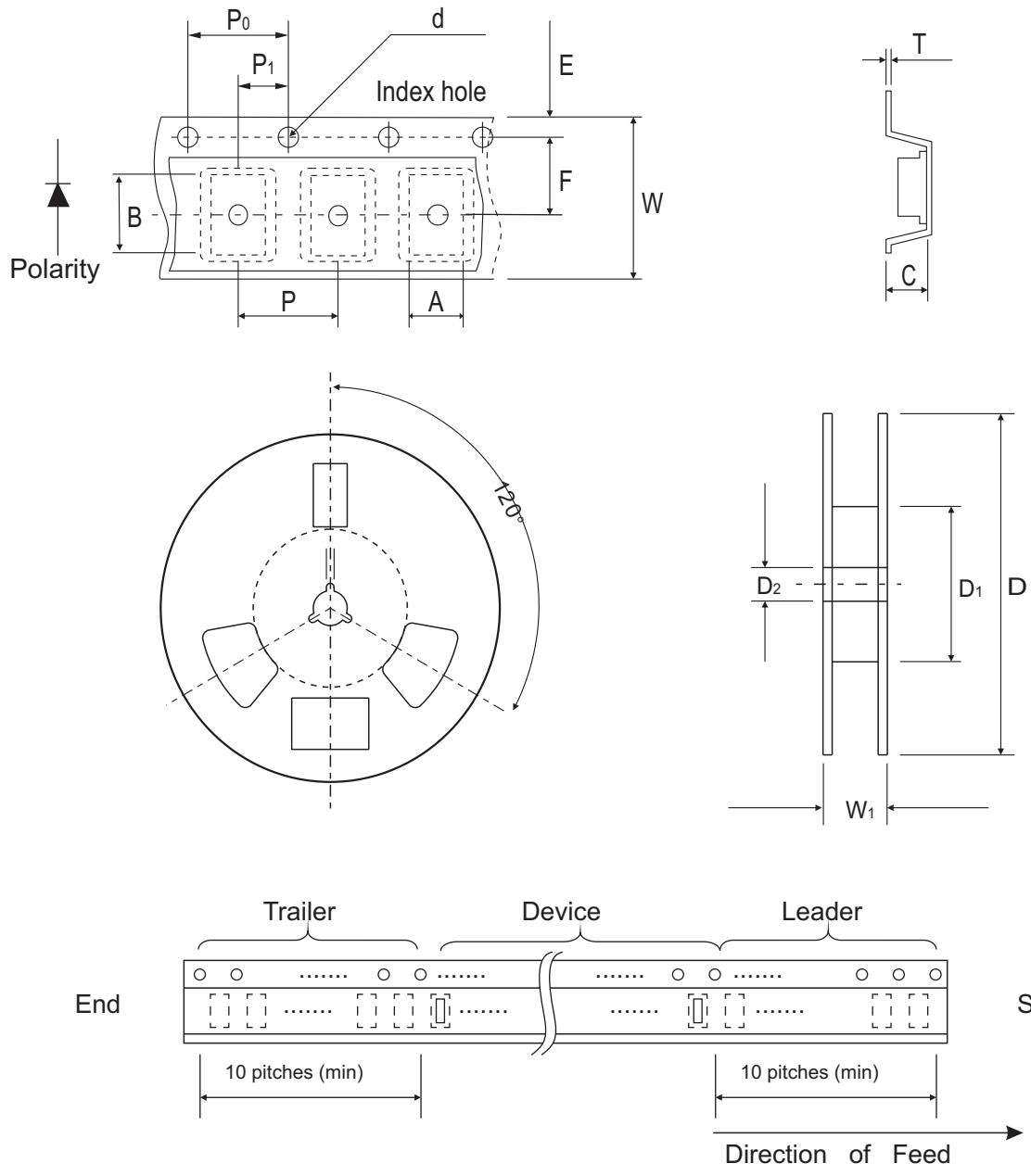


Fig.5 - Typical Junction Capacitance



Reel Taping Specification



	SYMBOL	A	B	C	d	D	D1	D2
Mini-SMA/SOD-123	(mm)	1.90 ± 0.10	3.90 ± 0.10	1.68 ± 0.10	1.50 ± 0.10	178 ± 2.00	62.0 MIN.	13.0 ± 0.50
	(inch)	0.075 ± 0.04	0.153 ± 0.04	0.066 ± 0.04	0.059 ± 0.004	7.00 ± 0.079	2.440 MIN.	0.512 ± 0.020

	SYMBOL	E	F	P	P0	P1	W	W1
Mini-SMA/SOD-123	(mm)	1.75 ± 0.10	3.50 ± 0.10	4.00 ± 0.10	4.00 ± 0.10	2.00 ± 0.10	8.00 ± 0.30	11.4 ± 1.0
	(inch)	0.689 ± 0.004	0.138 ± 0.004	0.157 ± 0.004	0.157 ± 0.004	0.079 ± 0.004	0.315 ± 0.011	0.449 ± 0.039

Marking Code

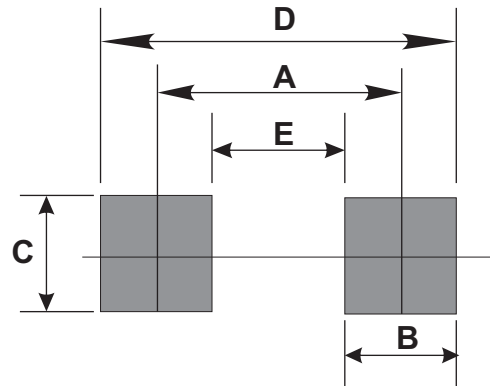
Part Number	Marking Code
CDBM220L-HF	L22
CDBM230L-HF	L23
CDBM240L-HF	L24



xxx = Product type marking code

Suggested PAD Layout

SIZE	Mini-SMA/SOD-123	
	(mm)	(inch)
A	3.30	0.130
B	1.40	0.055
C	1.90	0.075
D	4.70	0.185
E	1.90	0.075



Standard Packaging

Case Type	REEL PACK	
	REEL (pcs)	Reel Size (inch)
Mini-SMA/SOD-123	2,500	7

Mouser Electronics

Authorized Distributor

Click to View Pricing, Inventory, Delivery & Lifecycle Information:

[Comchip Technology:](#)

[CDBM240L-HF](#)