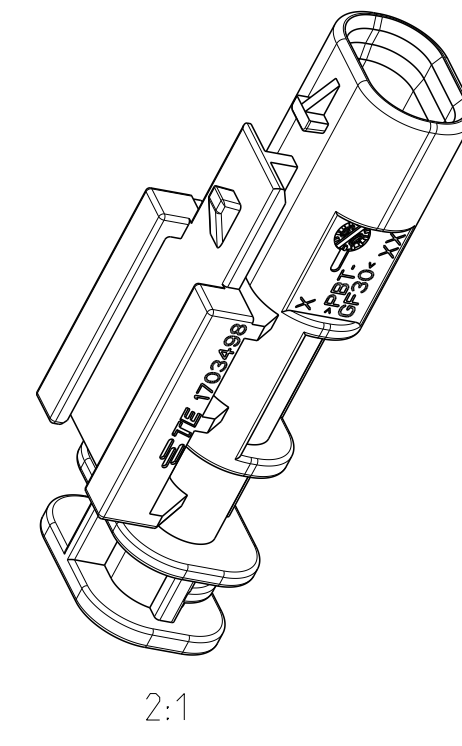
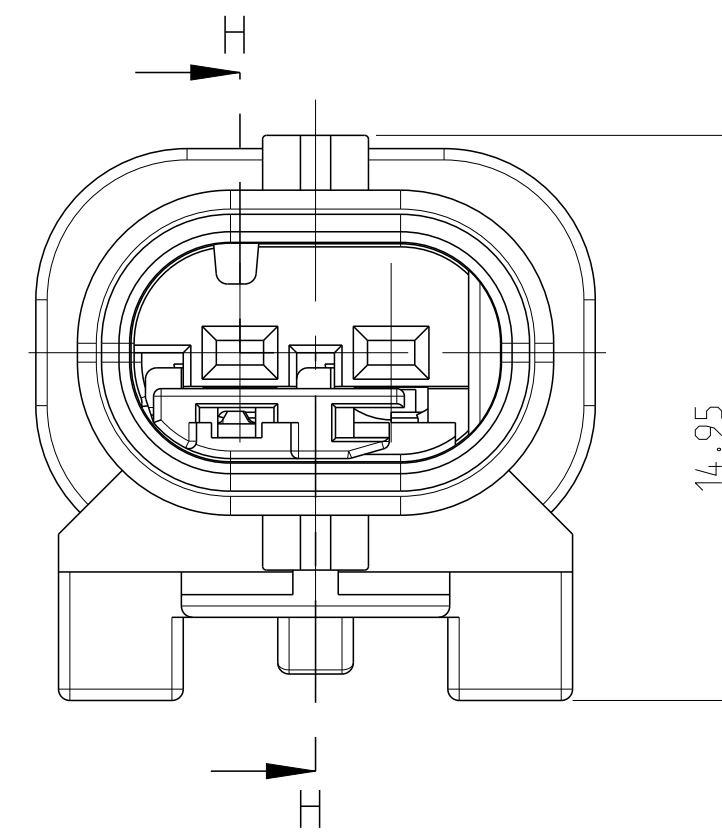
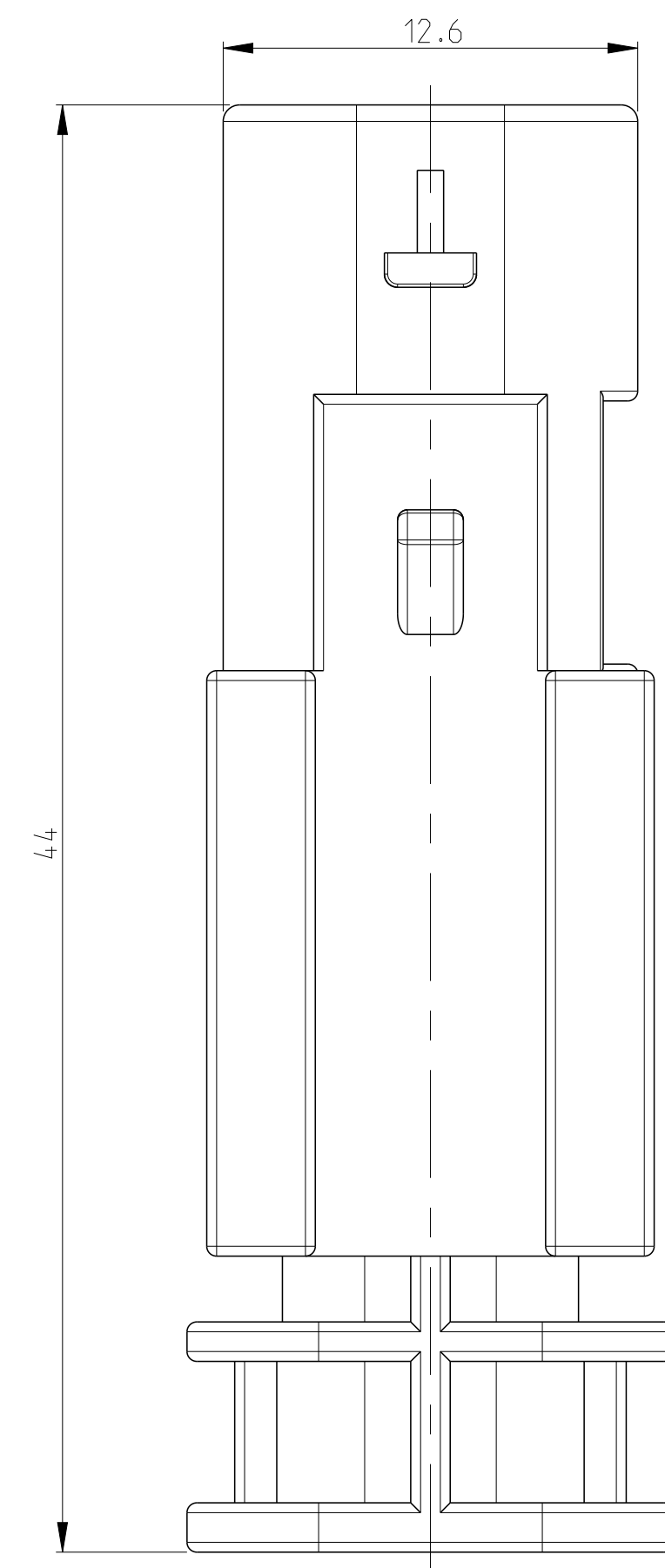
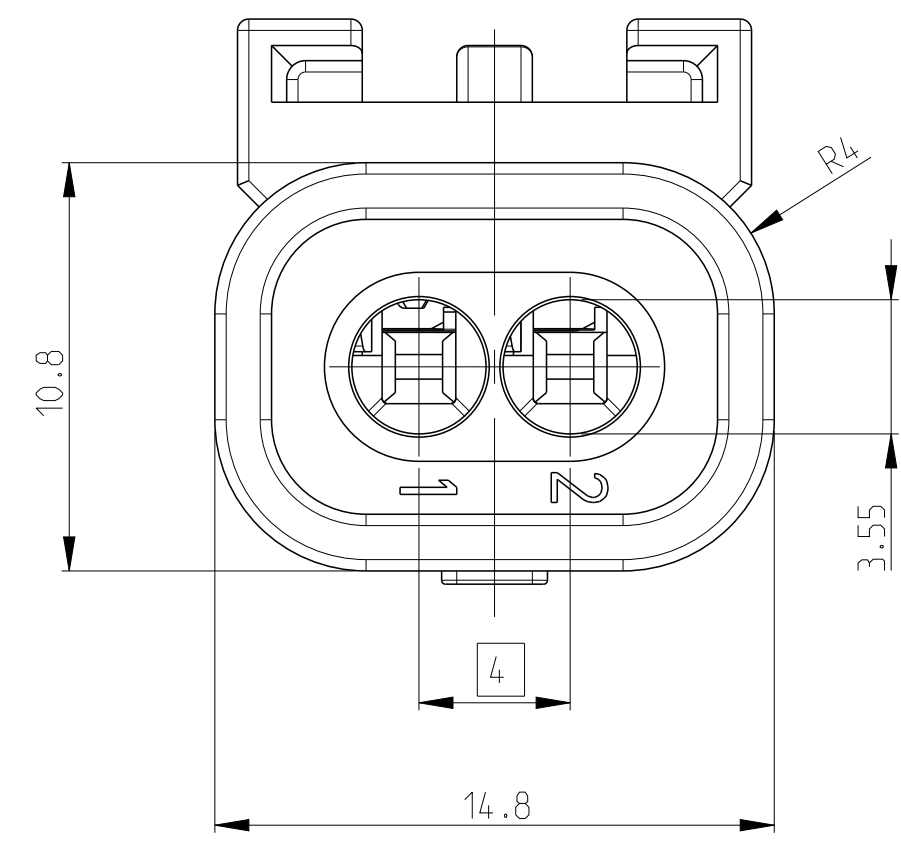
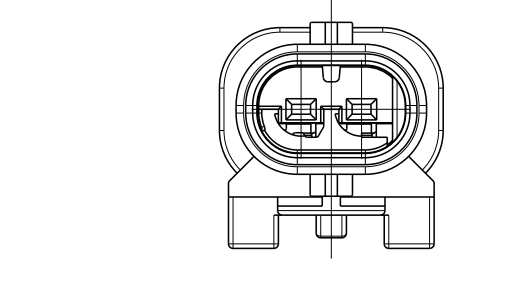


# SHOWN 1-1703498-1

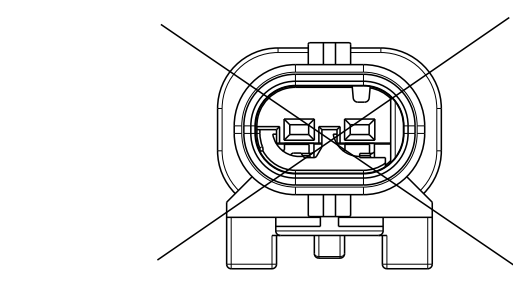


2:1

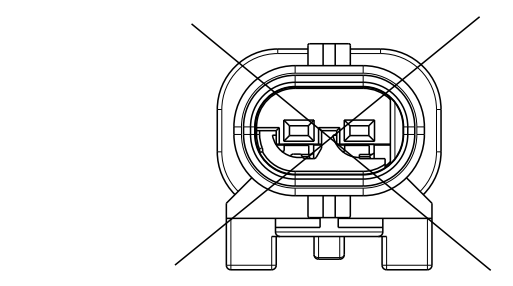
A 1-1703498-1



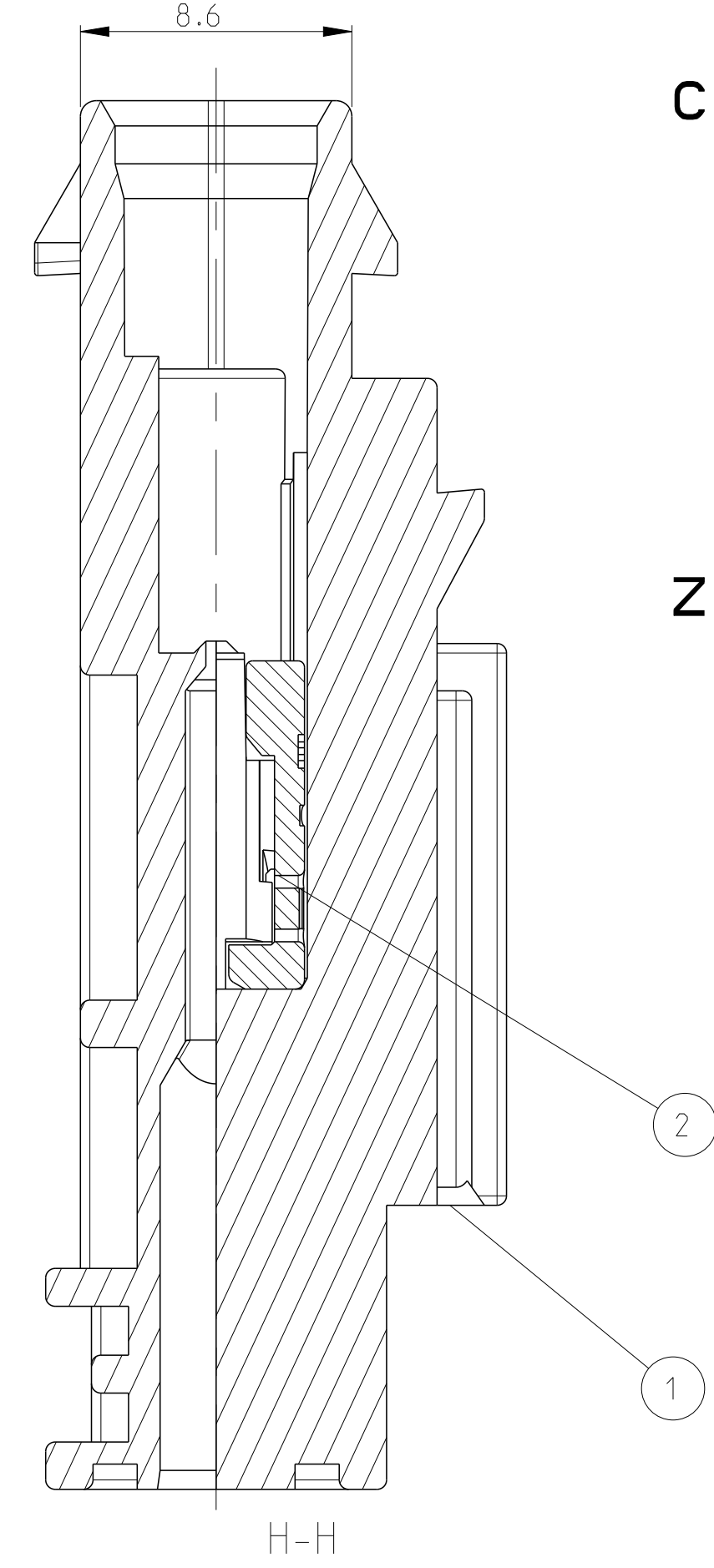
B 2-1703498-1



C 3-1703498-1



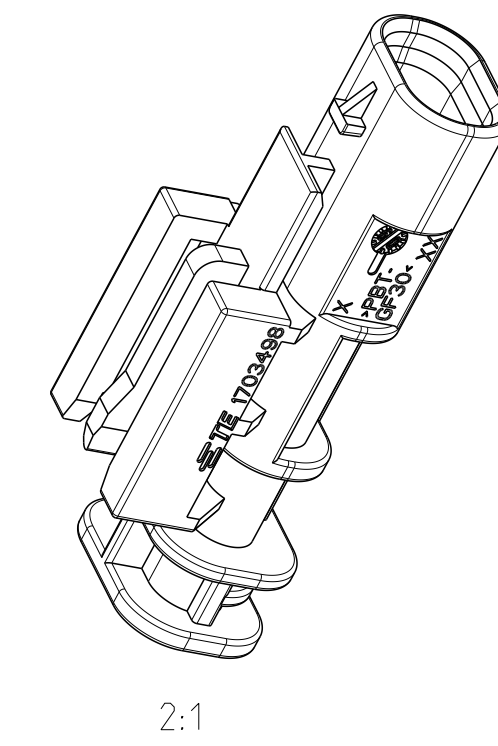
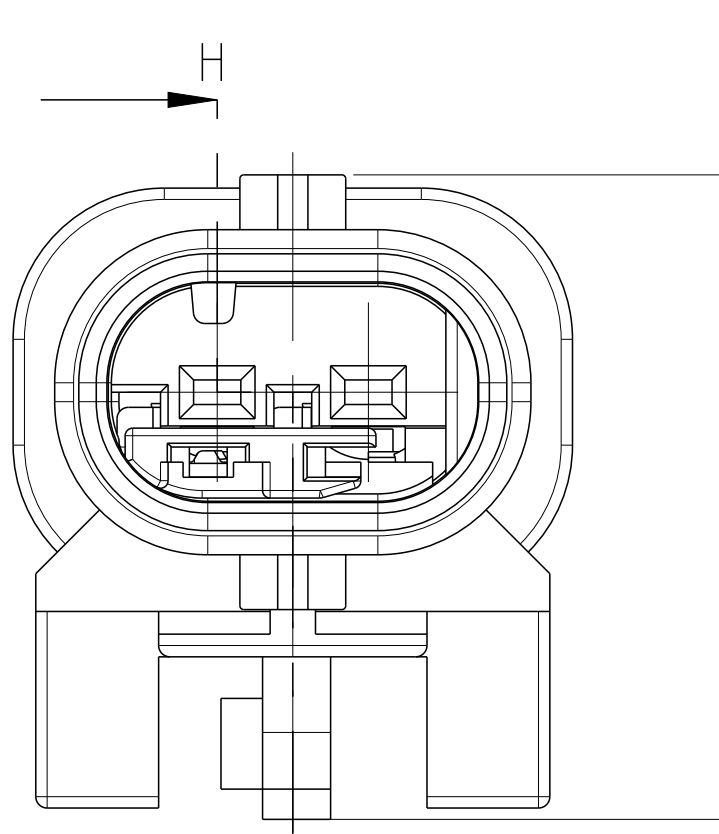
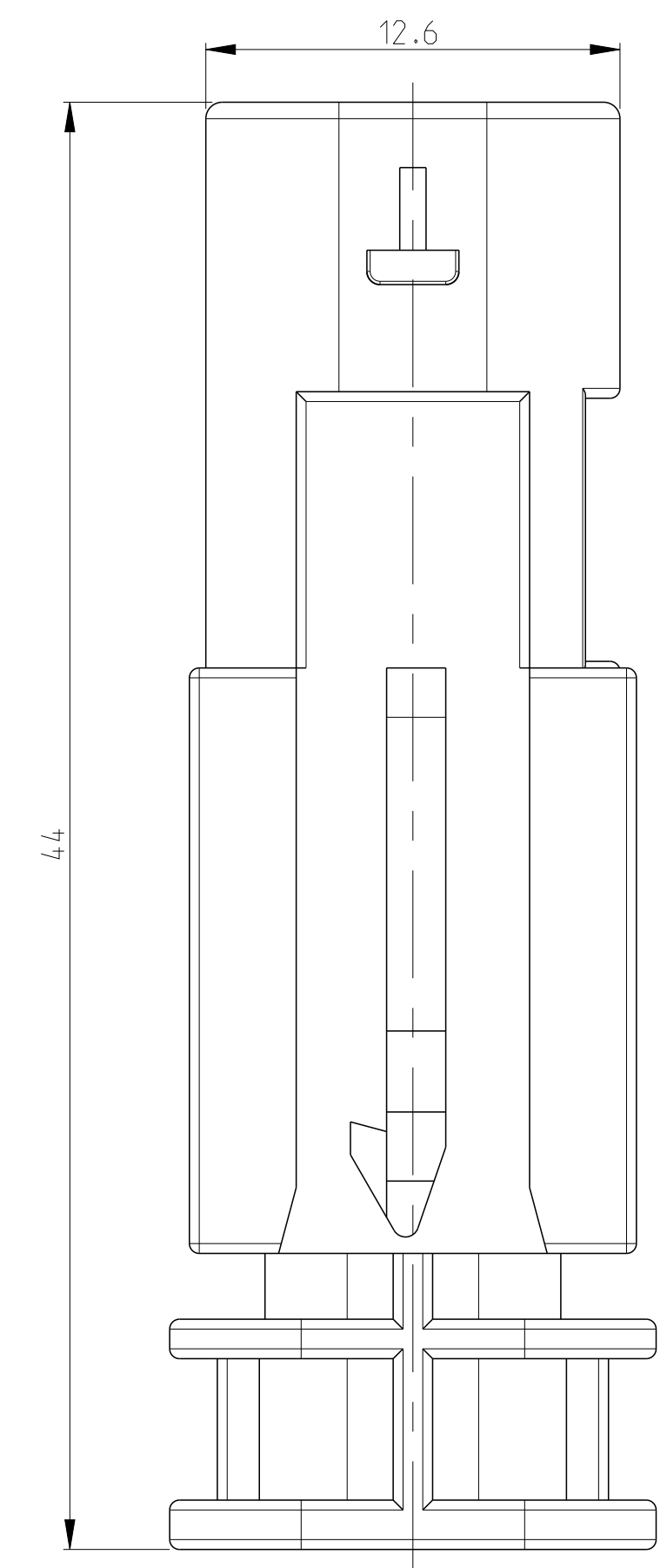
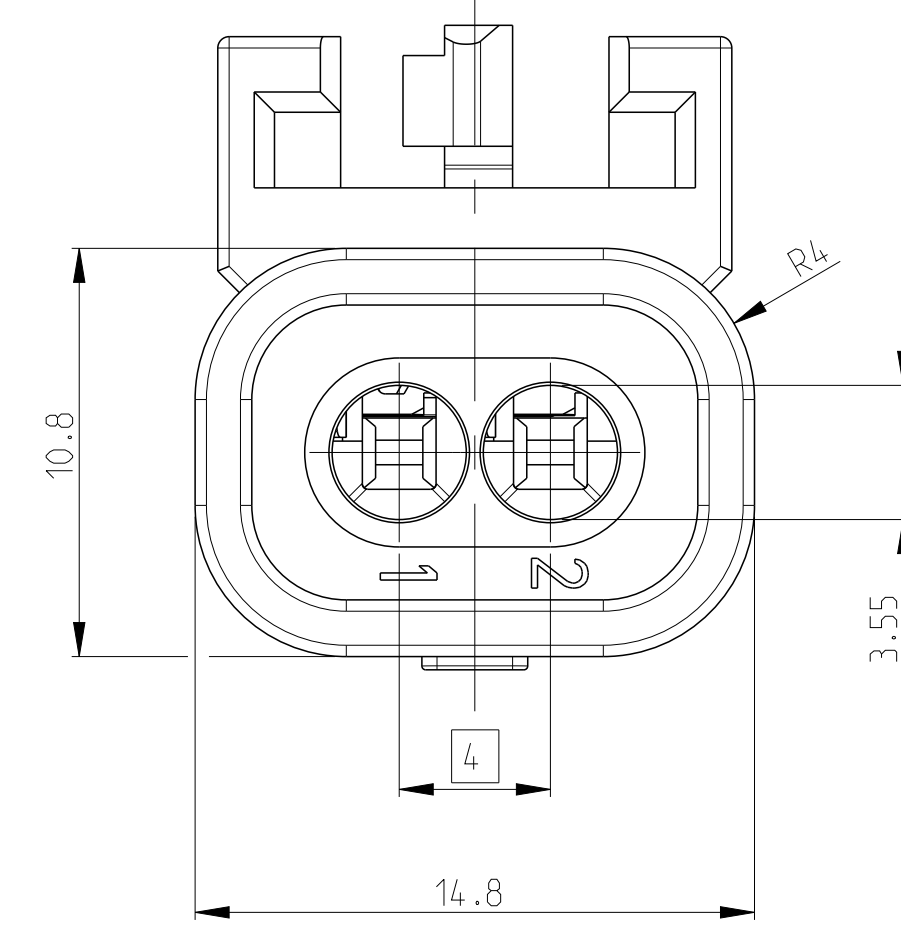
Z 4-1703498-1



H-H

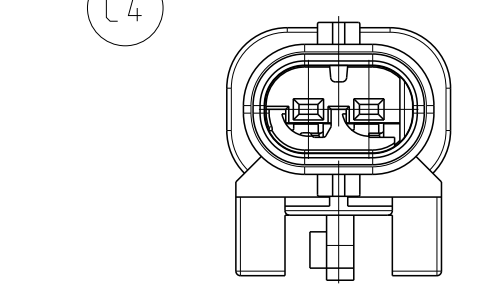
CODINGS  
2:1

# SHOWN 1-1703498-2

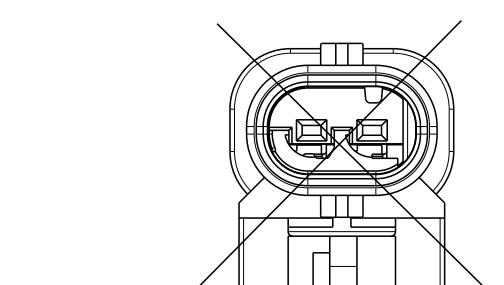


2:1

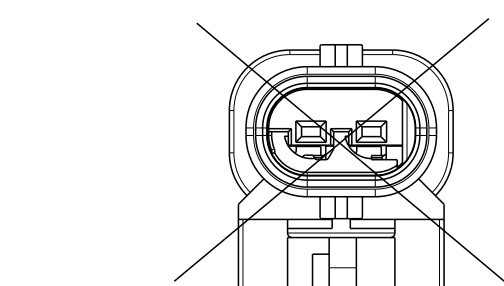
A 1-1703498-2  
1-1703498-5 (VW)



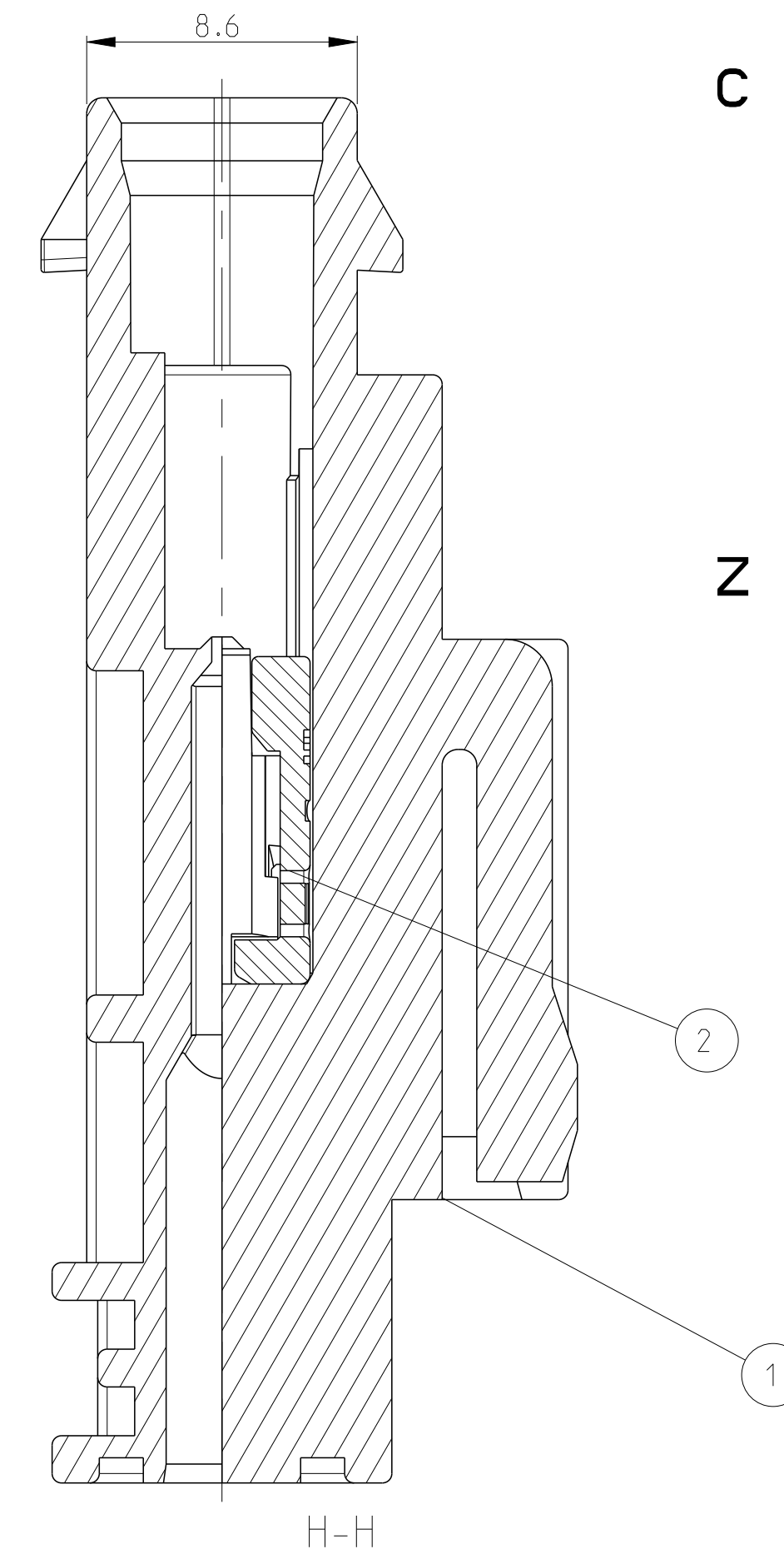
B 2-1703498-2



C 3-1703498-2



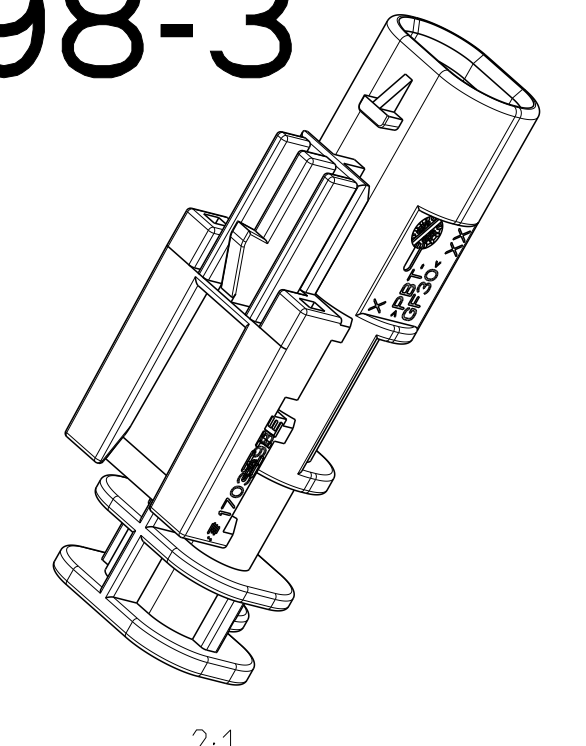
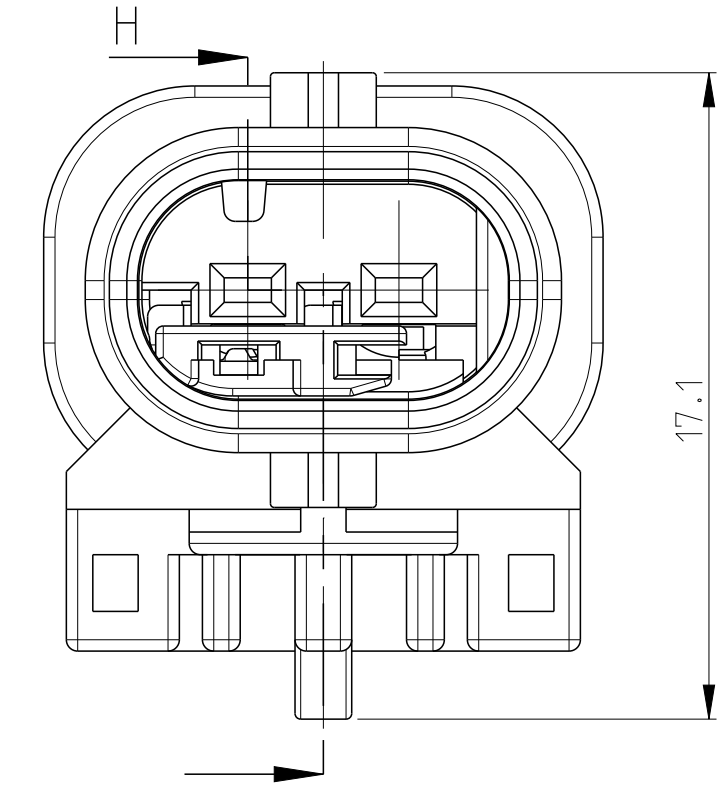
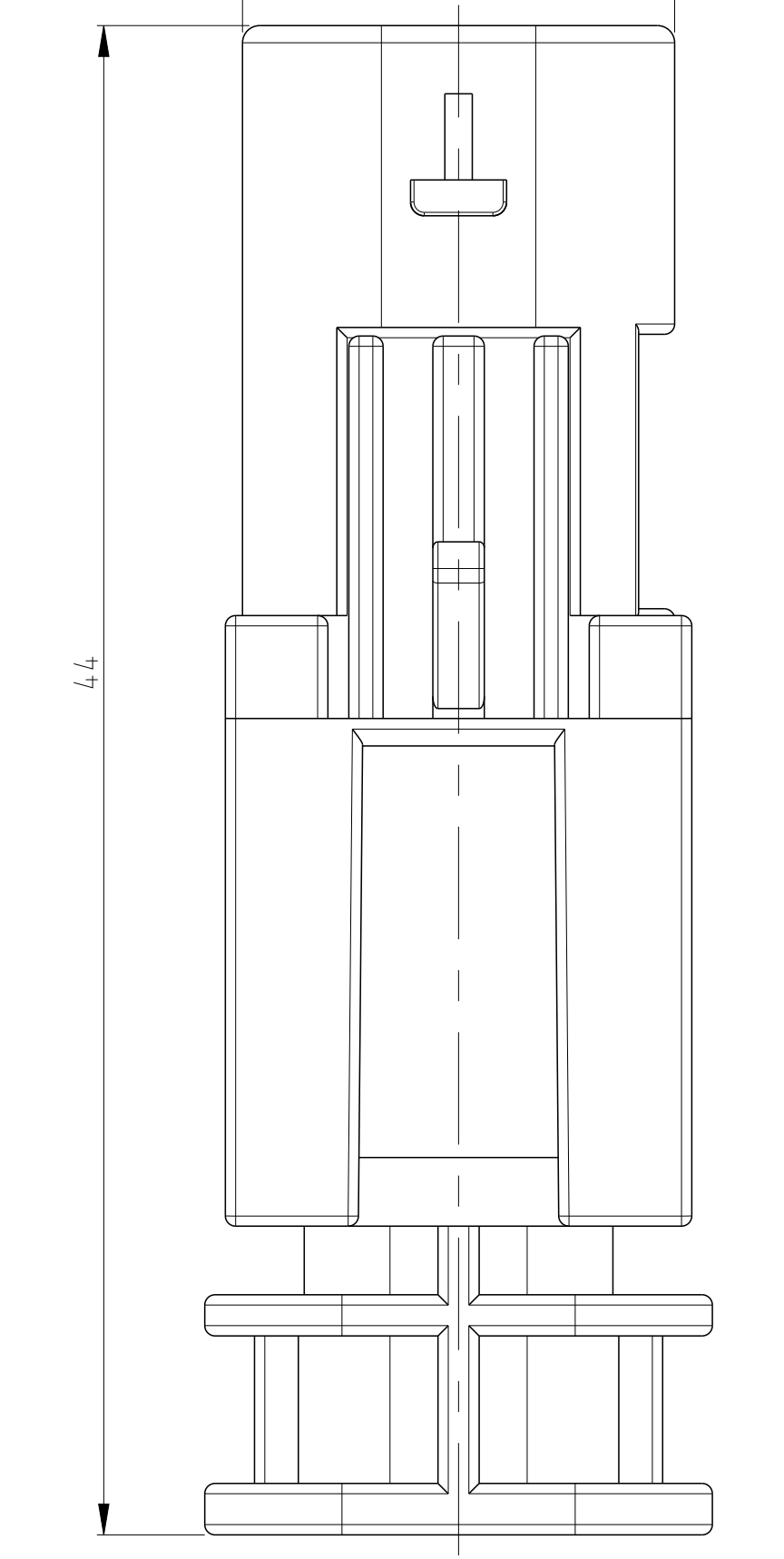
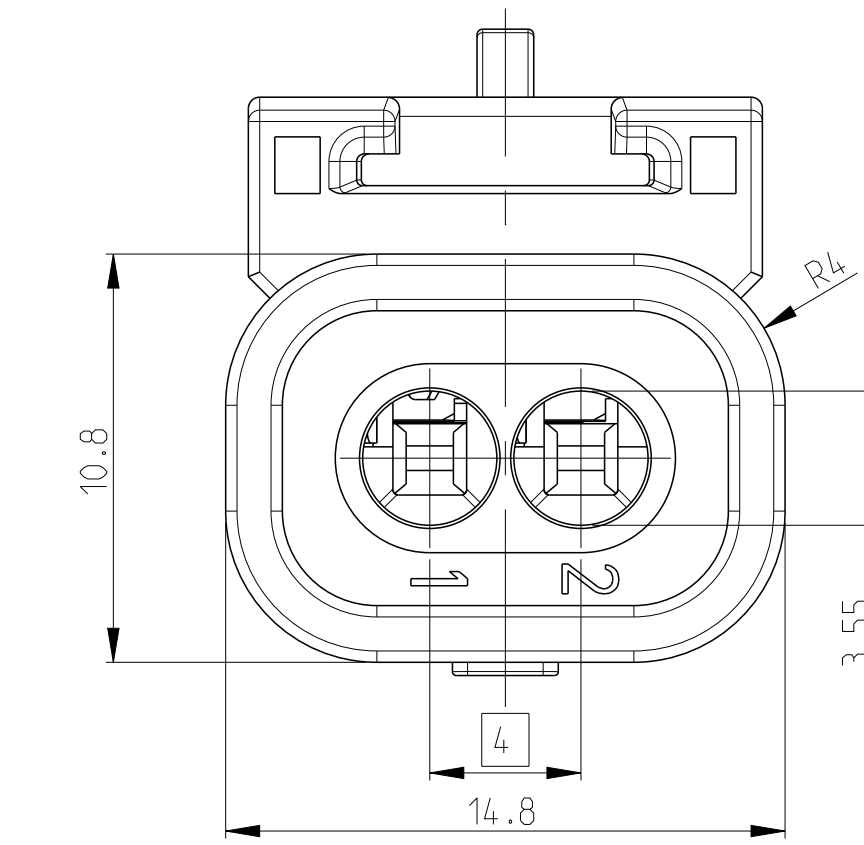
Z 4-1703498-2



H-H

CODINGS  
2:1

# SHOWN 1-1703498-3



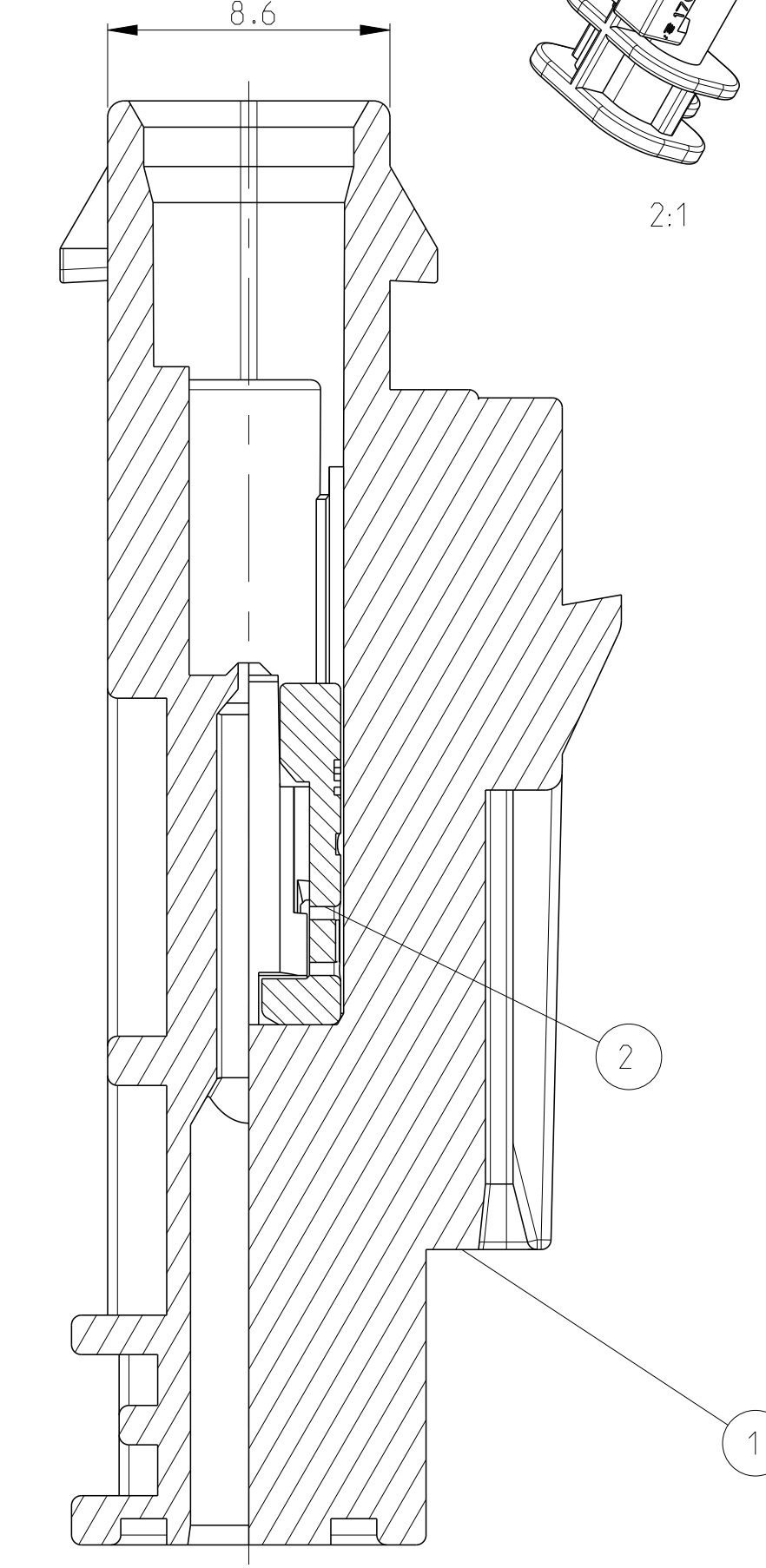
2:1

A 1-1703498-3 (BLACK)  
1-1703498-4 (YELLOW)

B 2-1703498-3 (GREY) (C6)  
2-1703498-4 (YELLOW)

C 3-1703498-3

Z 4-1703498-3



H-H

REV	DATE	BY	CHK	APPD
C3	28APR01	SK	HR	
C4	25SEP01	MT	HR	
C5	19MAR05	MT	HR	
C6	06APR07	LSZ	RT	

TE SUITABLE FEMALE HSG. PASSENDE BUCHSENGEH.	ASSY REV.	TE Bestell-Nr. ORDER-NO.	CODE	Benennung TITLE	QTY	Benennung Einzelteil TITLE	Werkstoff MATERIAL	Oberflaeche/Farbe SURFACE/CLOUR	Pos. ITEM
		2-1703498-4	B	Stiftgehaeuse 2pol. MALE HOUSING 2POS.	1	Kontaktsicherung RETAINER	PA66-GF35	violett/VIOLET	2
		1-1703498-4	A	Stiftgehaeuse 2pol. MALE HOUSING 2POS.	1	Stiftgehaeuse 2pol. MALE HOUSING 2POS.	PBT-GF30	gelb/YELLOW	1b
		1-1703498-4	A	Stiftgehaeuse 2pol. MALE HOUSING 2POS.	1	Kontaktsicherung RETAINER	PA66-GF35	violett/VIOLET	2
		1-1703498-4	A	Stiftgehaeuse 2pol. MALE HOUSING 2POS.	1	Stiftgehaeuse 2pol. MALE HOUSING 2POS.	PBT-GF30	gelb/YELLOW	1a
		1-1703498-3	Z	Stiftgehaeuse 2pol. MALE HOUSING 2POS.	1	Kontaktsicherung RETAINER	PA66-GF35	violett/VIOLET	2
		1-1703498-3	Z	Stiftgehaeuse 2pol. MALE HOUSING 2POS.	1	Kontaktsicherung RETAINER	PBT-GF30	schwarz/BLACK	1z
		1-1703498-3	C	Stiftgehaeuse 2pol. MALE HOUSING 2POS.	1	Kontaktsicherung RETAINER	PA66-GF35	violett/VIOLET	2
		1-1703498-3	C	Stiftgehaeuse 2pol. MALE HOUSING 2POS.	1	Stiftgehaeuse 2pol. MALE HOUSING 2POS.	PBT-GF30	schwarz/BLACK	1c
		2-1703498-3	B	Stiftgehaeuse 2pol. MALE HOUSING 2POS.	1	Kontaktsicherung RETAINER	PA66-GF35	violett/VIOLET	2
		2-1703498-3	B	Stiftgehaeuse 2pol. MALE HOUSING 2POS.	1	Stiftgehaeuse 2pol. MALE HOUSING 2POS.	PBT-GF30	grau/GREY	1b
		1-1703498-3	A	Stiftgehaeuse 2pol. MALE HOUSING 2POS.	1	Kontaktsicherung RETAINER	PA66-GF35	violett/VIOLET	2
		1-1703498-3	A	Stiftgehaeuse 2pol. MALE HOUSING 2POS.	1	Stiftgehaeuse 2pol. MALE HOUSING 2POS.	PBT-GF30	schwarz/BLACK	1a

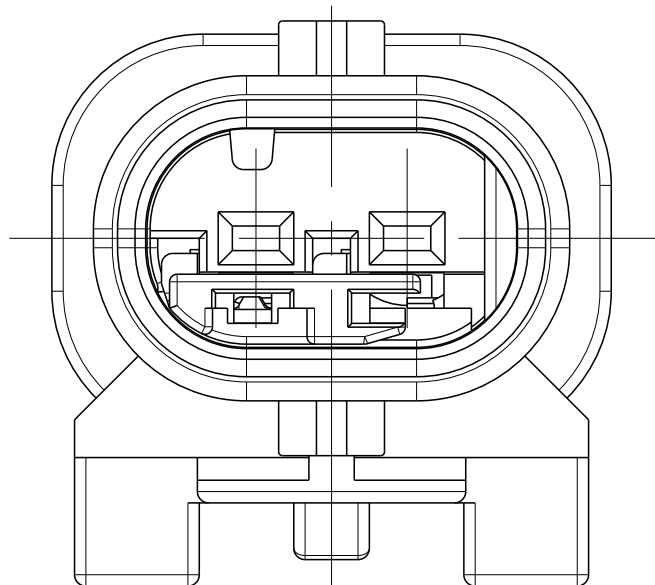
TE SUITABLE FEMALE HSG. PASSENDE BUCHSENGEH.	ASSY REV.	TE Bestell-Nr. ORDER-NO.	CODE	Benennung TITLE	QTY	Benennung Einzelteil TITLE	Werkstoff MATERIAL	Oberflaeche/Farbe SURFACE/CLOUR	Pos. ITEM
		1-1703498-5	A	Stiftgehaeuse 2pol. MALE HOUSING 2POS.	1	Kontaktsicherung RETAINER	PA66-GF35	violett/VIOLET	2
		1-1703498-5	A	Stiftgehaeuse 2pol. MALE HOUSING 2POS.	1	Stiftgehaeuse 2pol. MALE HOUSING 2POS.	PBT-GF30	schwarz/BLACK	1a
		1-1703498-2	Z	Stiftgehaeuse 2pol. MALE HOUSING 2POS.	1	Kontaktsicherung RETAINER	PA66-GF35	violett/VIOLET	2
		1-1703498-2	Z	Stiftgehaeuse 2pol. MALE HOUSING 2POS.	1	Stiftgehaeuse 2pol. MALE HOUSING 2POS.	PBT-GF30	schwarz/BLACK	1z
		1-1703498-2	C	Stiftgehaeuse 2pol. MALE HOUSING 2POS.	1	Kontaktsicherung RETAINER	PA66-GF35	violett/VIOLET	2
		1-1703498-2	C	Stiftgehaeuse 2pol. MALE HOUSING 2POS.	1	Stiftgehaeuse 2pol. MALE HOUSING 2POS.	PBT-GF30	schwarz/BLACK	1c
		2-1703498-2	B	Stiftgehaeuse 2pol. MALE HOUSING 2POS.	1	Kontaktsicherung RETAINER	PA66-GF35	violett/VIOLET	2
		2-1703498-2	B	Stiftgehaeuse 2pol. MALE HOUSING 2POS.	1	Stiftgehaeuse 2pol. MALE HOUSING 2POS.	PBT-GF30	grau/GREY	1b
		1-1703498-2	A	Stiftgehaeuse 2pol. MALE HOUSING 2POS.	1	Kontaktsicherung RETAINER	PA66-GF35	violett/VIOLET	2
		1-1703498-2	A	Stiftgehaeuse 2pol. MALE HOUSING 2POS.	1	Stiftgehaeuse 2pol. MALE HOUSING 2POS.	PBT-GF30	schwarz/BLACK	1a

TE SUITABLE FEMALE HSG. PASSENDE BUCHSENGEH.	ASSY REV.	TE Bestell-Nr. ORDER-NO.	CODE	Benennung TITLE	QTY	Benennung Einzelteil TITLE	Werkstoff MATERIAL	Oberflaeche/Farbe SURFACE/CLOUR	Pos. ITEM
		1-1703498-1	Z	Stiftgehaeuse 2pol. MALE HOUSING 2POS.	1	Kontaktsicherung RETAINER	PA66-GF35	violett/VIOLET	2
		1-1703498-1	Z	Stiftgehaeuse 2pol. MALE HOUSING 2POS.	1	Stiftgehaeuse 2pol. MALE HOUSING 2POS.	PBT-GF30	schwarz/BLACK	1z
		1-1703498-1	C	Stiftgehaeuse 2pol. MALE HOUSING 2POS.	1	Kontaktsicherung RETAINER	PA66-GF35	violett/VIOLET	2
		1-1703498-1	C	Stiftgehaeuse 2pol. MALE HOUSING 2POS.	1	Stiftgehaeuse 2pol. MALE HOUSING 2POS.	PBT-GF30	schwarz/BLACK	1c
		2-1703498-1	B	Stiftgehaeuse 2pol. MALE HOUSING 2POS.	1	Kontaktsicherung RETAINER	PA66-GF35	violett/VIOLET	2
		2-1703498-1	B	Stiftgehaeuse 2pol. MALE HOUSING 2POS.	1	Stiftgehaeuse 2pol. MALE HOUSING 2POS.	PBT-GF30	grau/GREY	1b
		1-1703498-1	A	Stiftgehaeuse 2pol. MALE HOUSING 2POS.	1	Kontaktsicherung RETAINER	PA66-GF35	violett/VIOLET	2
		1-1703498-1	A	Stiftgehaeuse 2pol. MALE HOUSING 2POS.	1	Stiftgehaeuse 2pol. MALE HOUSING 2POS.	PBT-GF30	schwarz/BLACK	1a

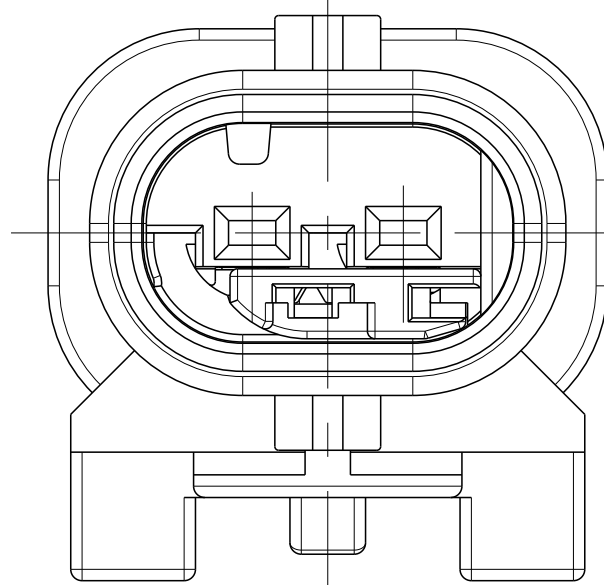
TE-PN TERMINALS	WIRE RANGE	TE-PN SINGLE WIRE SEAL	TE-PN BLIND PLUG
214868	0.08 - 0.22mm <sup>2</sup>	967067-2	967056-1
1718758	0.25 - 0.35mm <sup>2</sup>	967067-2	
1718760	0.5 - 0.75mm <sup>2</sup>	967067-1	
1718762	1mm <sup>2</sup>	967067-1	

TERMINAL TE-APPLICATION SPEC.: 114-18464

RETAINER IN PRE LOCKED POSITION  
2. Kontaktsicherung in Vorraststellung



RETAINER IN FINAL LOCKED POSITION  
2. Kontaktsicherung in Endraststellung



RETAINER MOVING DIRECTION  
2. Kontaktsicherung Verschiebeweg

REGRIND MAX. 25%

THIS DRAWING IS A CONTROLLED DOCUMENT.		DATE: 19JUN2007	BY: A LOECSER	CHK: H. RIBBER
DIMENSIONS: MILLIMETERS / DECIMAL INCHES		SCALE: 1:1	REV: 6	DATE: 19JUN2007
MATERIAL: -		FINISH: -	WEIGHT: 4.48g	CUSTOMER DRAWING
PRODUCT SPEC: 108-94.177		APPLICATION SPEC: 114-18910-1	SIZE: 4.0	RESTRICTION: -
MALE HOUSING, 2POS., MCON 1.2mm LL SEALED ASSY		SCALE: 5:1	SHEET: 1 of 1	REV: C6

# Mouser Electronics

Authorized Distributor

Click to View Pricing, Inventory, Delivery & Lifecycle Information:

[TE Connectivity:](#)

[1-1703498-2](#)