

DC Fan Motors

# Scirocco Ace 120

[ 4.73 inch dia ]



Blower Fans

### General specifications

- Motor protection system ···· Current cut system (with reverse-connection protection)
- Dielectric strength ······ 50/60 Hz, 500 VAC, 1 minute  
(between lead conductor and frame)
- Operating thermally range ···· -10°C to +60°C (non-condensing)
- Fan power lead ········ H speed, ⊕ red, ⊖ black  
M speed, ⊕ red, ⊖ blue

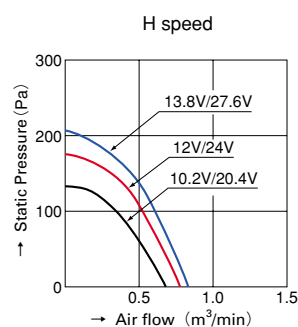
### Specifications

Model No	Rated voltage (V)	Operating voltage range (V)	Rated current (A)	Rated input (W)	Rated rotating speed (min <sup>-1</sup> )	Air flow (m <sup>3</sup> /min) (CFM)	Static pressure (Pa)	Noise (dB[A])	Mass (g)
<b>109BF12HA2(HC2)[HD2]</b>	12	10.2~13.8	0.6	7.2	2,400	0.78	27.5	175.4	52
<b>109BF12MA2(MC2)[MD2]</b>			0.32	3.84	1,900	0.61	21.5	109.8	44
<b>109BF24HA2(HC2)[HD2]</b>	24	20.4~27.6	0.3	7.2	2,400	0.78	27.5	175.4	52
<b>109BF24MA2(MC2)[MD2]</b>			0.16	3.84	1,900	0.61	21.5	109.8	44

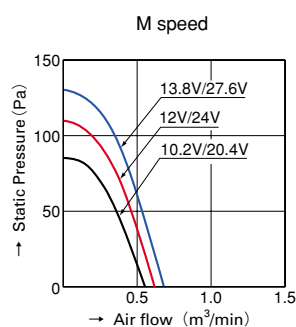
Model numbers in ( ) represent models with pulse sensor.

[ ] denotes lock sensor attachment.

### Typical air flow and static pressure characteristics

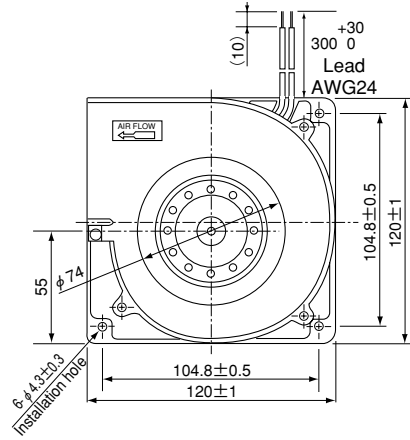
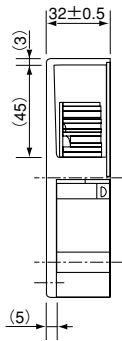
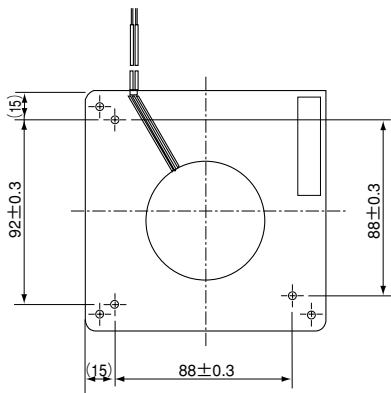


**109BF12HA2**  
**109BF24HA2**



**109BF12MA2**  
**109BF24MA2**

**Dimensions (unit : mm)**



Bloor Fans

120mm

**SANYO DENKI**

1-15-1, Kita-otsuka, Toshima-ku, Tokyo 170-8451, Japan. PHONE : +81 3 3917 5151  
Home Page: <http://www.sanyodenki.co.jp>

# Mouser Electronics

Authorized Distributor

Click to View Pricing, Inventory, Delivery & Lifecycle Information:

[Sanyo Denki:](#)

[109BF12HA2](#) [109BF12MD2](#) [109BF24HA2](#) [109BF24HD2](#) [109BF24MA2](#) [109BF24MD2](#)