

Counter Module

GT1-CT01

A Counter Module Enabling Encoder Input

- High-speed pulse with counting speed of 50 kHz.
- Counting can be set to a multiplication factor of 1 or 4.
- Wide range of measurement: -8,388,608 to +8,388,607.
- One external input and two external outputs are available.
- Dimensions: 110x60x65 (WxHxD).
- DIN track mounting.



Ordering Information

I/O classification	External I/O points	Terminal	Operating mode	Model
Counter Module	Inputs: 1 Outputs: 2	Terminal block	Linear counter	GT1-CT01

Note: A communications cable, GCN1-004, is included with each module.

Specifications

■ Output

Output current	0.5 A per point max.
Residual voltage	1.2 V max. (0.5 VDC, between each output terminal and ground)
Leakage current	0.1 mA max. (24 VDC, between each output terminal and G)
ON delay time	0.5 ms max.
OFF delay time	1.5 ms max.
Number of circuits	2

■ Ratings

Current consumption	90 mA max.
Connection distance	Total length: 3 m Maximum length between Units: 1 m
I/O power supply voltage	20.4 to 26.5 VDC (24 VDC -15%/+10%)
Ambient temperature	-10°C to 55°C
Ambient humidity	Operating: 25% to 85% (with no condensation)
Weight	Approx. 250 g
Dimensions	110 60 65 (W H D)

■ Characteristics

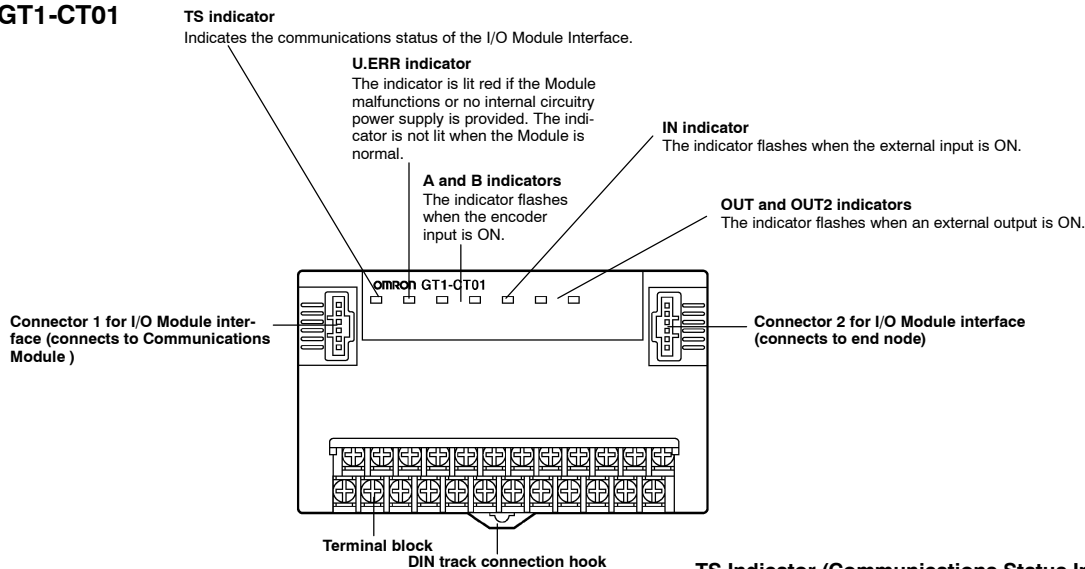
Number of counters		1
Operating mode		Linear counter
Count input	Input signal	Encoder input (A, B, Z)
	Signal level	24 VDC
	Input type	Differential phase pulse input Pulse and direction input
	Maximum counting speed	50 kHz (kcps)
	Counting range	-8,388,608 to +8,388,607
Other		Differential phase pulse input can be set to a multiplication factor of 1 or 4.
External input	Input signal	External input (IN)
	Signal level	24 VDC
External output	Output	2 external outputs (OUT1 and OUT2)
	Maximum switching capacity	24 VDC 0.5 A
Occupied words	IN	3 words
	OUT	3 words

■ Encoders

Output type	Open-collector output
Power supply voltage	24 VDC
Models	E6B2-CWZ6C E6H-CWZ6C

Nomenclature

GT1-CT01

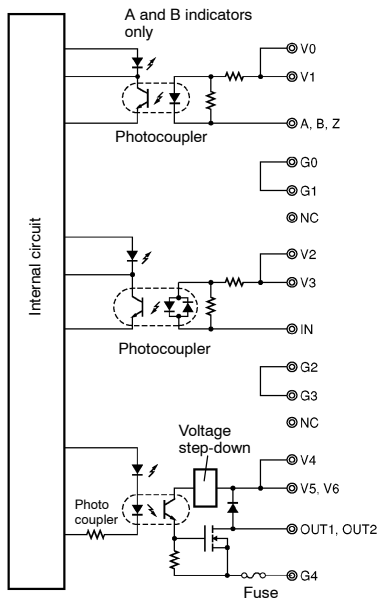


TS Indicator (Communications Status Indicator of I/O Module Interface)

Green indicator lit	The Module is normal.
Red indicator lit	The I/O Module interface has an error.
Not lit	No power is supplied to the Module or the Module is being initialized.

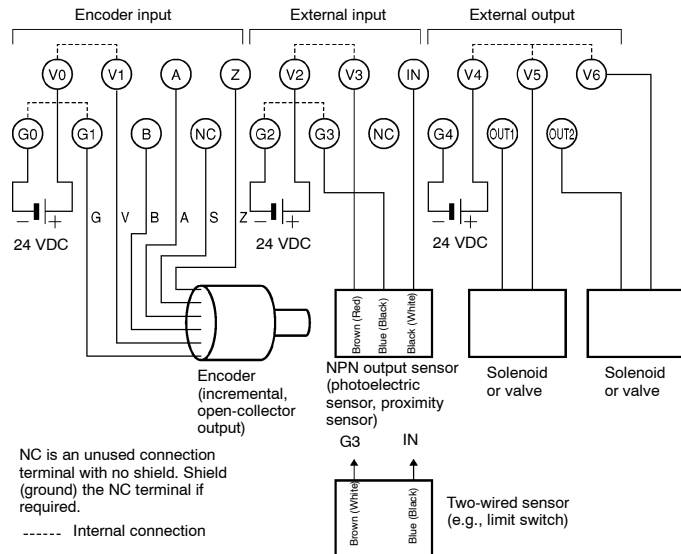
Operation

Internal Circuit Configuration



Wiring

Be sure to connect Molex connectors for analog output wires and connect the wires as shown below.

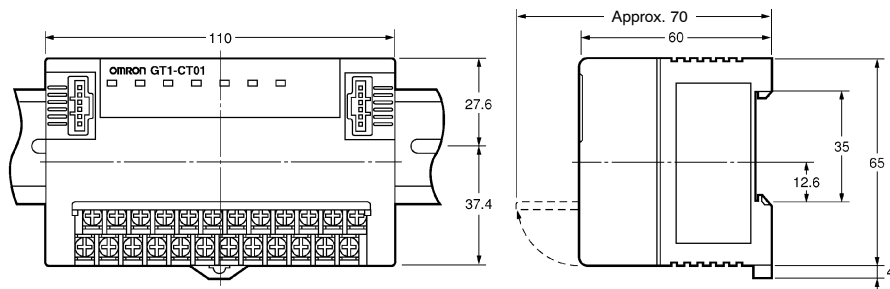
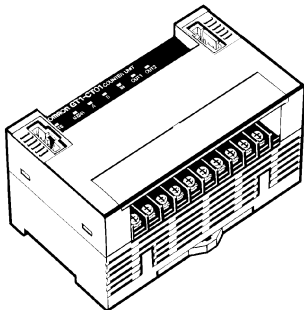


NC is an unused connection terminal with no shield. Shield (ground) the NC terminal if required.
----- Internal connection

Dimensions

Note: All units are in millimeters unless otherwise indicated.

GT1-CT01



NOTE: DIMENSIONS SHOWN ARE IN MILLIMETERS. To convert millimeters to inches divide by 25.4.

OMRON®

OMRON ELECTRONICS, INC.

One East Commerce Drive
Schaumburg, IL 60173

1-800-55-OMRON

OMRON CANADA, INC.

885 Milner Avenue
Scarborough, Ontario M1B 5V8

416-286-6465

Mouser Electronics

Authorized Distributor

Click to View Pricing, Inventory, Delivery & Lifecycle Information:

[Omron:](#)

[GT1-CT01](#)