



Electrical Specifications

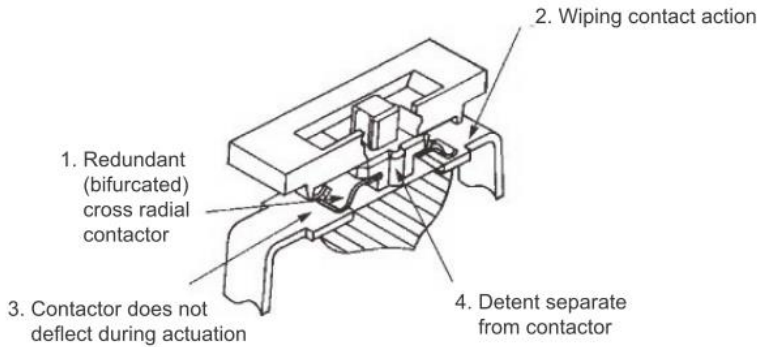
Parameter	Conditions & Remarks	Min	Max	Unit
Contact Resistance (209)	Initial		25	milliohms
	At end of life		50	
Contact Resistance (210)	Initial		100	milliohms
	At end of life		500	
Insulation Resistance	Between insulated terminals	1000		megohms
Dielectric Strength	500 VAC between adjacent switches		1	minute
Switch Capacitance	Between adjacent closed switches		5.0	pF
Non-switching Rating			100	mA
			or	or
			50	VDC
Circuit	SPST	2	12	positions

Mechanical and Environmental

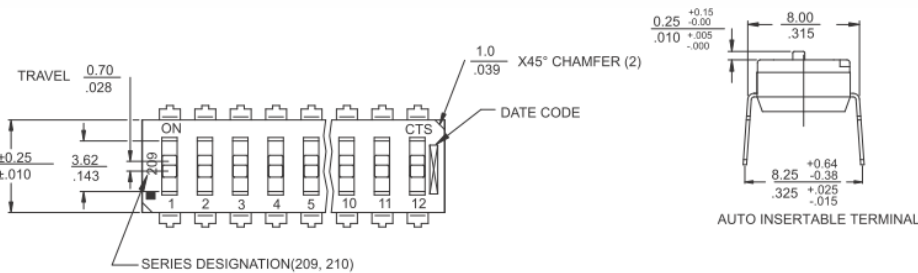
Actuation Life (209)	2,000 cycles switching 100mA @ 20 VDC or .1mA @ 5 VDC(dry circuit)
Actuation Life (210B)	1,000 cycles switching 100mA @ 20 VDC or .1mA @ 5 VDC(dry circuit)
Soldering	Maximum wave temperature, 260°C for 5 seconds
MSL	Level 1
RoHS	Lead-Free. Fully compliant to RoHS Directive 2011/65/EU
Shock	Per MIL-STD-202F, method 213B, condition A (50G's) with no contact inconsistencies greater than 1 microsecond
Vibration	Per MIL-STD-202F, method 204D, condition B (.06" or 15G's between 10 HZ to 2K HZ) with no contact inconsistencies greater than 1 microsecond
Seal	Bottom seal standard, optional top tape seal for board spray washing
Marking	Special top marking available-consult CTS
Packaging:	Standard anti-static tube packaging
Storage Temperature Range	-40°C to +85°C
Operating Temperature Range	-40°C to +85°C

Mechanical Specifications

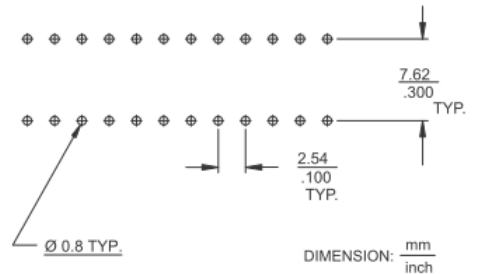
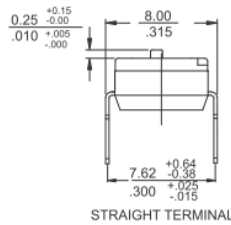
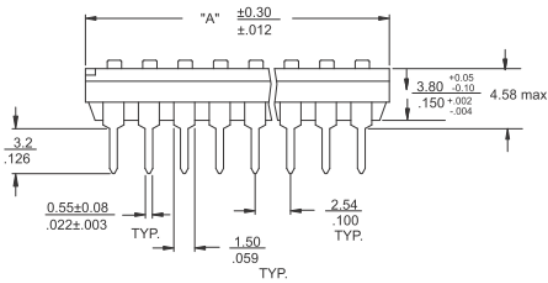
Series 209 / 210 Contact Features



1. **Value of Redundant (Bifurcated) Contacts:** Redundancy dramatically reduces the probability of contact failure, IMPROVING RELIABILITY.
2. **Value of Wiping Contact Action:** Clean contact area, IMPROVING RELIABILITY.
3. **Value of Contactor Not Deflecting During Actuation :** Constant contact pressure eliminates overstressing contacts, IMPROVING RELIABILITY.
4. **Value of Detent Separate from Contactor:** Separate detent allows optimization of nondeflecting contactor and detent designs, IMPROVING RELIABILITY.



"A" OVERALL DIMENSION	NO. OF SWITCH POSITIONS
6.55/.258	2
9.09/.358	3
11.63/.458	4
14.17/.558	5
16.71/.658	6
19.25/.758	7
21.79/.858	8
24.33/.958	9
26.87/1.058	10
31.95/1.258	12



Mouser Electronics

Authorized Distributor

Click to View Pricing, Inventory, Delivery & Lifecycle Information:

CTS:

[209-2LPS](#) [209-2MST](#) [209-3LPS](#) [209-3MST](#) [209-4LPS](#) [209-4MST](#) [209-5LPS](#) [209-6LPS](#) [209-6MST](#) [209-7LPS](#)
[209-7MST](#) [209-8LPS](#) [209-8MST](#) [209-9LPS](#) [209-9MST](#) [209-10LPS](#) [209-10MST](#) [209-12LPS](#) [209-12MST](#) [210-](#)
[2LPST](#) [210-2MST](#) [210-2MS](#) [210-3LPST](#) [210-3MST](#) [210-3MS](#) [210-4LPST](#) [210-4MST](#) [210-4MS](#) [210-5LPST](#) [210-](#)
[5MST](#) [210-5MS](#) [210-6LPST](#) [210-6MST](#) [210-6MS](#) [210-7LPST](#) [210-7MST](#) [210-7MS](#) [210-8LPST](#) [210-8MST](#) [210-](#)
[8MS](#) [210-9LPST](#) [210-9MST](#) [210-9MS](#) [210-10LPST](#) [210-10MST](#) [210-10MS](#) [210-12LPST](#) [210-12MST](#) [210-12MS](#)
[209-2LPST](#) [209-2MS](#) [209-3MS](#) [209-4LPST](#) [209-4MS](#) [209-5LPST](#) [209-6LPST](#) [209-8LPST](#) [209-9MS](#) [209-9LPST](#)
[209-10MS](#) [209-3LPST](#) [209-7LPST](#) [209-7MS](#) [209-8MS](#) [209-12MS](#) [209-12LPST](#) [209-5MS](#) [209-10LPST](#) [209-6MS](#)
[209-5MST](#) [210-3LPS](#) [210-4ES](#) [210-4LPS](#) [210-4MSD](#) [210-4MSF](#) [210-6ESFD](#) [209-2MSF](#) [209-6ES](#) [209-2ES](#)