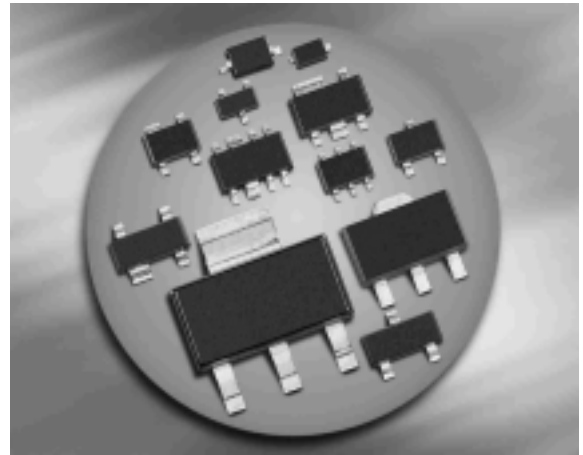
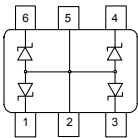
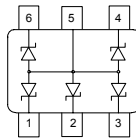


**Multi-Channel TVS Diode Array**

- ESD / transient protection of data and power lines in 3.3 V / 5 V application according to:  
IEC61000-4-2 (ESD):  $\pm 25$  kV (contact)  
IEC61000-4-4 (EFT): 40 A (5/50 ns)  
IEC61000-4-5 (Lighting): 6 A (8/20  $\mu$ s)
- Max. working voltage: 5 V (5.3 V max.)
- Low clamping voltage
- Low reverse current  $< 5 \mu$ A


**Applications**

- Mobile communication
- Consumer products (STB, MP3, DVD, DSC...)
- LCD displays, camera
- Notebooks and desktop computers, peripherals

**ESD5V0S4US**

**ESD5V0S5US**


Type	Package	Configuration	Marking
ESD5V0S4US*	SOT363	4 channel, uni-directional	E4s
ESD5V0S5US*	SOT363	5 channel, uni-directional	E5s

\* Preliminary data

**Maximum Ratings at  $T_A = 25^\circ\text{C}$ , unless otherwise specified**

Parameter	Symbol	Value	Unit
ESD contact discharge <sup>1)</sup>	$V_{\text{ESD}}$	25	kV
Peak pulse current ( $t_p = 8 / 20 \mu\text{s}$ ) <sup>2)</sup>	$I_{\text{pp}}$	6	A
Peak pulse power ( $t_p = 8 / 20 \mu\text{s}$ )	$P_{\text{pk}}$	75	W
Operating temperature range	$T_{\text{op}}$	-55...125	°C
Storage temperature	$T_{\text{stg}}$	-65...150	

<sup>1)</sup> $V_{\text{ESD}}$  according to IEC61000-4-2

<sup>2)</sup> $I_{\text{pp}}$  according to IEC61000-4-5

**Thermal Resistance**

Parameter	Symbol	Value	Unit
Junction - soldering point <sup>1)</sup>	$R_{thJS}$	≤ tbd	W/K

**Electrical Characteristics at  $T_A = 25^\circ\text{C}$ , unless otherwise specified**

Parameter	Symbol	Values			Unit
		min.	typ.	max.	
<b>Characteristics</b>					
Reverse working voltage	$V_{RWM}$	-	5	5.3	V
Breakdown voltage $I_{(BR)} = 1 \text{ mA}$	$V_{(BR)}$	5.7	6.7	7.7	
Reverse current $V_R = 5 \text{ V}$	$I_R$	-	-	5	$\mu\text{A}$
Clamping voltage $V_{ESD} = 15 \text{ kV (contact)}^2)$ $I_{PP} = 3 \text{ A, } t_p = 8/20 \mu\text{s}^3)$ $I_{PP} = 6 \text{ A, } t_p = 8/20 \mu\text{s}^3)$	$V_{CL}$	-	tbd 8 9.3	-	V
Diode capacitance $V_R = 0 \text{ V, } f = 1 \text{ MHz}$	$C_T$	-	70	90	pF

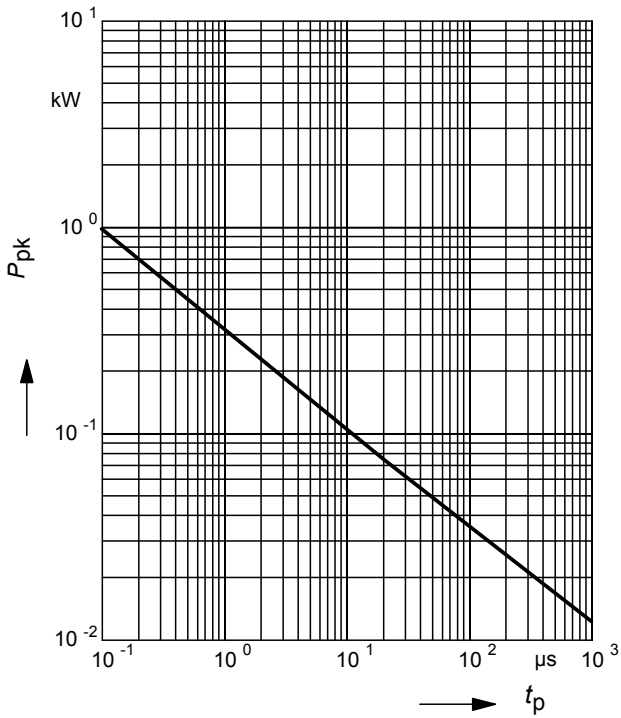
<sup>1</sup>For calculation of  $R_{thJA}$  please refer to Application Note Thermal Resistance

<sup>2</sup> $V_{ESD}$  according to IEC61000-4-2

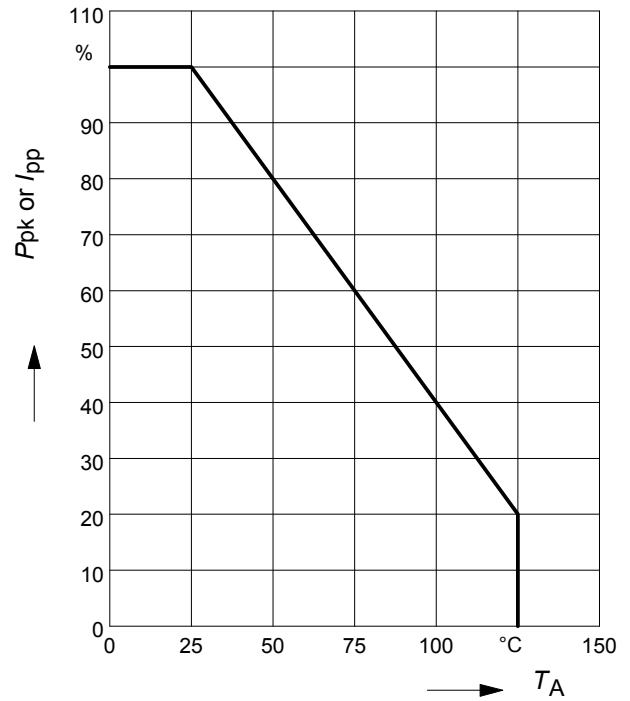
<sup>3</sup> $I_{pp}$  according to IEC61000-4-5

**Non-repetitive peak pulse power**

$P_{pk} = f(t_p)$

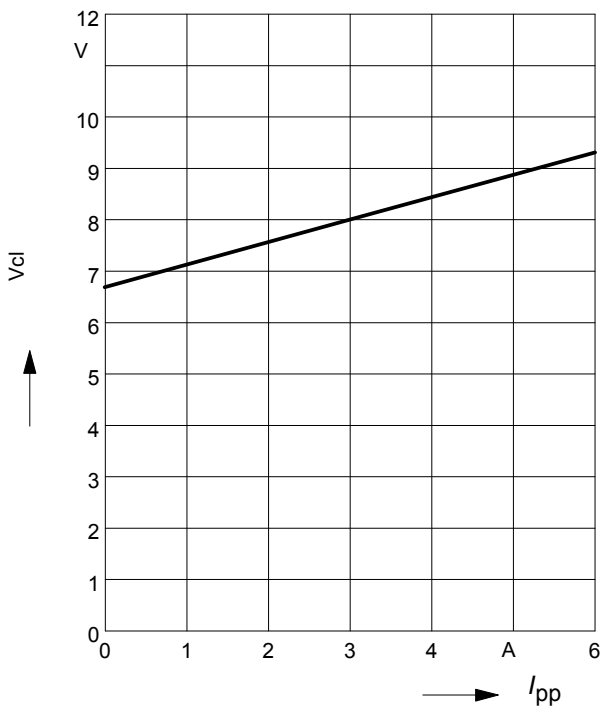


**Power derating curve  $P_{pk} = f(T_A)$**



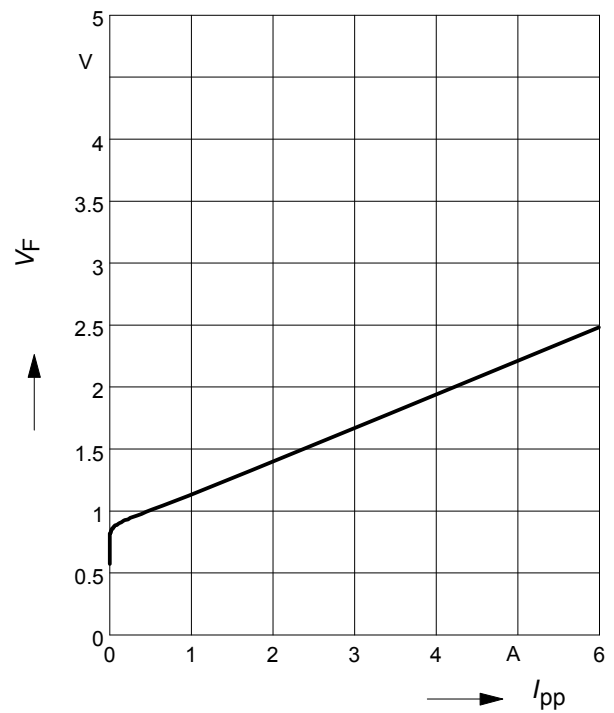
**Clamping voltage,  $V_{cl} = f(I_{pp})$**

$t_p = 8 / 20 \mu s$



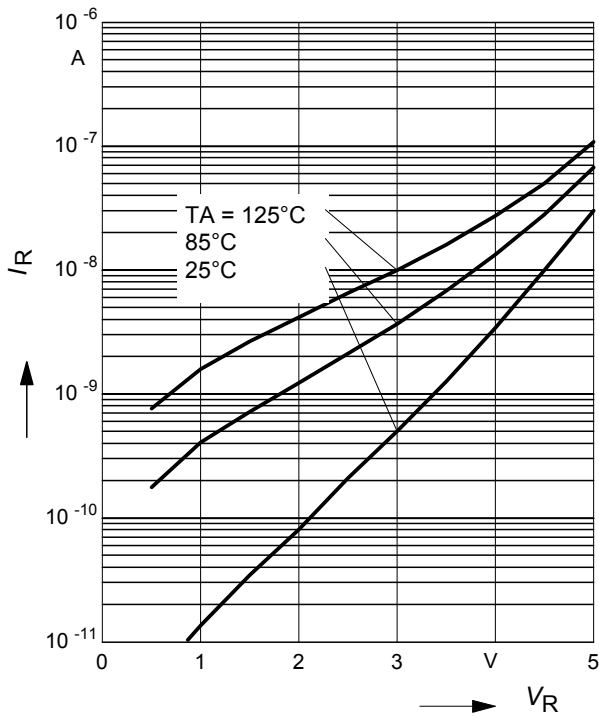
**Forward voltage  $V_F = f(I_{pp})$**

$t_p = 8 / 20 \mu s$



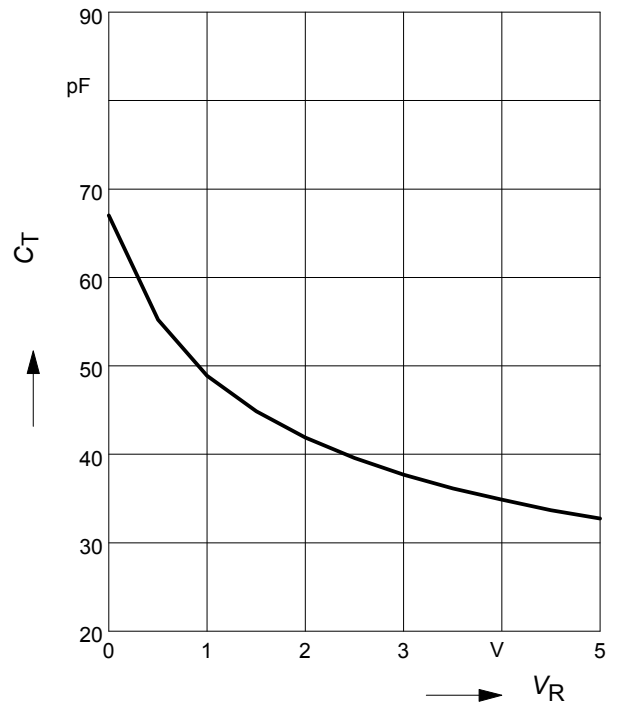
Reverse current  $I_R = f(V_R)$

$T_A =$  Parameter



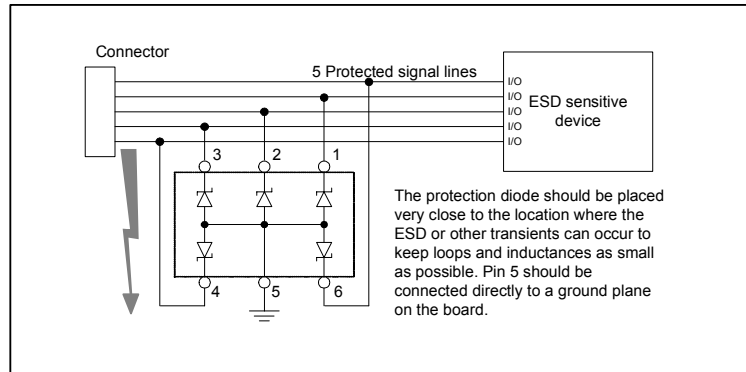
Diode capacitance  $C_T = f(V_R)$

$f = 1\text{MHz}$



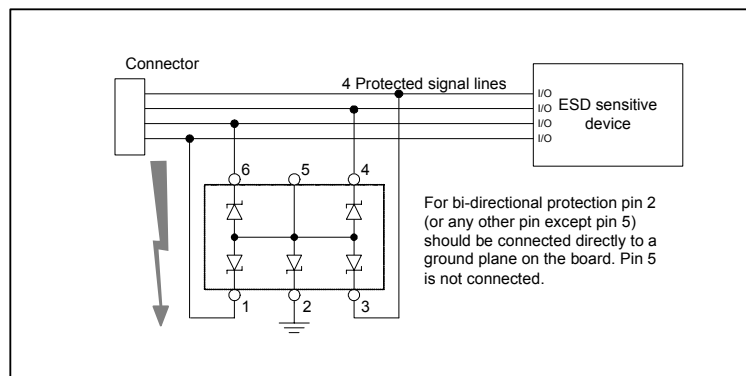
**Application example ESD5V0S5US**

5 channels, uni-directional



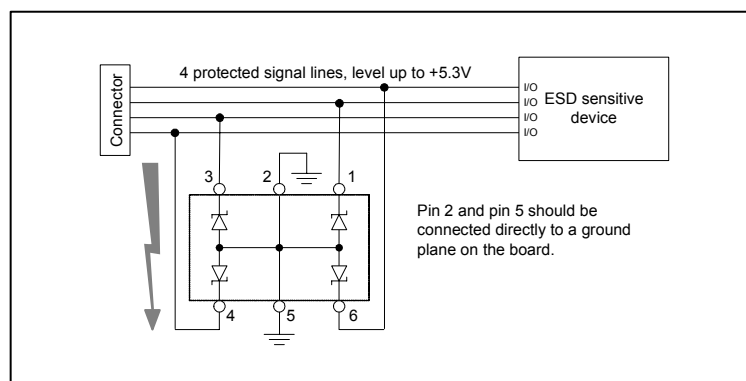
**Application example ESD5V0S5US**

4 channels, bi-directional

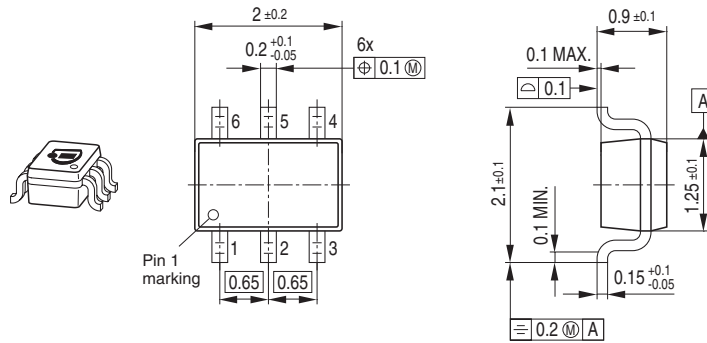


**Application example ESD5V0S4US**

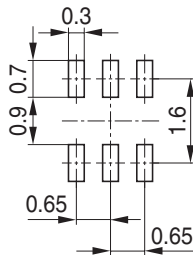
4 channels, uni-directional



Package Outline

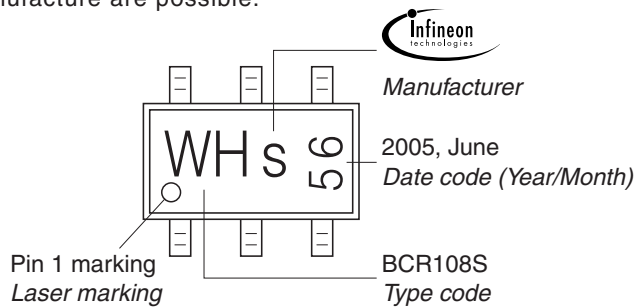


Foot Print



Marking Layout (Example)

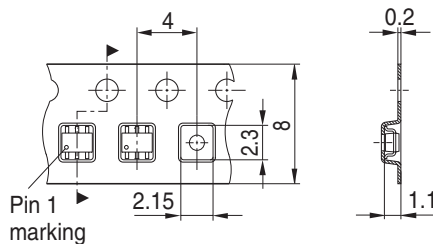
Small variations in positioning of Date code, Type code and Manufacture are possible.



Standard Packing

Reel  $\varnothing$ 180 mm = 3.000 Pieces/Reel  
 Reel  $\varnothing$ 330 mm = 10.000 Pieces/Reel

For symmetric types no defined Pin 1 orientation in reel.



Edition 2006-02-01

Published by

Infineon Technologies AG

81726 München, Germany

© Infineon Technologies AG 2006.

All Rights Reserved.

### **Attention please!**

The information given in this dokument shall in no event be regarded as a guarantee of conditions or characteristics ("Beschaffenheitsgarantie"). With respect to any examples or hints given herein, any typical values stated herein and/or any information regarding the application of the device, Infineon Technologies hereby disclaims any and all warranties and liabilities of any kind, including without limitation warranties of non-infringement of intellectual property rights of any third party.

### **Information**

For further information on technology, delivery terms and conditions and prices please contact your nearest Infineon Technologies Office ([www.infineon.com](http://www.infineon.com)).

### **Warnings**

Due to technical requirements components may contain dangerous substances. For information on the types in question please contact your nearest Infineon Technologies Office.

Infineon Technologies Components may only be used in life-support devices or systems with the express written approval of Infineon Technologies, if a failure of such components can reasonably be expected to cause the failure of that life-support device or system, or to affect the safety or effectiveness of that device or system.

Life support devices or systems are intended to be implanted in the human body, or to support and/or maintain and sustain and/or protect human life. If they fail, it is reasonable to assume that the health of the user or other persons may be endangered.