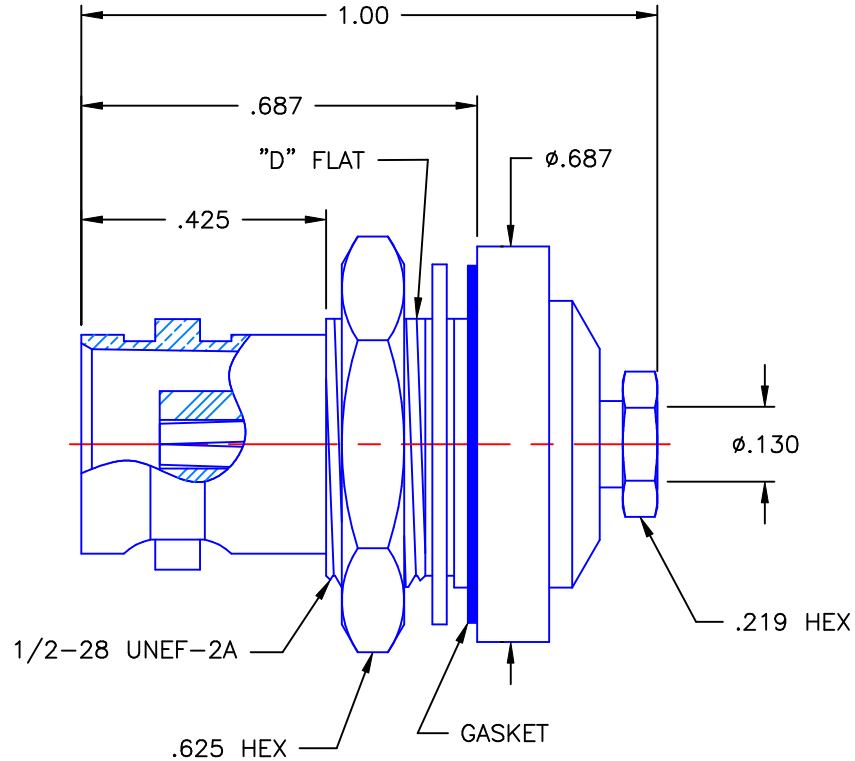


REVISIONS			
REV	DESCRIPTION	DATE	APPROVED
A	INITIAL RELEASE	05/21/10	D.N.




NOTES:

MATERIALS:

1. CONTACT = BERYLLIUM COPPER PER ASTM B196, ALLOY C17300, TEMPER TD04.
2. LOCKWASHER = PHOSPHOR BRONZE PER ASTM B139, COPPER ALLOY C53400, TEMPER H04.
3. ALL OTHER METAL PARTS = BRASS PER ASTM B16, ALLOY C36000, TEMPER H02
4. GASKET = SILICONE RUBBER PER ZZ-R-765, CLASS 2B, GRADE 65-75
5. INSULATOR = VIRGIN WHITE TEFLON PER ASTM D1710, GRADE 1, TYPE I, CLASS "B"

FINISHES:

1. CONTACT & ADAPTER = GOLD PLATE PER MIL-G-45204, TYPE II, CLASS 1, GRADE C, OVER .00010 TO .00020 STRESS FREE SULFAMATE NICKEL PER QQ-N-290.
2. ALL OTHER METAL PARTS = NICKEL PLATE PER QQ-N-290, CLASS 1, GRADE G, EXCEPT .0001 TO .0002 THICK OVER .00005 TO .0001 THICK COPPER PER MIL-C-14550.

UNLESS OTHERWISE SPECIFIED DIMENSIONS ARE IN INCHES TOLERANCES ON	DWN:	DATE	 Property of Radiall This document cannot be reproduced or communicated to a third party without prior written permission of RADIALL.
	D.N.	05/21/10	
DECIMAL	ANGLE	CHKD:	BNC STRAIGHT JACK BULKHEAD REAR MOUNT CLAMP TYPE FOR RG-316DS & SIMILAR CABLES
		A.D.M.	
		APVD:	SIZE A FSCM NO. 19505 DWG NO. 6501-7051-019 REV A
		J.M.	SCALE 3:1 THIRD ANGLE PROJECTION SHEET 1 OF 1
REFERENCE:	MATERIALS & FINISHES:		
ORIGINATOR: D.N. DATE: 05/21/10	SEE NOTES		

6501-7051-019

# Mouser Electronics

Authorized Distributor

Click to View Pricing, Inventory, Delivery & Lifecycle Information:

Radial:

[6501-7051-019](#) [6502-7051-002](#) [6501-7051-003](#)