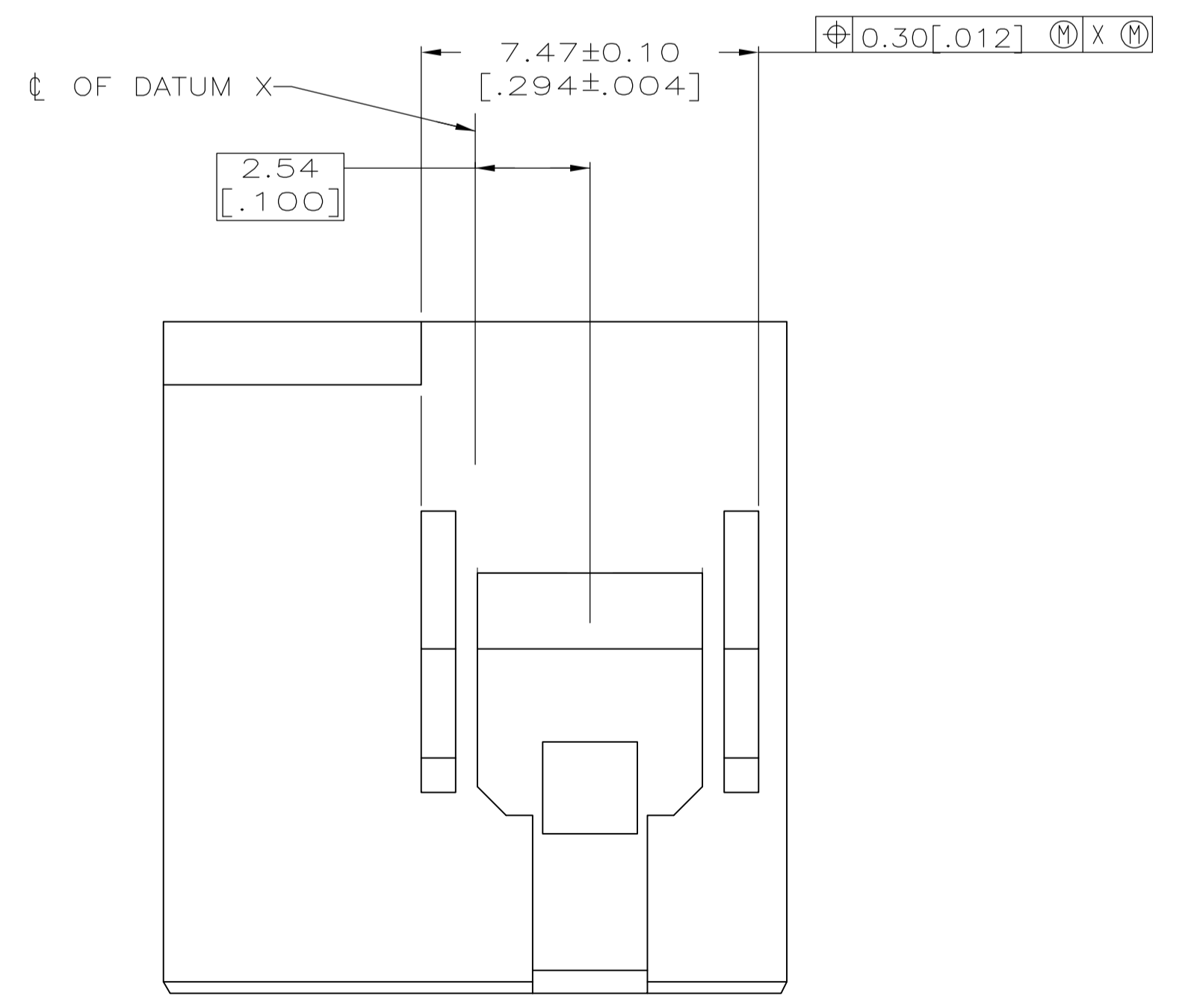
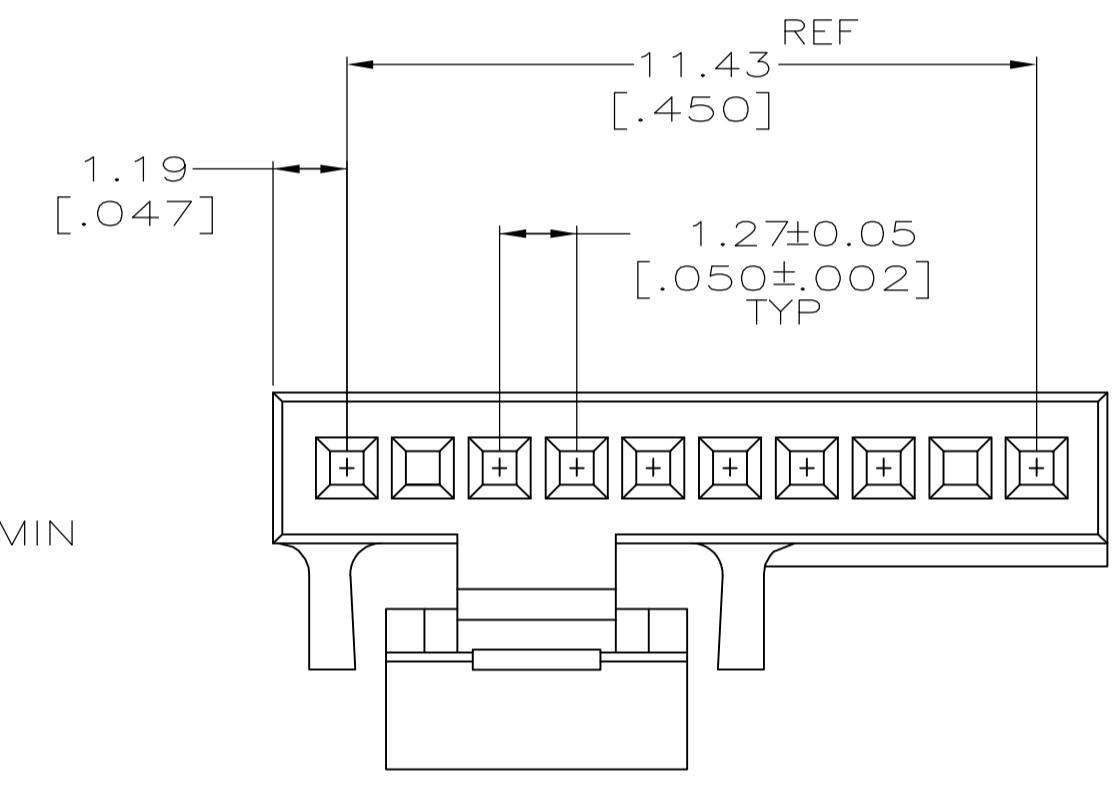
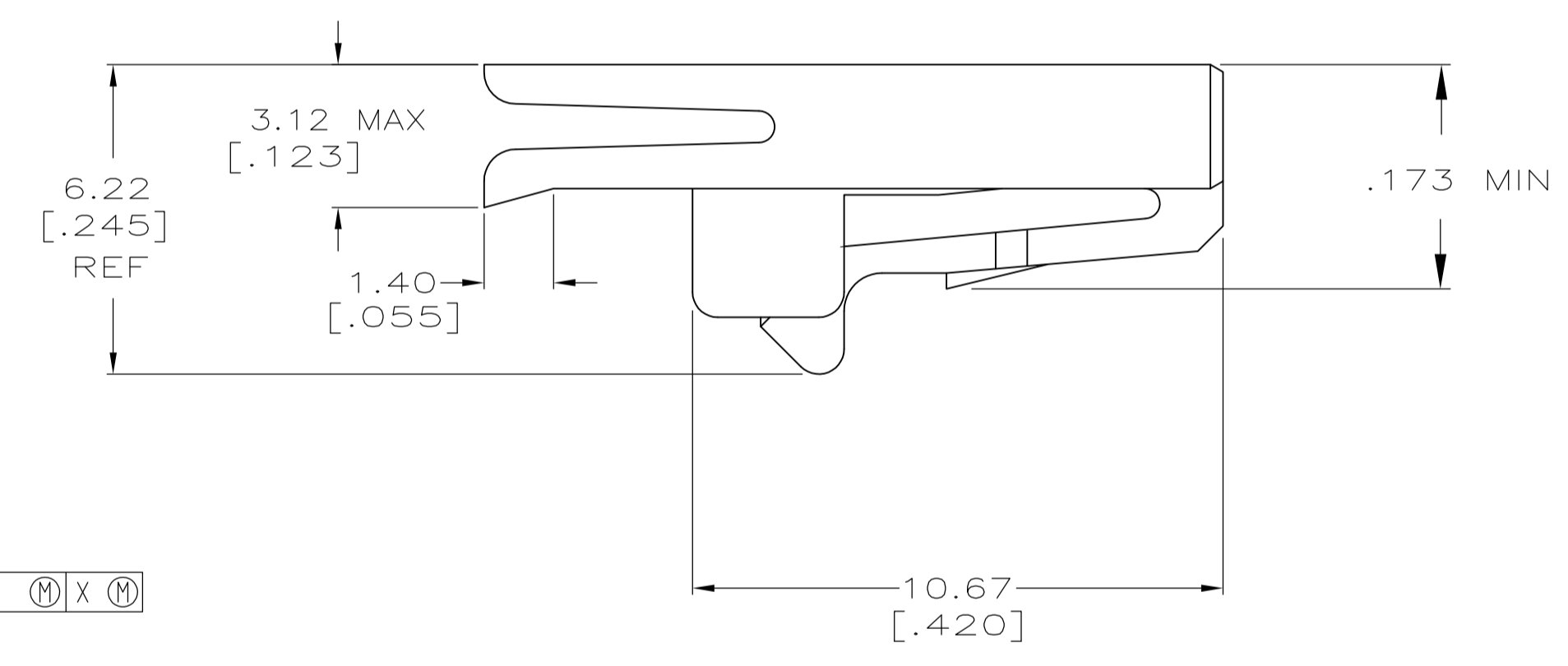
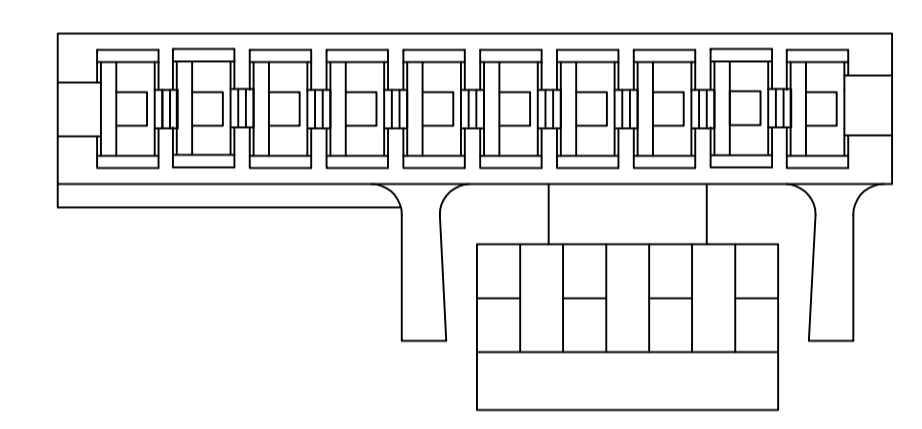


△1 WINDOWS MAY OR MAY NOT BE PRESENT ON THIS SIDE OF THE HOUSING.



10	487973-1
NO OF POSN	PART NUMBER

THIS DRAWING IS A CONTROLLED DOCUMENT.		DIN C. OBERMAN 05/25/93		TE Connectivity	
DIMENSIONS: mm [INCHES]		CHK R. STONE 5-25-93		NAME	
TOLERANCES UNLESS OTHERWISE SPECIFIED:		APVD		PRODUCT SPEC	
0. PLC ± -	1. PLC ± -	108-16022		HOUSING, RECEPTACLE, LATCH OFFSET, .050 C/L, FFC	
2. PLC ± 0.13 [.005]	3. PLC ± -	APPLICATION SPEC		SIZE CAGE CODE DRAWING NO	
4. PLC ± -	ANGLES ± -	114-16008		RESTRICTED TO	
MATERIAL POLYESTER, BLACK	FINISH -	WEIGHT -		A1 00779 C=487973	
CUSTOMER DRAWING				SCALE 8:1	SHEET 1 OF 1

# Mouser Electronics

Authorized Distributor

Click to View Pricing, Inventory, Delivery & Lifecycle Information:

[TE Connectivity:](#)

[487973-1](#)