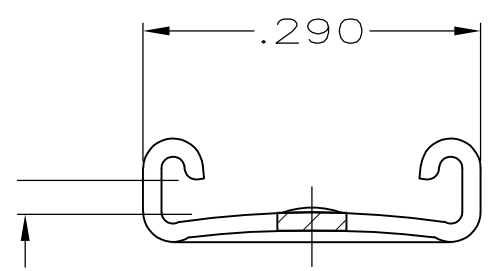
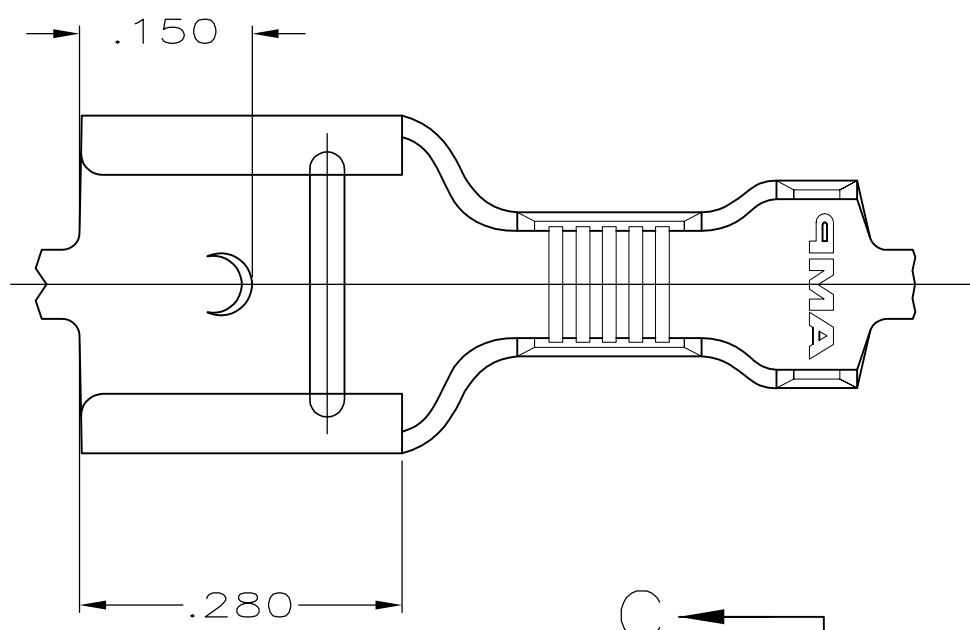
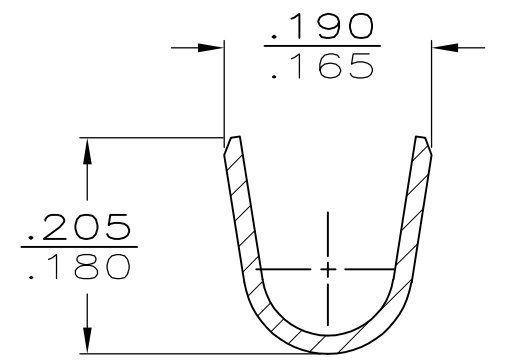
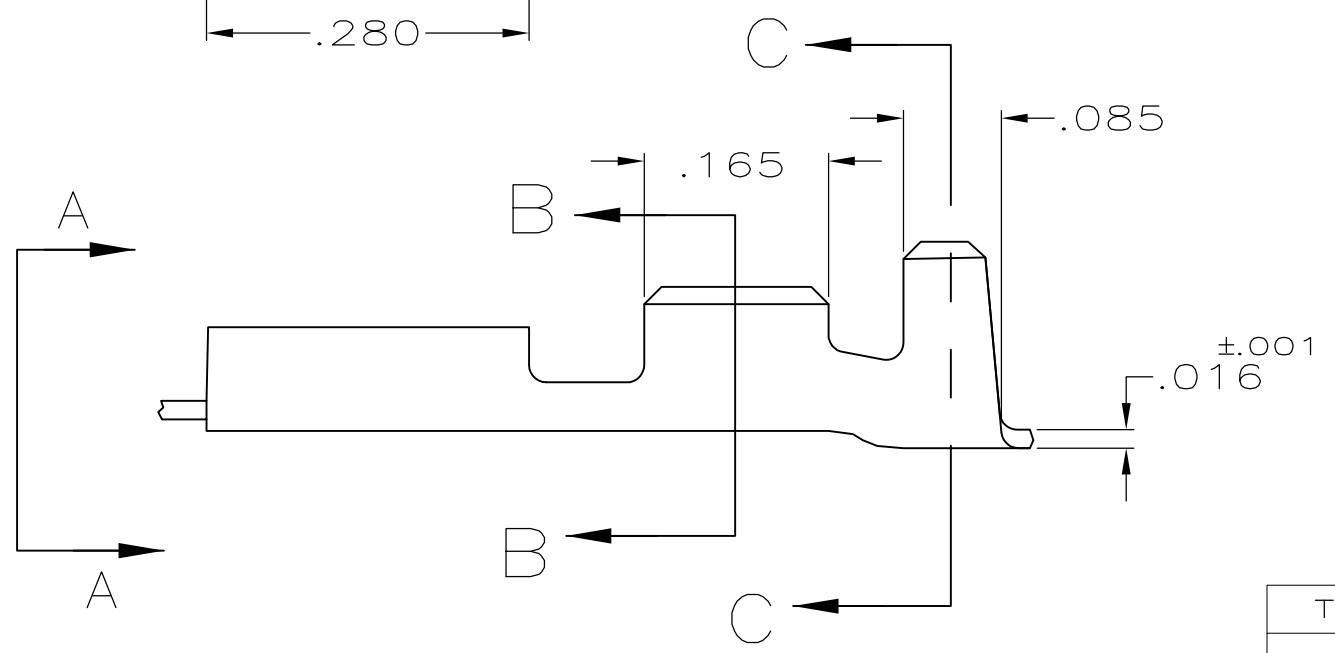


THIS DRAWING IS UNPUBLISHED. RELEASED FOR PUBLICATION  
 © COPYRIGHT - By TYCO ELECTRONICS CORPORATION ALL RIGHTS RESERVED.

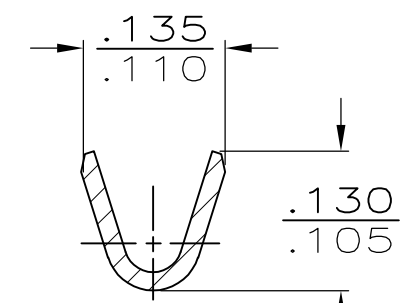
LOC	DIST	REVISIONS					
AF	50	P	LTR	DESCRIPTION	DATE	DWN	APVD
			D	REVISE PER ECR-13-013738	15FEB2014	GRZ	JL



FITS .250 SERIES FASTON TAB  
 VIEW A-A



SECTION C-C



SECTION B-B

TIN	.100-.140	1000-3000	23-20	20-16	.032	60384-2
-	.100-.140	1000-3000	23-20	20-16	.032	60384-1
FINISH	INSULATION RANGE	CMA	2 MAGNET	1 MAGNET	MATING TAB THK ±.001	PART NUMBER

THIS DRAWING IS A CONTROLLED DOCUMENT.		DWN	JR RUTH	5/18/90	<b>STE</b> TE Connectivity	
DIMENSIONS: INCHES		CHK	MS FEHER	5/18/90		
TOLERANCES UNLESS OTHERWISE SPECIFIED:		APVD	-	5/18/90		
0 PLC ± -		PRODUCT SPEC	-	5/18/90		
1 PLC ± -		APPLICATION SPEC	-	-	NAME	
2 PLC ± -		WEIGHT	-	-	RECEPTACLE, FASTON, AMPLIVAR, .250 SERIES	
3 PLC ± .015		CUSTOMER DRAWING			SIZE	A3
4 PLC ± -		SCALE			CAGE CODE	00779
ANGLES ± -		SHEET			DRAWING NO	C-60384
FINISH		RESTRICTED TO			REV	D
BRASS		SEE TABLE			SCALE	6:1
		SHEET			1 OF 1	

# Mouser Electronics

Authorized Distributor

Click to View Pricing, Inventory, Delivery & Lifecycle Information:

[TE Connectivity:](#)

[60384-1](#)