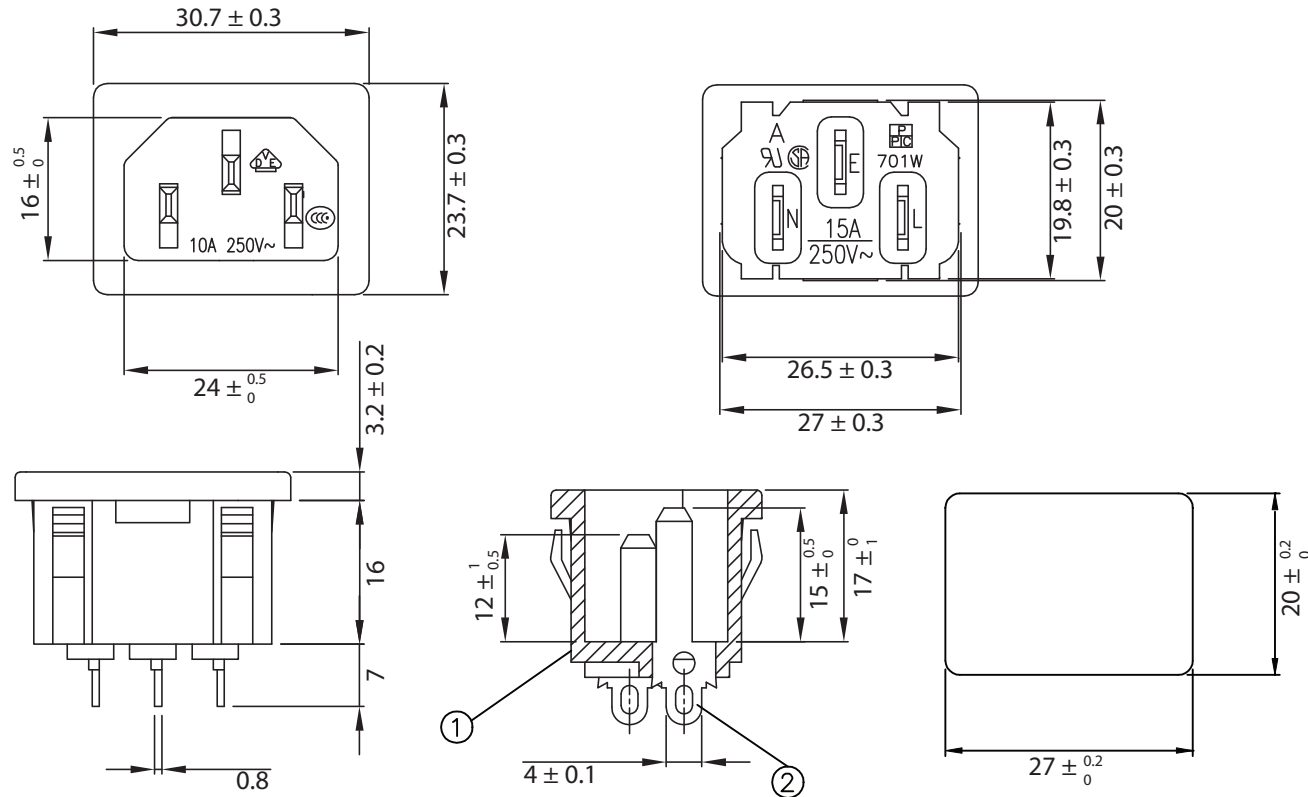


THESE DRAWINGS ARE THE PROPERTY OF QUALTEK ELECTRONICS AND NOT TO BE REPRODUCED FOR OR COMMUNICATED TO A THIRD PARTY WITHOUT THE EXPRESS WRITTEN PERMISSION OF AN OFFICER OF QUALTEK ELECTRONICS.

REVISION			
REV.	DESCRIPTION	DATE	APPROVED
B	RoHS Compliancy	06-01-06	DP
C	Updated Dimensions	06-30-08	DP
D	Updated Panel Thickness, Cutout, and Approvals	03-03-16	LY



NOTES:

RATING:

UL, CSA: 15A 250V AC  
 VDE, CCC: 10A 250V AC  
 INSULATION RESISTANCE: OVER 100M OHM 500V DC  
 DIELECTRIC RESISTANCE: 2000V AC ONE MINUTE  
 PANEL THICKNESS: 0.8mm ~ 1.5mm  
 APPROVALS: UL, CSA, VDE, CCC  
 RoHS COMPLIANT

**CONTROLLED**

2	Contact Pin Brass Strip Tin-Plated	3				
1	Body Insulator Nylon Black Color	1				
Dim range (mm)		Tolerance +/- (mm)		<b>Qualtek Electronics Corp.</b> <b>PPC DIVISION</b> Part Number: <b>701W-X2/02</b> <span style="border: 1px solid green; padding: 2px;">RoHS Compliant</span>		
0-1	0.15	Description: <b>AC RECEPTACLE</b>				
1-6	0.20			UNIT: mm	REV. D	
6-18	0.30			Drawn / Date	Checked / Date	Approved / Date
18-50	0.50			B.Zhang	10-25-04	JJH / 10-25-04
50-120	0.70					
120-250	0.90					
250-500	1.20					

# Mouser Electronics

Authorized Distributor

Click to View Pricing, Inventory, Delivery & Lifecycle Information:

[Qualtek:](#)

[701W-X2/02](#)